

TMS320C3x/C4x Optimizing C Compiler User's Guide

Literature Number: SPRU034H
June 1998



IMPORTANT NOTICE

Texas Instruments (TI) reserves the right to make changes to its products or to discontinue any semiconductor product or service without notice, and advises its customers to obtain the latest version of relevant information to verify, before placing orders, that the information being relied on is current.

TI warrants performance of its semiconductor products and related software to the specifications applicable at the time of sale in accordance with TI's standard warranty. Testing and other quality control techniques are utilized to the extent TI deems necessary to support this warranty. Specific testing of all parameters of each device is not necessarily performed, except those mandated by government requirements.

Certain applications using semiconductor products may involve potential risks of death, personal injury, or severe property or environmental damage ("Critical Applications").

TI SEMICONDUCTOR PRODUCTS ARE NOT DESIGNED, INTENDED, AUTHORIZED, OR WARRANTED TO BE SUITABLE FOR USE IN LIFE-SUPPORT APPLICATIONS, DEVICES OR SYSTEMS OR OTHER CRITICAL APPLICATIONS.

Inclusion of TI products in such applications is understood to be fully at the risk of the customer. Use of TI products in such applications requires the written approval of an appropriate TI officer. Questions concerning potential risk applications should be directed to TI through a local SC sales office.

In order to minimize risks associated with the customer's applications, adequate design and operating safeguards should be provided by the customer to minimize inherent or procedural hazards.

TI assumes no liability for applications assistance, customer product design, software performance, or infringement of patents or services described herein. Nor does TI warrant or represent that any license, either express or implied, is granted under any patent right, copyright, mask work right, or other intellectual property right of TI covering or relating to any combination, machine, or process in which such semiconductor products or services might be or are used.

Read This First

About This Manual

The *TMS320C3x/C4x Optimizing C Compiler User's Guide* tells you how to use these compiler tools:

- Compiler
- Source interlist utility
- Optimizer
- Preprocessor
- Library-build utility

This compiler accepts American National Standards Institute (ANSI) standard C source code and produces assembly language source code for the TMS320C3x/4x devices.

This user's guide discusses the characteristics of the TMS320C3x/4x optimizing C compiler. It assumes that you already know how to write C programs. *The C Programming Language* (second edition), by Brian W. Kernighan and Dennis M. Ritchie, describes C based on the ANSI C standard. Use the Kernighan and Ritchie book as a supplement to this manual.

Before you can use this book, you should read the *TMS320C3x/C4x Code Generation Tools Getting Started Guide* to install the C compiler tools.

How to Use This Manual

The goal of this book is to help you learn how to use the Texas Instruments C compiler tools specifically designed for the TMS320C3x/4x devices. This book is divided into three distinct parts:

- **Introductory information**, in chapter one, provides an overview of the TMS320C3x/4x development tools.
- **Compiler description**, in chapter two, describes how to operate the C compiler and the shell program, and discusses specific characteristics of the C compiler as they relate to the ANSI C specification. It contains technical information on the TMS320C3x/4x architecture and includes information needed for interfacing assembly language to C programs. It describes libraries and header files in addition to the macros, functions, and types they declare. Finally, it describes the library-build utility.
- **Reference material**, in chapters three through six and the glossary, provides supplementary information on TMS320C3x/4x specific optimizations, and definitions of terms used in the book.

Notational Conventions

This document uses the following conventions.

- Program listings, program examples, and interactive displays are shown in a *special typeface* similar to a typewriter's. Examples use a **bold version** of the special typeface for emphasis; interactive displays use a **bold version** of the special typeface to distinguish commands that you enter from items that the system displays (such as prompts, command output, error messages, etc.).

Here is a sample program listing:

```
0011 0005 0001      .field    1, 2
0012 0005 0003      .field    3, 4
0013 0005 0006      .field    6, 3
0014 0006           .even
```

Here is an example of a system prompt and a command that you might enter:

```
C: csr -a /user/ti/simuboard/utilities
```

- In syntax descriptions, the instruction, command, or directive is in a **bold typeface** font and parameters are in an *italic typeface*. Portions of a syntax that are in **bold** should be entered as shown; portions of a syntax that are in *italics* describe the type of information that should be entered. Here is an example of a directive syntax:

.asect *"section name", address*

.asect is the directive. This directive has two parameters, indicated by *section name* and *address*. When you use .asect, the first parameter must be an actual section name, enclosed in double quotes; the second parameter must be an address.

- Square brackets ([and]) identify an optional parameter. If you use an optional parameter, you specify the information within the brackets; you don't enter the brackets themselves. Here's an example of an instruction that has an optional parameter:

LALK *16-bit constant [, shift]*

The LALK instruction has two parameters. The first parameter, *16-bit constant*, is required. The second parameter, *shift*, is optional. As this syntax shows, if you use the optional second parameter, you must precede it with a comma.

Square brackets are also used as part of the pathname specification for VMS pathnames; in this case, the brackets are actually part of the pathname (they are not optional).

- Braces ({ and }) indicate a list. The symbol | (read as *or*) separates items within the list. Here's an example of a list:

{ * | *+ | *- }

This provides three choices: *, *+, or *-.

Unless the list is enclosed in square brackets, you must choose one item from the list.

- Some directives can have a varying number of parameters. For example, the .byte directive can have up to 100 parameters. The syntax for this directive is:

.byte *value₁ [, ... , value_n]*

This syntax shows that .byte must have at least one value parameter, but you have the option of supplying additional value parameters, separated by commas.

Related Documentation From Texas Instruments

The following books describe the TMS320C3x/C4x and related support tools. To obtain a copy of any of these TI documents, call the Texas Instruments Literature Response Center at (800) 477–8924. When ordering, please identify the book by its title and literature number.

TMS320C3x/C4x Code Generation Tools Getting Started Guide (literature number SPRU119) describes how to install the TMS320C3x/C4x assembly language tools and the C compiler. Installation instructions are included for MS-DOS™, Windows™ 3.x, Windows NT, Windows 95, SunOS™, Solaris, and HP-UX™ systems.

TMS320C3x/C4x Assembly Language Tools User's Guide (literature number SPRU035) describes the assembly language tools (assembler, linker, and other tools used to develop assembly language code), assembler directives, macros, common object file format, and symbolic debugging directives for the 'C3x and 'C4x generations of devices.

TMS320C3x C Source Debugger User's Guide (literature number SPRU053) tells you how to invoke the 'C3x emulator, evaluation module, and simulator versions of the C source debugger interface. This book discusses various aspects of the debugger interface, including window management, command entry, code execution, data management, and breakpoints. It also includes a tutorial that introduces basic debugger functionality.

TMS320C4x C Source Debugger User's Guide (literature number SPRU054) tells you how to invoke the 'C4x emulator and simulator versions of the C source debugger interface. This book discusses various aspects of the debugger interface, including window management, command entry, code execution, data management, and breakpoints. It also includes a tutorial that introduces basic debugger functionality.

TMS320C3x User's Guide (literature number SPRU031) describes the 'C3x 32-bit floating-point microprocessor (developed for digital signal processing as well as general applications), its architecture, internal register structure, instruction set, pipeline, specifications, and DMA and serial port operation. Software and hardware applications are included.

TMS320C32 Addendum to the TMS320C3x User's Guide (literature number SPRU132) describes the TMS320C32 floating-point microprocessor (developed for digital signal processing as well as general applications). Discusses its architecture, internal register structure, specifications, and DMA and serial port operation. Hardware applications are also included.

TMS320C4x User's Guide (literature number SPRU063) describes the 'C4x 32-bit floating-point processor, developed for digital signal processing as well as parallel processing applications. Covered are its architecture, internal register structure, instruction set, pipeline, specifications, and operation of its six DMA channels and six communication ports.

Parallel Processing with the TMS320C4x (literature number SPRA031) describes parallel processing and how the 'C4x can be used in parallel processing. Also provides sample parallel processing applications.

TMS320C4x General-Purpose Applications User's Guide (literature number SPRU159) describes software and hardware applications for the 'C4x processor. Also includes development support information, parts lists, and XDS510 emulator design considerations.

TMS320C30 Evaluation Module Technical Reference (literature number SPRU069) describes board-level operation of the TMS320C30 evaluation module.

Digital Signal Processing Applications With the TMS320C30 Evaluation Module Selected Application Notes (literature number SPRA021) contains useful information for people who are preparing and debugging code. The book gives additional information about the TMS320C30 evaluation module, as well as C coding tips.

TMS320 DSP Development Support Reference Guide (literature number SPRU011) describes the TMS320 family of digital signal processors and the tools that support these devices. Included are code-generation tools (compilers, assemblers, linkers, etc.) and system integration and debug tools (simulators, emulators, evaluation modules, etc.). Also covered are available documentation, seminars, the university program, and factory repair and exchange.

TMS320 DSP Designer's Notebook: Volume 1 (literature number SPRT125) presents solutions to common design problems using 'C2x, 'C3x, 'C4x, 'C5x, and other TI DSPs.

TMS320 Third-Party Support Reference Guide (literature number SPRU052) alphabetically lists over 100 third parties that provide various products that serve the family of TMS320 digital signal processors. A myriad of products and applications are offered—software and hardware development tools, speech recognition, image processing, noise cancellation, modems, etc.

Related Documentation

The C Programming Language (second edition), by Brian W. Kernighan and Dennis M. Ritchie, published by Prentice-Hall, Englewood Cliffs, New Jersey, 1988, describes ANSI C. You can use it as a reference.

You may find these documents helpful as well:

Advanced C: Techniques and Applications, Sobelman, Gerald E., and David E. Krekelberg, Que Corporation

American National Standards Institute C Specification, American National Standard for Information Systems—Programming Language C x3.159–1989 (ANSI standard for C)

Programming in C, Kochan, Steve G., Hayden Book Company

Understanding and Using COFF, Gircys, Gintaras R., published by O'Reilly and Associates, Inc

Trademarks

HP-UX is a trademark of Hewlett-Packard Company.

MS-DOS is a registered trademark of Microsoft Corporation.

PC-DOS is a trademark of International Business Machines Corporation.

Solaris is a trademark of Sun Microsystems, Inc.

SunOS is a trademark of Sun Microsystems, Inc.

UNIX is a registered trademark in the United States and other countries, licensed exclusively through X/Open Company Limited.

XDS is a trademark of Texas Instruments Incorporated.

If You Need Assistance . . .**World-Wide Web Sites**

TI Online	http://www.ti.com
Semiconductor Product Information Center (PIC)	http://www.ti.com/sc/docs/pic/home.htm
DSP Solutions	http://www.ti.com/dsps
320 Hotline On-line™	http://www.ti.com/sc/docs/dsps/support.htm

North America, South America, Central America

Product Information Center (PIC)	(972) 644-5580	
TI Literature Response Center U.S.A.	(800) 477-8924	
Software Registration/Upgrades	(214) 638-0333	Fax: (214) 638-7742
U.S.A. Factory Repair/Hardware Upgrades	(281) 274-2285	
U.S. Technical Training Organization	(972) 644-5580	
DSP Hotline	(281) 274-2320	Fax: (281) 274-2324 Email: dsph@ti.com
DSP Modem BBS	(281) 274-2323	
DSP Internet BBS via anonymous ftp to ftp://ftp.ti.com/pub/tms320bbs		

Europe, Middle East, Africa

European Product Information Center (EPIC) Hotlines:		
Multi-Language Support	+33 1 30 70 11 69	Fax: +33 1 30 70 10 32
Email: epic@ti.com		
Deutsch	+49 8161 80 33 11 or +33 1 30 70 11 68	
English	+33 1 30 70 11 65	
Francais	+33 1 30 70 11 64	
Italiano	+33 1 30 70 11 67	
EPIC Modem BBS	+33 1 30 70 11 99	
European Factory Repair	+33 4 93 22 25 40	
Europe Customer Training Helpline		Fax: +49 81 61 80 40 10

Asia-Pacific

Literature Response Center	+852 2 956 7288	Fax: +852 2 956 2200
Hong Kong DSP Hotline	+852 2 956 7268	Fax: +852 2 956 1002
Korea DSP Hotline	+82 2 551 2804	Fax: +82 2 551 2828
Korea DSP Modem BBS	+82 2 551 2914	
Singapore DSP Hotline		Fax: +65 390 7179
Taiwan DSP Hotline	+886 2 377 1450	Fax: +886 2 377 2718
Taiwan DSP Modem BBS	+886 2 376 2592	
Taiwan DSP Internet BBS via anonymous ftp to ftp://dsp.ee.tit.edu.tw/pub/TI/		

Japan

Product Information Center	+0120-81-0026 (in Japan)	Fax: +0120-81-0036 (in Japan)
	+03-3457-0972 or (INTL) 813-3457-0972	Fax: +03-3457-1259 or (INTL) 813-3457-1259
DSP Hotline	+03-3769-8735 or (INTL) 813-3769-8735	Fax: +03-3457-7071 or (INTL) 813-3457-7071
DSP BBS via Nifty-Serve	Type "Go TIASP"	

Documentation

When making suggestions or reporting errors in documentation, please include the following information that is on the title page: the full title of the book, the publication date, and the literature number.

Mail: Texas Instruments Incorporated	Email: dsph@ti.com
Technical Documentation Services, MS 702	
P.O. Box 1443	
Houston, Texas 77251-1443	

Note: When calling a Literature Response Center to order documentation, please specify the literature number of the book.

Contents

1	Introduction	1-1
	<i>Provides an overview of the TMS320C3x/4x software development tools</i>	
1.1	Software Development Tools Overview	1-2
1.2	TMS320C3x/C4x C Compiler Overview	1-5
2	C Compiler Description	2-1
	<i>Describes how to operate the C compiler and the cl30 shell program. Contains instructions for invoking the shell program, which compiles, assembles, and links a C source file, and for invoking the individual compiler components, such as the optimizer. Discusses the interlist utility, file-name specifications, compiler options, compiler errors, and use of the linker and archiver with the compiler</i>	
2.1	Compiling C Code	2-2
2.1.1	Invoking the C Compiler	2-3
2.1.2	Specifying Filenames	2-4
2.1.3	Compiler Options	2-5
2.1.4	Using the C_OPTION Environment Variable	2-28
2.1.5	Using the TMP Environment Variable	2-28
2.2	Controlling the Preprocessor	2-30
2.2.1	Predefined Names	2-31
2.2.2	#include File Search Paths	2-32
2.2.3	Generating a Preprocessed Listing File (-pl, -pn, -po Options)	2-34
2.3	Using Runtime Models	2-35
2.3.1	The Big and Small Memory Models	2-36
2.3.2	The Register-Argument and Standard Models	2-37
2.4	Using the C Compiler Optimizer	2-38
2.4.1	Optimization Levels	2-39
2.4.2	Definition Controlled Inline Expansion Option (-x Option)	2-40
2.4.3	Using the Optimizer with the Interlist Option (-os option)	2-40
2.4.4	Debugging Optimized Code	2-40
2.4.5	Special Considerations When Using the Optimizer	2-41
2.5	Function Inlining	2-43
2.5.1	Controlling Inline Expansion (-x Option)	2-45
2.5.2	Automatic Inline Expansion Option (-oysize Option)	2-45
2.5.3	_INLINE Preprocessor Symbol	2-46
2.6	Using the Interlist Utility	2-49

2.6.1	Using the Interlist Utility Without the Optimizer	2-49
2.6.2	Using the Interlist Utility With the Optimizer	2-50
2.7	How the Compiler Handles Errors	2-51
2.7.1	Treating Code-E Errors as Warnings (-pe Option)	2-52
2.7.2	Suppressing Warning Messages (-pw Option)	2-52
2.7.3	An Example of How You Can Use Error Options	2-53
2.8	Intrinsics	2-54
2.9	Invoking the Tools Individually	2-56
2.9.1	Invoking the Parser	2-57
2.9.2	Optimizing Parser Output	2-59
2.9.3	Invoking the Code Generator	2-62
2.9.4	Invoking the Interlist Utility	2-64
2.10	Linking C Code	2-65
2.10.1	Invoking the Linker	2-65
2.10.2	Using the Shell to Invoke the Linker (-z Option)	2-66
2.10.3	Controlling the Linking Process	2-68
3	TMS320C3x/C4x C Language	3-1
	<i>Discusses the specific characteristics of the TMS320C3x/C4x C compiler as they relate to the ANSI C specification</i>	
3.1	Characteristics of TMS320C3x/C4x C	3-2
3.2	Data Types	3-4
3.2.1	The Long Double Data Type	3-5
3.3	Keywords	3-7
3.3.1	The cregister Keyword	3-7
3.3.2	The near and far Keywords	3-8
3.4	Register Variables	3-10
3.5	Pragma Directives	3-11
3.5.1	The CODE_SECTION Pragma	3-12
3.5.2	The DATA_SECTION Pragma	3-13
3.5.3	The FUNC_CANNOT_INLINE Pragma	3-13
3.5.4	The FUNC_EXT_CALLED Pragma	3-14
3.5.5	The FUNC_IS_PURE Pragma	3-14
3.5.6	The FUNC_IS_SYSTEM Pragma	3-15
3.5.7	The FUNC_NEVER_RETURNS Pragma	3-15
3.5.8	The FUNC_NO_GLOBAL_ASG Pragma	3-15
3.5.9	The FUNC_NO_IND_ASG Pragma	3-16
3.5.10	The INTERRUPT Pragma	3-16
3.6	The asm Statement	3-17
3.7	Initializing Static and Global Variables	3-18
3.8	Far Call Support	3-20
3.9	Delay Slot Filling for Branches	3-21
3.10	Compatibility With K&R C (-pk Option)	3-22
3.11	Compiler Limits	3-24

4	Runtime Environment	4-1
	<i>Contains technical information on how the compiler uses the TMS320C3x/C4x architecture. Discusses memory and register conventions, stack organization, function-call conventions, system initialization, and TMS320C3x/C4x C compiler optimizations. Provides information needed for interfacing assembly language to C programs</i>	
4.1	Memory Model	4-2
4.1.1	Sections	4-2
4.1.2	C System Stack	4-3
4.1.3	Dynamic Memory Allocation	4-4
4.1.4	Big and Small Memory Models	4-5
4.1.5	RAM and ROM Models	4-6
4.2	Object Representation	4-7
4.2.1	Data Type Storage	4-7
4.2.2	Long Immediate Values	4-7
4.2.3	Addressing Global Variables	4-7
4.2.4	Character String Constants	4-8
4.2.5	The Constant Table	4-9
4.3	Register Conventions	4-11
4.3.1	Register Variables	4-12
4.3.2	Expression Registers	4-12
4.3.3	Return Values	4-13
4.3.4	Stack and Frame Pointers	4-13
4.3.5	Other Registers	4-14
4.4	Function Structure and Calling Conventions	4-15
4.4.1	Function Call, Standard Runtime Model	4-16
4.4.2	Function Call, Register Argument Runtime Model	4-17
4.4.3	Responsibilities of a Called Function	4-19
4.4.4	Accessing Arguments and Local Variables	4-21
4.5	Interfacing C With Assembly Language	4-22
4.5.1	Assembly Language Modules	4-22
4.5.2	Accessing Assembly Language Variables From C	4-25
4.5.3	Inline Assembly Language	4-28
4.6	Interrupt Handling	4-30
4.6.1	Saving Registers During Interrupts	4-30
4.6.2	Assembly Language Interrupt Routines	4-31
4.7	Runtime-Support Arithmetic Routines	4-32
4.7.1	Precision Considerations	4-35
4.8	System Initialization	4-36
4.8.1	Autoinitialization of Variables and Constants	4-36
5	Runtime-Support Functions	5-1
	<i>Describes the header files included with the C compiler, as well as the macros, functions, and types they declare. Summarizes the runtime-support functions according to category (header), and provides an alphabetical reference of the runtime-support functions</i>	
5.1	Runtime-Support Libraries	5-2

5.1.1	Modifying a Library Function	5-3
5.1.2	Building a Library With Different Options	5-3
5.2	Header Files	5-4
5.2.1	Diagnostic Messages (assert.h)	5-4
5.2.2	Character-Typing and Conversion (ctype.h)	5-5
5.2.3	Error Reporting (errno.h)	5-5
5.2.4	Low-Level I/O Functions (file.h)	5-5
5.2.5	Limits (float.h and limits.h)	5-6
5.2.6	Floating-Point Math (math.h)	5-8
5.2.7	Nonlocal Jumps (setjmp.h)	5-8
5.2.8	Variable Arguments (stdarg.h)	5-8
5.2.9	Standard Definitions (stddef.h)	5-9
5.2.10	stdio.h—I/O Functions	5-9
5.2.11	General Utilities (stdlib.h)	5-10
5.2.12	String Functions (string.h)	5-11
5.2.13	Time Functions (time.h)	5-11
5.3	Summary of Runtime-Support Functions and Macros	5-13
5.4	Functions Reference	5-21
6	Library-Build Utility	6-1
	<i>Describes the utility that custom-makes runtime-support libraries for the options used to compile code. This utility can also be used to install header files in a directory and to create custom libraries from source archives</i>	
6.1	Invoking the Library-Build Utility	6-2
6.2	Options Summary	6-4
A	Description of Compiler Optimizations	A-1
	<i>Describes general optimizations that improve any C code and specific optimizations designed especially for the TMS320C3x/C4x architecture</i>	
B	The C I/O Functions	B-1
	<i>Describes the C I/O library included with the C compiler.</i>	
B.1	Using the I/O Functions	B-2
B.2	Overview of Low-Level I/O Implementation	B-3
B.3	Adding a Device For C I/O	B-5
C	Glossary	C-1
	<i>Defines terms and acronyms used in this book</i>	
D	Summary of Updates in This Document	D-1
	<i>Provides a summary of the updates in this version of the document</i>	
3.1	Keywords	D-3
3.1.1	The cregister Keyword	D-3
3.3.2	The near and far Keywords	D-4

Figures

1-1	TMS320C3x/C4x Software Development Flow	1-2
2-1	The cl30 Shell Program Overview	2-2
2-2	Compiling a C Program with the Optimizer	2-38
2-3	Compiler Overview	2-56
2-4	Sample Linker Command File for TMS320C3x C Programs	2-72
2-5	Sample Linker Command File for TMS320C4x C Programs	2-73
4-1	Stack Use During a Function Call	4-16
4-2	Register Argument Conventions	4-17
4-3	Format of Initialization Records in the .cinit Section	4-37
4-4	RAM Model of Autoinitialization	4-39
4-5	ROM Model of Autoinitialization	4-40
B-1	Interaction of Data Structures in I/O Functions	B-3
B-2	The First Three Streams in the Stream Table	B-4

Tables

2-1	Compiler Options Summary Table	2-6
2-2	Predefined Macro Names	2-31
2-3	Supported Intrinsic Functions	2-54
2-4	Parser Options and Shell Options	2-58
2-5	Optimizer Options and Shell Options	2-61
2-6	Code Generator Options and Shell Options	2-63
2-7	Sections Created by the Compiler	2-70
3-1	TMS320C3x/C4x C Data Types	3-4
3-2	Valid Control Registers	3-7
3-3	Absolute Compiler Limits	3-25
4-1	Register Use and Preservation Conventions	4-11
4-2	Registers Reserved for Register Variables	4-12
4-3	Runtime-Support Functions Using Modified Calling Convention	4-19
4-4	Summary of Runtime-Support Arithmetic Functions	4-34
5-1	Macros That Supply Integer Type Range Limits (limits.h)	5-6
5-2	Macros That Supply Floating-Point Range Limits (float.h)	5-7

Examples

2-1	How the Runtime Support Library Uses the <code>_INLINE</code> Symbol	2-47
2-2	An Interlisted Assembly Language File	2-49
3-1	Define and Use Control Registers	3-8
3-2	Using the <code>CODE_SECTION</code> Pragma	3-12
3-3	Using the <code>DATA_SECTION</code> Pragma	3-13
4-1	An Assembly Language Function Called From C	4-25
4-2	Accessing a Variable Defined in <code>.bss</code> From C	4-26
4-3	Accessing a Variable Not Defined in <code>.bss</code> From C	4-27
4-4	Accessing an Assembly Language Constant From C	4-28
A-1	Register Variables and Register Tracking/Targeting	A-3
A-2	Repeat Blocks, Autoincrement Addressing, Parallel Instructions, Strength Reduction, Induction Variable Elimination, Register Variables, and Loop Test Replacement	A-5
A-3	TMS320C3x/C4x Delayed Branch Instructions	A-6
A-4	TMS320C4x-Specific Features	A-8
A-5	Data-Flow Optimizations	A-11
A-6	Copy Propagation and Control-Flow Simplification	A-13
A-7	Loop Unrolling	A-14
A-8	Inline Function Expansion, part one	A-15
A-9	Inline Function Expansion, part two	A-16

Notes, Cautions, and Warnings

Size Restrictions on Small Model are not Tested	2-36
All Functions Must Be Prototyped	2-37
Files That Redefine Standard Library Functions	2-40
Symbolic Debugging and Optimized Code	2-41
Function Inlining May Greatly Increase Code Size	2-44
A TMS320C3x/C4x Byte Is 32 Bits	3-5
Avoid Disrupting the C Environment With asm Statements	3-17
The Linker Defines the Memory Map	4-2
Stack Overflow	4-4
Avoid Locals and Arguments With Large Offsets	4-21
Assembler Support for Runtime Models	4-22
Use the -mf Option When Using the Optimizer	4-27
Avoid Disrupting the C Environment With asm Statements	4-29
Initializing Variables	4-37
Variable-Argument Functions Must Have Prototypes	5-8
Writing Your Own Clock Function	5-33
Accessing Objects After Calling the minit Function	5-51
Writing Your Own Time Function	5-76
Use Unique Function Names	B-5

Introduction

The TMS320 family of digital signal processors (DSPs) combines the high performance required in DSP applications with special features for these applications.

The TMS320C3x/C4x DSPs are fully supported by a complete set of code generation tools including an optimizing C compiler, an assembler, a linker, an archiver, a software simulator, a full-speed emulator, and a software development board.

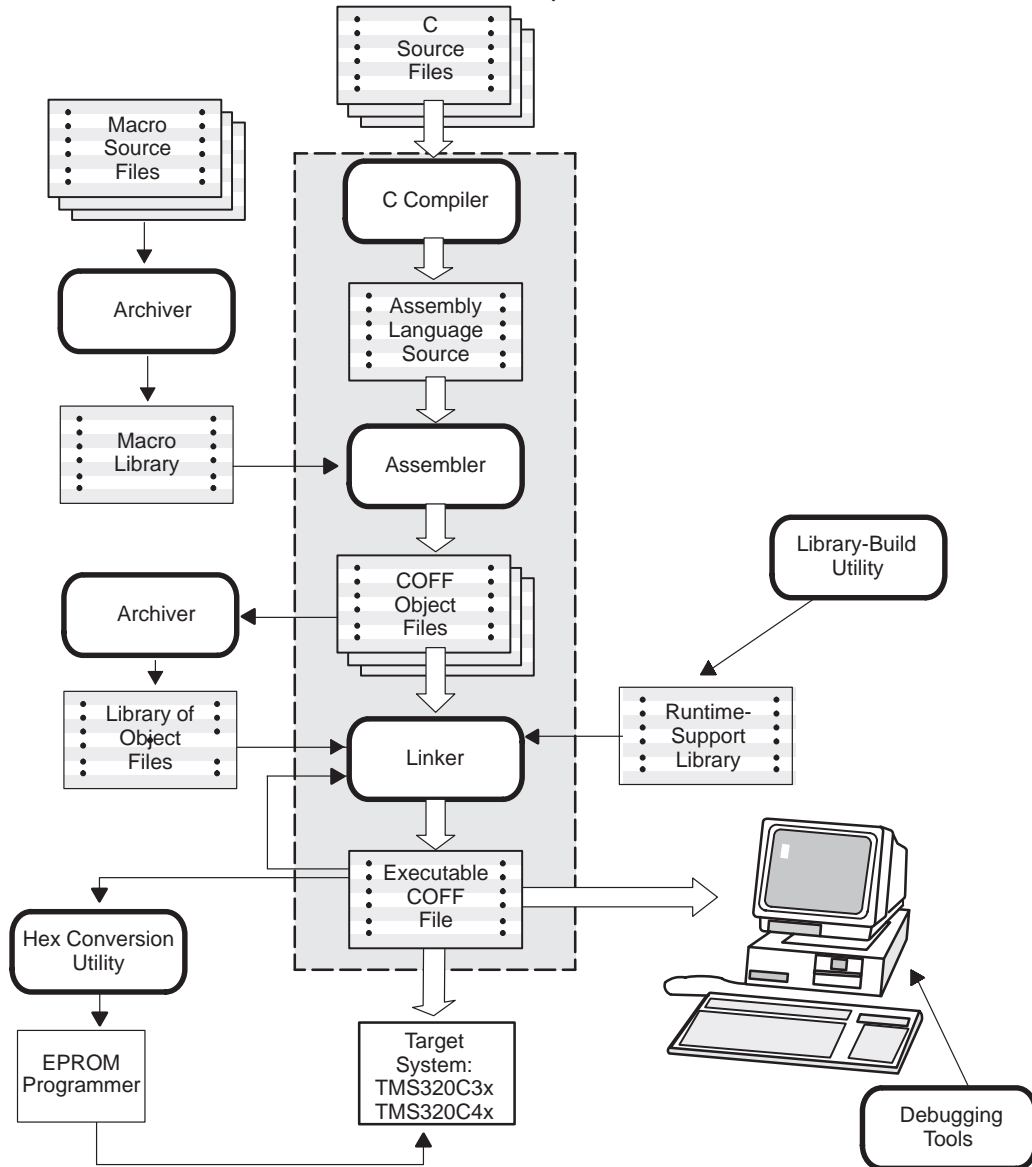
This chapter provides an overview of these tools and introduces the features of the optimizing C compiler. The assembler and linker are discussed in detail in the *TMS320C3x/C4x Assembly Language Tools User's Guide*.

Topic	Page
1.1 Software Development Tools Overview	1-2
1.2 TMS320C3x/C4x C Compiler Overview	1-5

1.1 Software Development Tools Overview

Figure 1–1 illustrates the TMS320C3x/C4x software development flow. The shaded portion of the figure highlights the most common path of software development; the other portions are optional.

Figure 1–1. TMS320C3x/C4x Software Development Flow



The following list describes the tools that are shown in Figure 1–1:

- The **C compiler** accepts C source code and produces TMS320C3x or TMS320C4x assembly language source code. A **shell program (cl30)**, an **optimizer (opt30)**, and an **interlist utility (clist)** are included in the compiler package.
 - The shell program enables you to automatically compile, assemble, and link source modules.
 - The optimizer modifies code to improve the efficiency of C programs.
 - The interlist utility interlists C source statements with assembly language output.

Chapter 2 describes how to invoke and operate the compiler, the shell, the optimizer, and the interlist utility.

- The **assembler** translates assembly language source files into machine language object files. The machine language is based on common object file format (COFF). The *TMS320C3x/C4x Assembly Language Tools User's Guide* explains how to use the assembler.
- The **linker (lnk30)** combines object files into a single executable object module. As it creates the executable module, it performs relocation and resolves external references. The linker accepts relocatable COFF object files and object libraries as input.
- The **archiver (ar30)** allows you to collect a group of files into a single archive file, called a *library*. It also allows you to modify a library by deleting, replacing, extracting, or adding members. One of the most useful applications of the archiver is building a library of object modules.
- Eight object libraries are shipped with the C compiler. These libraries contain ANSI-standard runtime support functions and compiler-utility functions for the TMS320C3x and TMS320C4x. See Section 2.3 for a description of these libraries.
- Use the **library-build utility (mk30)**, to build your own customized runtime-support library. Standard runtime-support library functions are provided as source code.
 - **rts.src** contains standard runtime functions for the TMS320C3x/C4x processors.
 - **mathasm.src** contains assembly language source for trigonometric functions
 - **prts30.src** contains C and assembly language routines for handling peripherals/interrupts for 'C3x devices

- **prts40.src** contains C and assembly language routines for handling peripherals and interrupts for 'C4x devices
- The **hex conversion utility (hex30)** converts a COFF object file into ASCII-hex, Intel, Motorola-S, TI-Tagged, or Tektronix object format. The converted file can be downloaded to an EPROM programmer. The *TMS320C3x/C4x Assembly Language Tools User's Guide* explains how to use the hex conversion utility.

The main purpose of this development process is to produce a module that can be executed in a **TMS320C3x/C4x target system**. You can use one of several debugging tools to refine and correct your code before downloading it to a TMS320C3x/C4x target system. These debugging platforms share a common screen-oriented interface that allows you to display machine status information, inspect and modify C variables, display C source code, and monitor the execution of your program as it runs on the debugging platform. Available debugging tools include:

- An instruction-accurate software **simulator** that simulates the TMS320C3x/C4x functions. The simulator executes linked COFF object modules.
- An **XDS (extended development system) emulator**, which is a PC-resident, real-time, in-circuit emulator that features the same screen-oriented interface as the simulator
- An **EVM (evaluation module)**, which is a plug-in PC board that contains a target CPU, such as a C30, that can be used to evaluate CPU performance

1.2 TMS320C3x/C4x C Compiler Overview

The TMS320C3x/C4x C compiler is a full-featured optimizing compiler that translates standard ANSI C programs into TMS320C3x/C4x assembly language source. The following list describes key features of the compiler:

ANSI Standard C

The TMS320C3x/C4x compiler fully conforms to the ANSI C standard as defined by the ANSI specification and described in Kernighan and Ritchie's *The C Programming Language* (second edition). The ANSI standard includes recent extensions to C that are now standard features of the language. These extensions provide maximum portability and increased capability.

Optimization

The compiler uses a sophisticated optimization pass that employs several advanced techniques for generating efficient, compact code from C source. General optimizations can be applied to any C code, and TMS320C3x/C4x-specific optimizations take advantage of the particular features of the TMS320C3x/C4x architecture. For more information about the C compiler's optimization techniques, refer to Section 2.4 on page 2-38 and to Appendix A.

ANSI Standard Runtime Support

The compiler package comes with eight complete runtime libraries. All library functions conform to the ANSI C library standard. The libraries include functions for string manipulation, dynamic memory allocation, data conversion, timekeeping, and trigonometry, plus exponential and hyperbolic functions. Functions for I/O and signal handling are not included, because these are target-system specific. For more information, refer to Chapter 5.

Assembly Source Output

The compiler generates assembly language source that is easily inspected, enabling you to see the code generated from the C source files.

Big and Small Memory Models

The compiler supports two memory models. The small memory model enables the compiler to efficiently access memory by restricting the global data space to a single 64K-word data page. The big memory model allows unlimited data space. For more information, refer to subsection 2.3.1 on page 2-36.

Compiler Shell Program

The compiler package includes a shell program, which enables you to compile, assemble, and link programs in a single step. For more information, refer to Section 2.1 on page 2-2.

Flexible Assembly Language Interface

The compiler has straightforward calling conventions, allowing you to easily write assembly and C functions that call each other. For more information, refer to Chapter 4, *Runtime Environment*.

Integrated Preprocessor

The C preprocessor is integrated with the parser, allowing for faster compilation. Standalone preprocessing or preprocessed listing is also available. For more information, refer to Section 2.2 on page 2-30.

COFF Object Files

Common object file format (COFF) allows you to define your system's memory map at link time. This maximizes performance by enabling you to link C code and data objects into specific memory areas. COFF also provides rich support for source-level debugging.

ROM-able Code

For standalone embedded applications, the compiler enables you to link all code and initialization data into ROM, allowing C code to run from reset.

Source Interlist Utility

The compiler package includes a utility (clist) that interlists your original C source statements into the assembly language output of the compiler. This utility provides you with an easy method for inspecting the assembly code generated for each C statement. For more information, refer to Section 2.6 on page 2-49.

32-Bit and 40-Bit Data Sizes

Data sizes char, short, int, long, float, and double are 32 bits. Data size long double is 40 bits. This allows all types of data to take full advantage of the TMS320C3x/C4x integer and floating-point arithmetic capabilities. For more information, refer to Section 3.2 on page 3-4.

Library-Build Utility

A library-build utility called *mk30* allows you to easily custom-build object libraries from source for any combination of runtime models or target CPUs.

C Compiler Description

Translating your source program into code that the TMS320C3x/C4x can execute is a process consisting of several steps. You must compile, assemble, and link your source files to create an executable object file. The TMS320C3x/C4x package contains a special cl30 shell program that enables you to execute all of these steps with one command. This chapter provides a complete description of how to use the shell program to compile, assemble, and link your programs.

The TMS320C3x/C4x C compiler includes an optimizer that allows you to produce highly optimized code. The optimizer is explained in Section 2.4.

The compiler package also includes a utility that interlists your original C source statements into the compiler's assembly language output. This enables you to inspect the assembly language code generated for each C statement. The interlist utility is explained in Section 2.6.

This chapter includes the following topics:

Topic	Page
2.1 Compiling C Code	2-2
2.2 Controlling the Preprocessor	2-30
2.3 Using Runtime Models	2-35
2.4 Using the C Compiler Optimizer	2-38
2.5 Function Inlining	2-43
2.6 Using the Interlist Utility	2-49
2.7 How the Compiler Handles Errors	2-51
2.8 Intrinsic	2-54
2.9 Invoking the Tools Individually	2-56
2.10 Linking C Code	2-65

2.1 Compiling C Code

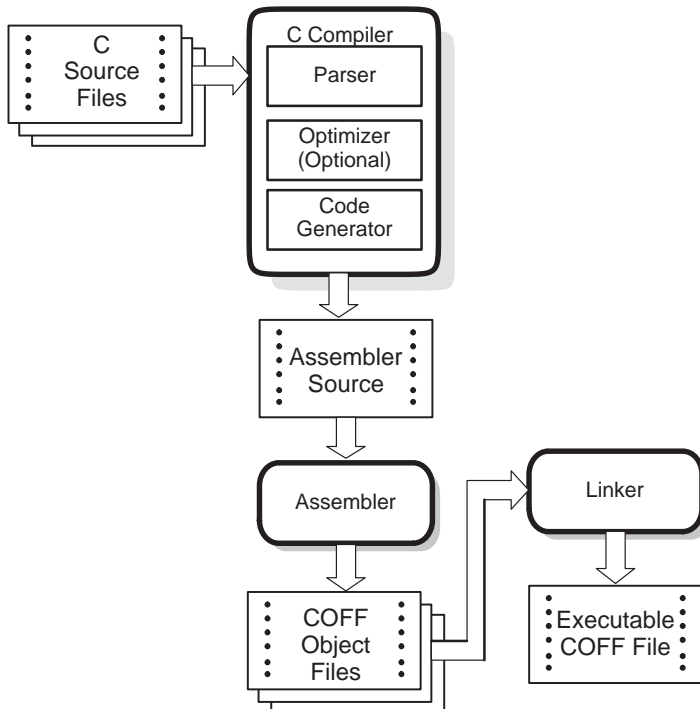
The `cl30` shell program is a utility that lets you compile, assemble, and optionally link in one step. The shell runs one or more source modules through the following:

- The **compiler** which includes the parser, the optimizer, and the code generator.
- The **assembler** which generates a COFF object file.
- The **linker** (optional) which links your files to create an executable object file. The linker can be invoked as part of the larger process, or you can compile and assemble various files with the shell and link at a later time.

For more information about the floating-point assembler and linker, refer to the *TMS320C3x/C4x Assembly Language Tools User's Guide*.

By default, the shell compiles and assembles files; however, if you use the `-z` option, the shell also links your files. Figure 2–1 illustrates the path the shell takes with and without the `-z` option.

Figure 2–1. The `cl30` Shell Program Overview



2.1.1 Invoking the C Compiler

To run the compiler, enter:

```
cl30 [-options] [filenames] [-z [link_options] [object files]]
```

cl30	is the command that invokes the compiler and the assembler.
<i>-options</i>	affect the way the compiler processes input files.
<i>filenames</i>	are one or more C source files, assembly source files, or object files.
-z	is the option that runs the linker.
<i>link_options</i>	control the linking process.
<i>object files</i>	name the object files that the compiler creates.

Options control how the compiler processes files, and the filenames provide a method of identifying source files, intermediate files, and output files. Options and filenames can be specified in any order on the command line. However, the **-z** option and its associated information must follow all filenames and compiler options on the command line. For example, if you wanted to compile two files named *symtab* and *file*, assemble a third file named *seek.asm*, and use the quiet option (**-q**), you would enter:

```
cl30 -q symtab file seek.asm
```

As **cl30** encounters each source file, it prints the filename in square brackets [for C files] or angle brackets <for asm files>. The example above uses the **-q** option to suppress the additional progress information that **cl30** produces. Entering the command above produces:

```
[symtab]
[file]
<seek.asm>
```

The normal progress information consists of a banner for each compiler pass and the names of functions as they are defined. The example below shows the output from compiling a single module *without* the `-q` option.

```

$ c130 symtab
[symtab]
TMS320C3x/4x ANSI C Compiler           Version x.xx
Copyright (c) 1987-1997, Texas Instruments Incorporated
  "symtab.c"::=>  main
  "symtab.c"::=>  lookup
TMS320C3x/4x ANSI C Codegen           Version x.xx
Copyright (c) 1987-1997, Texas Instruments Incorporated
  "symtab.c"::=>  main
  "symtab.c"::=>  lookup
TMS320C3x/4x COFF Assembler           Version x.xx
Copyright (c) 1987-1997, Texas Instruments Incorporated
  PASS 1
  PASS 2

No Errors, No Warnings

```

2.1.2 Specifying Filenames

The input files specified on the command line can be C source files, assembly source files, or object files. The shell uses filename extensions to determine the file type.

Extension	File Type
<code>.asm</code> , <code>.abs</code> , or <code>.s*</code> (extension begins with s)	assembly language source file
<code>.c</code> or no extension	C source file
<code>.o*</code> (extension begins with o)	object file

Files without extensions are assumed to be C source files, and a `.c` extension is assumed.

You can use the `-e` option to change these default extensions, causing the shell to associate different extensions with assembly source files or object files. You can also use the `-f` option on the command line to override these file type interpretations for individual files. For more information about the `-e` and `-f` options, refer to page 2-14.

The conventions for filename extensions allow you to compile C files and assemble assembly files with a single command, as shown in the example on page 2-3.

You can use wildcard filename specifications to compile multiple files. Wildcard specifications vary by system; use the appropriate form.

To compile all the files in a directory that have a `.c` extension (by default, all C files), enter the following (DOS system):

```
c130 *.c
```

2.1.3 Compiler Options

Command line options control the operation of both the shell and the programs it runs. This section provides a description of option conventions, an option summary table, and a detailed description of each of the options.

Compiler options:

- Consist of single letters or letter groupings
- Are not case sensitive
- Are preceded by a hyphen
- Can be combined if there are single-letter options without parameters: for example, `-sgq` is equivalent to `-s -g -q`.
- Can be combined if two-letter pair options without parameters have the same first letter: for example, `-mr` and `-mb` can be combined as `-mrb`.
- Cannot be combined in a grouping that contains a two-letter pair option and a single-letter option. For example, `-mrq` is invalid, because it would be parsed as `-mr` and `-mq`.
- Cannot be combined with other options if they have parameters, such as `-uname` and `-idir`.

You can set up default options for the shell by using the `C_OPTION` environment variable. For a detailed description of the `C_OPTION` environment variable, refer to subsection 2.1.4, *Using the C_OPTION Environment Variable*, on page 2-28.

Table 2-1 summarizes all compiler options. The table is followed by in-depth descriptions of each of the options.

Table 2–1. Compiler Options Summary Table

General Shell Options	Option	Effect
These options control the overall operation of the cl30 shell. For more information, see page 2-12.	<code>-@filename</code>	causes the compiler shell to read options from the specified file
	<code>-c</code>	no linking (negates <code>-z</code>)
	<code>-dname[=def]</code>	predefine a constant
	<code>-g</code>	enable symbolic debugging
	<code>-idir</code>	define #include search path
	<code>-k</code>	keep .asm file
	<code>-msrevx</code>	specifies the silicon revision of the target chip to enable additional functionality for more recent silicon releases. Used in conjunction with <code>-v</code> flag. Example: <code>-msrev6 -v31</code> : enable new (1996) 'C31 parallel instructions <code>-msrev2 -v32</code> : enable new (1996) 'C32 parallel instructions
	<code>-n</code>	compile only (create .asm file)
	<code>-q</code>	suppress progress messages (quiet)
	<code>-qq</code>	suppress all messages (super quiet)
	<code>-s</code>	interlist optimizer comments and assembly source statements if available; otherwise interlist C and assembly source statements
	<code>-ss</code>	interlist C and assembly source statements
	<code>-uname</code>	undefine a constant
	<code>-vxx</code>	specify processor; <code>xx</code> = 30, 31, 32, 40, or 44 (default is <code>-v30</code>) (see also <code>-msrev</code>)
	<code>-z</code>	enable linking (all options following are passed to linker)

Table 2–1. Compiler Options Summary Table (Continued)

File Specifiers	Option	Effect
These options use the extensions of each file-name to determine how to process the file. For more information, see page 2-14.	<code>-ea</code>	set default extension for assembly files
	<code>-eo</code>	set default extension for object files
	<code>-fa file</code>	identify assembly language file (default for <code>.asm</code> or <code>.s*</code>)
	<code>-fc file</code>	identify C source file (default for <code>.c</code> or no extension)
	<code>-fo file</code>	identify object file (default for <code>.o*</code>)
	<code>-fr dir</code>	specify object file directory
	<code>-fs dir</code>	specify assembly file directory
	<code>-ft</code>	override TMP environment variable
Parser Options	Option	Effect
These options control the preprocessing, syntax-checking, and error-handling behavior of the compiler. For more information, see page 2-16.	<code>-pe</code>	treat code-E errors as warnings
	<code>-pf</code>	generate prototypes for functions
	<code>-pk</code>	allow compatibility with pre-ANSI K&R C
	<code>-pl</code>	generate preprocessed listing (<code>.pp</code>) file
	<code>-pm</code>	combines source files to perform program-level optimization
	<code>-pn</code>	suppress <code>#line</code> directives in <code>.pp</code> file
	<code>-po</code>	preprocess only
	<code>-pr</code>	write parser error messages to file
	<code>-pw0</code> (or <code>-pw</code>)	suppress all warning messages
	<code>-pw1</code>	enable serious warning messages (default)
	<code>-pw2</code>	enable all warning messages
<code>-px filename</code>	names the output file created when using the <code>-pm</code> option	

Table 2–1. Compiler Options Summary Table (Continued)

These options control the preprocessing, syntax-checking, and error-handling behavior of the compiler. For more information, see page 2-16.	-p?	enable trigraph expansion
Inlining Options	Options	Effect
These options control expansion of functions declared as inline. For more information, refer to page 2-18.	-x0	disable inlining
	-x1	default inlining level
	-x2	define <code>_INLINE</code> + invoke optimizer at level 2
Type-Checking Options	Option	Effect
These options allow relaxation of compiler type-checking rules. For more information, refer to page 2-19.	-tf	relax prototype checking
	-tp	relax pointer combination checking

Table 2–1. Compiler Options Summary Table (Continued)

Runtime Model Options	Options	Effect
<p>These options are used to customize the executable output of the compiler for your specific application. For more information, see page 2-20.</p>	-ma	assume aliased variables
	-mb	select big memory configuration
	-mc	use faster float to int conversions
	-mf	force indirect access to external objects, far data flag
	-mi	disable RPTS instructions
	-ml	use far calls for runtime support assembly calls
	-mm	enable short multiply ('C3x only)
	-mn	reenable optimizer options disabled by -g
	-mp	perform speed operations at the cost of conservatively increased code size
	-mr	use TI register argument model
	-ms	assume all memory is accessible when optimizing (see page 2-22)
	-mt	generate Ada compatible frame structure
-mtc	generate legacy Tartan C function names	
Assembler Options	Options	Effect
<p>These options control the assembler's behavior. For more information, see page 2-23.</p>	-aa	create absolute listing
	-adname[=def]	predefine a constant
	-al	produce assembly listing file
	-as	keep labels as symbols
	-auname	undefine a constant
	-ax	produce cross-reference file

Table 2–1. Compiler Options Summary Table (Continued)

Linker Options	Options	Effect
These options are valid only when the compiler has been invoked with the <code>-z</code> option for linking. They control the linking process. They must follow the <code>-z</code> option on the command line, and the <code>-z</code> option must follow all other options and file-names on the command line. For more information, see page 2-23.	<code>-a</code>	generate absolute output
	<code>-ar</code>	generate relocatable output
	<code>-b</code>	disable the merging of symbolic debug information
	<code>-c</code>	use ROM initialization
	<code>-cr</code>	use RAM initialization
	<code>-e <i>sym</i></code>	define entry point
	<code>-f <i>val</i></code>	define fill value
	<code>-g <i>name</i></code>	keep named global symbol regardless of the use of <code>-h</code>
	<code>-h</code>	make all global symbols static
	<code>-heap <i>size</i></code>	set heap size (words)
	<code>-heap8 <i>size</i></code>	set heap size (words) for 8-bit memory (C32)
	<code>-heap16 <i>size</i></code>	set heap size (words) for 16-bit memory (C32)
	<code>-i <i>dir</i></code>	define library search path
	<code>-l <i>lib</i></code>	supply library name
	<code>-m <i>file</i></code>	name the map file
	<code>-n</code>	ignore all fill specifications in memory directives
	<code>-o <i>file</i></code>	name the output file
	<code>-q</code>	suppress banner and progress information
	<code>-r</code>	generate relocatable output
	<code>-s</code>	strip symbol table
<code>-stack <i>size</i></code>	set stack size (bytes)	
<code>-u <i>sym</i></code>	undefine entry point	
<code>-v <i>val</i></code>	generates version <i>val</i> COFF	
<code>-w</code>	generate warning if output section is created that was not specified with <code>SECTIONS</code> directive	
<code>-x</code>	force rereading of libraries	

Table 2–1. Compiler Options Summary Table (Continued)

Optimizer Options	Options	Effect
These options control the behavior of the optimizer. For more information, see page 2-26.	-o0	perform level 0 (register) optimization
	-o1	perform level 1(level 0 + local) optimization
	-o2 (or -o)	perform level 2 (level 1 + global) optimization
	-o3	perform level 3 (level 2 + file) optimization
	-oimize	set automatic inlining size (-o3 only)
	-oI0 (-oL0)	specify that this file alters a standard library function
	-oI1 (-oL1)	specify that this file defines a standard library function
	-oI2 (-oL2)	specify that this file does not define or alter library functions
	-on0	disable optimizer information file
	-on1	produce optimizer information file
	-on2	produce a verbose information file
	-op0	specify that callable functions and/or modifiable variables are used in this module
	-op1	specify that no callable functions are used in this module (default)
	-op2	specify that no modifiable variables or callable functions are used in this module
	-op3	specify that no modifiable variables are used in this module, but modifiable functions may be used
	-os	interlist optimizer comments with assembly source statements
-ou	allow zero-overhead loop operations	

General Shell Options

You can use the options described below to control the overall operation of the cl30 shell.

- @filename** read shell options and commands from a command file. The commands can be on one line or on several lines. Comments in the command file can begin with a semicolon (;) or a pound (#) character and end at the end of a line or can begin with the characters “/*” and end with “*/”. Options in addition to those specified in the command file can be specified on the command line or with the C_OPTION environment variable.
- c** suppresses the linking option; it causes the shell not to run the linker even if **-z** is specified. This option is especially useful when you have **-z** specified in the C_OPTION environment variable and you don’t want to link. For more information, refer to page 2-67.
- dname[=def]** predefines the constant *name* for the preprocessor. This is equivalent to inserting `#define name def` at the top of each C source file. If the optional *def* is omitted, **-dname** sets *name* equal to 1.
- g** causes the compiler to generate symbolic debugging directives that are used by the C source level debuggers and/or the interlist utility.
- idir** adds *dir* to the list of directories to be searched for `#include` files. You can use this option a maximum of 32 times to define several directories; be sure to separate **-i** options with spaces. Note that if you don’t specify a directory name, the preprocessor ignores the **-i** option. For more information, refer to subsection 2.2.2 on page 2-32.
- k** keeps the assembly language file. Normally, the shell deletes the output assembly language file after assembling completes, but using **-k** allows you to retain the assembly language output from the compiler.
- n** causes the shell to compile only. If you use **-n**, the specified source files are compiled but not assembled or linked. This option overrides **-z** and **-c**. The output of **-n** is assembly language output from the compiler.

- q** suppresses banners and progress information from all the tools. Only source filenames and error messages are output.
- qq** suppresses *all* output except error messages.
- s** interlists optimizer comments with assembly language output, if the comments are available; otherwise, this option invokes the interlist utility, which interlists C source statements into the compiler's assembly language output. For more information, see Section 2.6, page 2-49.
- ss** invokes the interlist utility, which interlists C source statements into the compiler's assembly language output. For more information, see Section 2.6, page 2-49.
- uname** undefines the predefined constant *name*. Overrides any **-d** options for the specified constant.
- vxx** specifies the target processor. Choices are:
- v30** for a TMS320C30 processor
 - v31** for a TMS320C31 processor
 - v32** for a TMS320C32 processor
 - v40** for a TMS320C40 processor
 - v44** for a TMS320C44 processor
- By default, the tools produce code for the 'C30 processor. You must specify the appropriate option to generate code for the 'C31, 'C32, 'C40, or 'C44. All code used in the eventual executable module, including all library-resident code, must be compiled under the same version. For more information, refer to Section 2.3 on page 2-35.
- z** enables the linking option. It causes the shell to run the linker on specified object files. The **-z** option and its parameters follow all other compiler options and source files on the command line. All arguments that follow **-z** on the command line are passed to, and interpreted by, the linker. For more information, refer to subsection 2.10.1 on page 2-65.

File Specifiers

-e allows you to change the default naming conventions for file extensions for assembly language files and object files. This affects the interpretation of source filenames as well as the naming of files that the shell creates.

The syntax for the `-e` option is:

```
-ea[.] new extension    for assembly language files  
-eo[.] new extension    for object files
```

For example:

```
cl30 -ea .rrr -eo .odsp fit.rrr
```

assembles the file `fit.rrr` and creates an object file named `fit.odsp`.

The “.” in the extension and the space between the option and the extension are optional. The example above could be written as:

```
cl30 -earrr -eoodsp fit.rrr
```

The `-e` option should precede any filenames on the command line. If you don't use the `-e` option, the default extensions are `.asm` for assembly files and `.obj` for object files.

-f overrides default interpretations for source file extensions. If your naming conventions do not conform to those of the shell, you can use **-f** options to specify which files are C source files, assembly files, or object files. You can insert an optional space between the **-f** option and the filename.

The **-f** options are:

-fafile for assembly source file
-fcfile for C source file
-fofile for object file

For example, if you have a C source file called `file.s` and an assembly file called `asmby.asm`, use **-f** to force the correct interpretation:

```
c130 -fcfile.s -fa asmby
```

Note that **-f** cannot be applied to a wildcard specification.

-fr permits you to specify a directory for object files. If the **-fr** option is not specified, the shell will place object files in the current directory. To specify an object file directory, insert the directory's pathname on the command line after the **-fr** option:

```
c130 -fr d:\object ...
```

-fs permits you to specify a directory for assembly files. If the **-fs** option is not specified, the shell will place assembly files in the current directory. To specify an assembly file directory, insert the directory's pathname on the command line after the **-fs** option:

```
c1500 -fs d:\assembly ...
```

-ft permits you to specify a directory for temporary intermediate files. The **-ft** option overrides the `TMP` environment variable (described in subsection 2.1.5). To specify a temporary directory, insert the directory's pathname on the command line after the **-ft** option:

```
c130 -ft d:\temp ...
```

Parser Options

- pe** treats code-E errors as warnings. Normally, the code generator does not run if the parser detects any code-E errors. When you use the `-pe` option, the parser treats code-E errors as warnings, allowing complete compilation. For more information about errors and about `-pe`, refer to Section 2.7 on page 2-51.
- pf** produces a function prototype listing file. The parser creates a file containing the prototype of every procedure in all corresponding C files. Each function prototype file is named as its corresponding C file, with a `.pro` extension. `-pf` is useful when conforming code to the ANSI C standard, or generating a listing of procedures defined.
- pk** relaxes certain requirements that are stricter than those required by earlier K&R compilers, and that are newly imposed by the ANSI C standard. This facilitates compatibility between existing K&R-compatible programs and the TMS320C3x ANSI compiler. The effects of the `-pk` options are described in Section 3.10 on page 3-22.
- pl** generates a preprocessed listing file. The compiler writes a modified version of the source file to an output file called `file.pp`. This file contains all the source from `#include` files and expanded macros. It does not contain any comments. For more information, refer to subsection 2.2.3 on page 2-34.

- pm** when used with the `-o3` option, combines source files into one intermediate file called a module to perform program-level optimization instead of file-level optimization. The module proceeds to the optimization and code generation passes of the compiler. Because the compiler can now see the entire C program, it performs several optimizations that are not usually done during file-level optimization:
- If a particular argument in a function always has the same value, the compiler replaces the argument with the value and passes the value instead of the argument.
 - If a return value of a function is never used, the compiler deletes the return code in the function.
 - If a function is not called, directly or indirectly, the compiler removes the function.
- By default, the name of the resulting object file or assembly file is the same as the name of the first input C file.
- pn** suppresses line and file information. `-pn` causes `#line` directives of the form:
- ```
#123 file.c.
```
- to be suppressed in a file generated with `-po` or `-pl`. You may find `-pn` useful when compiling machine-generated source.
- po** runs the compiler for preprocessing only. When invoked with `-po`, the compiler processes only macro expansions, `#include` files, and conditional compilation. The compiler writes the preprocessed file with a `.pp` extension. For more information, refer to subsection 2.2.3 on page 2-34.
- pr** creates a parser error message file. The error file has the base name of the input file and the `.err` extension. The file contains all error messages generated by the parser.
- pwn** sets the warning message level. Section 2.7 on page 2-51 discusses the diagnostic information reported by the compiler.
- `-pw` or `-pw0` disables all warning messages.
  - `-pw1` enables serious warning messages (default)
  - `-pw2` enables all warning messages



**-px filename** when using the `-pm` option, specifies the name of the final output file. For example,

```
cl30 -pm one.c two.c three.c -px prog1
```

results in an object file named `prog1.obj`.

**-p?** enables trigraph expansion. Trigraphs are special escape sequences of the form:

```
??c
```

where *c* is a character. The ANSI C standard defines these sequences for the purpose of compiling programs on systems with limited character sets. By default, the compiler does not recognize trigraphs; use `-p?` to enable trigraphs. For more information, refer to the ANSI specification, subsection 2.2.1.1. or K&R § A 12.1.

## Inlining Options

**-x n** controls function inlining done by the optimizer when functions have been defined or declared as *inline*. The possibilities are:

- x0** disables all inlining
- x1** inlines all intrinsic operators (default)
- x2** or **-x** invokes the optimizer at level 2 and defines the `_INLINE` preprocessor symbol, which causes all functions defined or declared as *inline* to be expanded in line

Note that `-x1` is the default inlining option. It occurs whether or not the optimizer is invoked and whether or not any `-x` options are specified. The last option may be specified as `-x` or `-x2` interchangeably. See Section 2.5 on page 2-43 for more details.

## Type-Checking Options

**-tf** relaxes type checking on redeclarations of prototyped functions. In ANSI C, if a function is declared with an old-format declaration, such as:

```
int func();
```

and then later declared with a prototype, such as:

```
int func(float a, char b);
```

this generates an error because the parameter types in the prototype disagree with the default argument conversions (which convert float to double and char to int). With the **-tf** option, the compiler overlooks such redeclarations of parameter lists.

**-tp** relaxes type checking on pointer combinations. This option has two effects:

- A pointer to a signed type can be combined in an operation with a pointer to the corresponding unsigned type:

```
int *pi;
unsigned *pu;
pi = pu; /* Illegal unless -tp used */
```

- Pointers to differently qualified types can be combined:

```
char *p;
const char *pc;
p = pc; /* Illegal unless -tp used */
```

**-tp** is especially useful when you pass pointers to prototyped functions, because the passed pointer type would ordinarily disagree with the declared parameter type in the prototype.

## **Runtime-Model Options**

- ma** assumes that variables are aliased. The compiler assumes that pointers may alias (point to) named variables and therefore aborts certain optimizations when an assignment is made through a pointer.
  
- mb** selects the big memory model, allowing unlimited space for global data, static data, and constants. In the small memory model, which is the default, this space is limited to 64K words. All code used in the eventual executable module, including all library resident code, must be compiled under the same model. For more information, refer to Section 2.3 on page 2-35.
  
- mc** uses faster float-to-int conversion. The ANSI C standard specifies that when an object of floating-point type is converted to an integer type, the fractional part is discarded, effectively rounding towards zero. The compiler uses the TMS320C3x/C4x FIX instruction for these conversions, which rounds toward negative infinity, followed by a four-instruction sequence to correct negative values. If the ANSI standard behavior is not important to your application, the **-mc** option suppresses the correction sequence for faster execution.

**-mf** forces the compiler to always honor indirection on external objects. The compiler allows objects not declared in the .bss section to be accessed indirectly via pointers, as described in subsection 4.5.2 on page 4-25. Such objects cannot be accessed directly because they are not on the data page addressed by the DP. In some cases the optimizer may convert such indirect accesses into direct accesses, possibly resulting in objects in the .bss being accessed incorrectly. For example:

```
extern struct sss ext_obj;
/* object not in .bss */
struct sss ext_ptr = &ext_obj
/* object pointer */
```

The optimizer may convert an expression such as structure member `ext_ptr->f1` to `ext_obj.f1` because the optimizer assumes that all variables are in the .bss section. This transformation is invalid if `ext_obj` is not in the .bss section. The `-mf` option inhibits the transformation and preserves the indirection.

**-mi** disables the use of RPTS instructions for loops and uses RPTB instead. This allows loops to be interrupted.

**-ml** runtime support assembly calls use far calls. With this option, calls to runtime support assembly arithmetic functions such as `MPY_I30`, `DIV_I30`, etc. will use 32-bit far calls of the form:

```
LDI &MPY_I30,Rx; CALLU Rx
```

rather than the traditional 16-bit displacement form of `CALL MPY_I30`. See Section 3.8 on page 3-20 for more information on far calls.

**-mm** (TMS320C3x only) enables short multiplies, generating MPYI instructions for integer multiplies rather than runtime support calls. If your application does not need 32-bit integer multiplication, use `-mm` to enable the MPYI instruction; it is significantly faster because it performs 24x24 bit multiplication using a single instruction rather than a call to a 32-bit library function. For more information, refer to Section 4.7 on page 4-32.

- mn** re-enables the optimizations disabled by `-g`. If you use the `-g` option to generate symbolic debugging information, many code generator optimizations are disabled because they disrupt the debugger.
  
- mp** performs speed optimizations at the cost of increased code size. The `-mp` option causes the code generator to increase code size when doing so will increase performance. This is most often seen in copying (rather than moving) instructions into branch delay slots from the destination block. Refer to Section 3.9 on page 3-21 for further information on how the compiler handles branch delay slots. When this option is specified, the code generator may inline many commonly used functions, such as `MPY_I30`, to save the overhead of a function call.
  
- mr** uses the register-argument model. Code compiled under this model is completely incompatible with code compiled under the default model. *All code used in the eventual executable module, including all library resident code, must be compiled under the same model.* For more information, refer to Section 2.3 on page 2-35.
  
- ms** assumes all memory is accessible when optimizing. The `-ms` option causes the code generator to assume that no access to memory will cause the bus to block. See Section 3.9 on page 3-21.
  
- mt** causes the compiler to generate code that supports the Tartan Ada function calling conventions.
  
- mtc** generates an additional header for every C function compiled, allowing it to be used with the Tartan LAJ function calling method. Calling functions compiled with the TMS320C3x/C4x compiler from within Tartan-compiled code will exact a penalty of two cycles per call, but still allows some compatibility with existing Tartan assembly code and libraries. This option may be removed in a future release, so the legacy Tartan code should be recompiled.

## Assembler Options

|                      |                                                                                                                                                                                                                                               |
|----------------------|-----------------------------------------------------------------------------------------------------------------------------------------------------------------------------------------------------------------------------------------------|
| <b>-aa</b>           | invokes the assembler with the <code>-a</code> option, which creates an absolute listing. An absolute listing shows the absolute addresses of object code.                                                                                    |
| <b>-adname[=def]</b> | predefines the constant <i>name</i> for the assembler. This is equivalent to inserting <code>#define name def</code> at the top of each source file. If the optional <i>def</i> is omitted, <code>-adname</code> sets <i>name</i> equal to 1. |
| <b>-al</b>           | invokes the assembler with the <code>-l</code> (lowercase L) option to produce an assembly listing file.                                                                                                                                      |
| <b>-as</b>           | retains labels. Label definitions are written to the COFF symbol table for use with symbolic debugging.                                                                                                                                       |
| <b>-auname</b>       | undefines the predefined constant <i>name</i> . Overrides any <code>-ad</code> options for the specified constant.                                                                                                                            |
| <b>-ax</b>           | invokes the assembler with the <code>-x</code> option to produce a symbolic cross-reference in the listing file.                                                                                                                              |

For more information about assembler options, see the *TMS320C3x/C4x Assembly Language Tools User's Guide*.

## Linker Options

Linker options can be used with the compiler, or with the linker as a standalone. (See Section 2.10.2, *Linking C Code*, on page 2-66). When used with the compiler shell, all linker options should follow the `-z` option described in *General Options*, on page 2-12. For example:

```
cl30 -q symtab.c -z -a -c -o symtab.out -l rts30.lib
```

In this example, the file `symtab.c` will be compiled with the `-q` (quiet) option. The `-z` option causes the shell to invoke the linker and pass the `-a`, `-c`, `-o`, and `-l` linker options to the linker.

All compiler command line options following `-z` are passed to the linker. For this reason, the `-z` option followed by the linker options must be the last shell option specified on the command line. All options on the command line following the `-z` option will be passed to the linker and not the compiler.

The `-c` and `-n` options suppress the linker option and cause the shell not to run the linker even if `-z` has been specified (see *General Shell Options*, page 2-12, for more information.) Linker options are summarized in Table 2-1, *Options Summary Table*, beginning on page 2-6. For more information about linker options, refer to Section 2.10, page 2-65.

For more information on the linker, see Chapter 8 of *The TMS320C3x/C4x Assembly Language Tools User's Guide*.

|                                |                                                                                                                                                                                |
|--------------------------------|--------------------------------------------------------------------------------------------------------------------------------------------------------------------------------|
| <b>-a</b>                      | produces an absolute, executable module. This is the default; if neither <code>-a</code> nor <code>-r</code> is specified, the linker acts as if <code>-a</code> is specified. |
| <b>-ar</b>                     | produces a relocatable, executable object module.                                                                                                                              |
| <b>-b</b>                      | disables merging of symbolic debugging information.                                                                                                                            |
| <b>-c</b>                      | enables linking conventions defined by the ROM auto-initialization model of the TMS320C3x/4x C compiler. This is the default initialization method.                            |
| <b>-cr</b>                     | enables linking conventions defined by the RAM auto-initialization model of the TMS320C23x/4x C compiler.                                                                      |
| <b>-e <i>global_symbol</i></b> | defines a <i>global_symbol</i> that specifies the primary entry point for the output module.                                                                                   |
| <b>-f <i>fill_value</i></b>    | sets the default fill value for holes within output sections; <i>fill_value</i> is a 16-bit constant.                                                                          |
| <b>-g <i>global_symbol</i></b> | instructs the linker to maintain the specified symbol as global, regardless of the use of the <code>-h</code> option.                                                          |
| <b>-h</b>                      | makes all global symbols static.                                                                                                                                               |
| <b>-heap <i>size</i></b>       | sets heap size (for the dynamic memory allocation in C) to <i>size</i> words and defines a global symbol that specifies the heap size. Default = 1K words.                     |
| <b>-heap8 <i>size</i></b>      | creates the C32 8-bit memory heap and sets heap size to <i>size</i> words and defines a global symbol that specifies the heap size. Default = 1K words, when needed.           |
| <b>-heap16 <i>size</i></b>     | creates the C32 16-bit memory heap and sets heap size to <i>size</i> words and defines a global symbol that specifies the heap size. Default = 1K words, when needed.          |

---

|                           |                                                                                                                                                                                                                |
|---------------------------|----------------------------------------------------------------------------------------------------------------------------------------------------------------------------------------------------------------|
| <b>-i</b> <i>dir</i>      | alters the library-search algorithm to look in <i>dir</i> before looking in the default location. This option must appear before the <b>-l</b> option. The directory must follow operating system conventions. |
| <b>-l</b> <i>filename</i> | names an archive library file as linker input; <i>filename</i> is an archive library name, and must follow operating system conventions.                                                                       |
| <b>-m</b> <i>filename</i> | produces a map or listing of the input and output sections, including holes, and places the listing in <i>filename</i> . The <i>filename</i> must follow operating system conventions.                         |
| <b>-n</b>                 | instructs the linker to ignore all fill specifications in memory directives.                                                                                                                                   |
| <b>-o</b> <i>filename</i> | names the executable output module. The default <i>filename</i> is <i>a.out</i> , and must follow operating system conventions.                                                                                |
| <b>-q</b>                 | suppresses banner and progress information.                                                                                                                                                                    |
| <b>-r</b>                 | retains relocation entries in the output module.                                                                                                                                                               |
| <b>-s</b>                 | strips symbol table information and line number entries from the output module.                                                                                                                                |
| <b>-stack</b> <i>size</i> | sets the C system stack size to <i>size</i> words and defines a global symbol that specifies the stack size. Default = 1K words.                                                                               |
| <b>-u</b> <i>symbol</i>   | places the unresolved external symbol <i>symbol</i> into the output module's symbol table.                                                                                                                     |
| <b>-vn</b>                | generates version <i>n</i> COFF format.                                                                                                                                                                        |
| <b>-w</b>                 | generates a warning when an output section that is not specified with the <b>SECTIONS</b> directive is created.                                                                                                |
| <b>-x</b>                 | forces rereading of libraries, and resolves back references.                                                                                                                                                   |



## Optimizer Options

**-on** causes the compiler to optimize the intermediate file that is produced by the parser. *n* denotes the level of optimization. There are three levels of optimizations: **-o0**, **-o1**, **-o2**, and **-o3**.

If you do not indicate a level (0, 1, 2, 3) after the **-o** option, the optimizer defaults to level 2. For more information about the optimizer, refer to Section 2.4 on page 2-38 and Appendix A.

**-oimize** controls automatic inlining of functions (not defined or declared as inline) at optimization level 3. You specify the *size* limit for the largest function that will be inlined (times the number of times it is called). If no size is specified, the optimizer will inline only very small functions. Setting the size to 0 (**-oi0**) disables automatic inlining completely. Note that this option controls only the inlining of functions that have not been explicitly defined or declared as inline. The **-x** options control the inlining of functions declared as inline.

**-oln** (lowercase L) controls file-level optimizations. When you invoke the optimizer at level 3 (**-o3**), it makes use of known properties of the standard library functions. If the file you are compiling redefines any of the standard functions, the compiler may produce incorrect code. Use the **-oln** options to notify the optimizer if any of the following situations exist:

- ol0**: Use this option if the file you are compiling alters a standard library function. For example, if you have defined a function with the same name as a standard library function or you have altered the source code of a standard library function, use **-ol0** to inform the optimizer not to assume the known properties of the standard library function.
- ol1**: Use this option if the file you are compiling contains unaltered definitions for standard library functions. For example, use **-ol1** to compile the standard library.
- ol2**: Use this option to restore the default behavior of the optimizer after you have used one of the other two options in a command file, an environment variable, etc. Following the **-ol2** option, the optimizer will use known properties of the standard library functions.

- on $n$**  causes the compiler to produce a user readable optimization information file with a .nfo extension. This option works only when the **-o3** option is used. There are three levels available:
- on0** do not produce an information file. Restores the default behavior of the optimizer if you have used one of the other two options in a command file, an environment variable, etc.
  - on1** produce an optimization information file.
  - on2** produce a verbose optimization information file.
- op $n$**  specifies whether functions in other files can call this file's EXTERN functions, or modify this file's EXTERN variables. Level 3 optimization combines this information with its own file-level analysis to decide whether to treat this file's EXTERN function and variable definitions as if they had been declared STATIC. The following levels are defined.
- op0** signals the optimizer that functions in this module may be called by other modules, and variables declared within the module may be altered by other modules. This disables some of the **-o3** optimizations.
  - op1** signals the optimizer that no functions in this module will be called by other modules and no interrupt functions declared elsewhere will call functions defined in this module. This is the default when **-o3** is used.
  - op2** or **-op** signals the optimizer that no functions in this module are called by other modules and no variable declared in this module will be altered by another module.
  - op3** signals the optimizer that functions in this module may be called by other modules, but no variables declared within the module may be altered by other modules. This disables some of the **-o3** optimizations.
- os** interlists optimizer comments into the compiler's assembly language output. For more information, see Section 2.6, page 2-49.
- ou** allows the compiler to use zero-overhead loop instructions, RPTS and RPTB to control unsigned loop counters. To use this option, you must be certain that these loops will iterate fewer than  $2^{31}$  times.

### 2.1.4 Using the C\_OPTION Environment Variable

An environment variable is a system symbol that you define and assign to a string. You may find it useful to set the shell default options using the C\_OPTION environment variable; if you do this, these default options and/or input filenames are used every time you run the shell.

Setting up default options with the C\_OPTION environment variable is especially useful when you want to run the shell consecutive times with the same set of options and/or input files. After the shell reads the entire command line and the input filenames, it reads the C\_OPTION environment variable and processes it.

Options specified with the environment variable are specified in the same way and have the same meaning as they do on the command line.

For example, if you want to always run quietly, enable symbolic debugging, and link, then set up the C\_OPTION environment variable as follows:

| Host        | Enter                    |
|-------------|--------------------------|
| DOS or OS/2 | set C_OPTION=-qg -z      |
| UNIX        | setenv C_OPTION "-qg -z" |

You may want to set C\_OPTION in your system initialization file; for example, on PCs, in your autoexec.bat file.

Using the -z option enables linking. If you plan to link most of the time when using the shell, you can specify the -z option with C\_OPTION. Later, if you need to invoke the shell without linking, you can use -c on the command line to override the -z specified with C\_OPTION. These examples assume C\_OPTION is set as shown previously:

```
cl30 *.c ; compiles and links
cl30 -c *.c ; only compiles
cl30 *.c -z c.cmd ; compiles/links using command file
cl30 -c *.c -z c.cmd ; only compiles (-c overrides -z)
```

### 2.1.5 Using the TMP Environment Variable

The shell program creates intermediate files as it processes your program. For example, the parser phase of the shell creates a temporary file used as input by the code generation phase. By default, the shell puts intermediate files in the current directory. However, you can name a specific directory for temporary files.

This feature allows use of a RAM disk or other high-speed storage files. It also allows source files to be compiled from a remote directory without writing any files into the directory where the source resides. This is useful for protected directories.

There are two ways to specify a temporary directory:

- 1) Use the TMP environment variable:

```
set TMP=d:\temp
```

This example is for a PC. Use the appropriate command for your host.

- 2) Use the `-ft` option on the command line:

```
cl30 -ft d:\temp...
```

The `-ft` option, if used, overrides the TMP environment variable.

## 2.2 Controlling the Preprocessor

The TMS320C3x/C4x C compiler includes standard C preprocessing functions, which are built into the first pass of the compiler (parser). The preprocessor handles:

- Macro definitions and expansions
- #include files
- Conditional compilation
- Various other preprocessor directives (specified in the source file as lines beginning with the # character)

This section describes specific features of the TMS320C3x/C4x preprocessor. A general description of C preprocessing is in Section A12 of K&R.

## 2.2.1 Predefined Names

The compiler maintains and recognizes the predefined macro names listed in Table 2–2:

Table 2–2. Predefined Macro Names

| Macro Name                                   | Description                                                                                      |
|----------------------------------------------|--------------------------------------------------------------------------------------------------|
| <code>__LINE__</code> †                      | expands to the current line number                                                               |
| <code>__FILE__</code> †                      | expands to the current source filename                                                           |
| <code>__DATE__</code> †                      | expands to the compilation date, in the form <i>mm dd yyyy</i>                                   |
| <code>__TIME__</code> †                      | expands to the compilation time, in the form <i>hh:mm:ss</i>                                     |
| <code>__STDC__</code> †                      | expands to 1 (identifies the compiler as ANSI standard)                                          |
| <code>_C3x</code><br><code>_TMS320C3x</code> | expands to 1 if the target processor is a TMS320C3x processor, otherwise it is undefined.        |
| <code>_C30</code><br><code>_TMS320C30</code> | expands to 1 if target processor is defined to be TMS320C30, otherwise it is undefined.          |
| <code>_C31</code><br><code>_TMS320C31</code> | expands to 1 if target processor is defined to be TMS320C31, otherwise it is undefined.          |
| <code>_C32</code><br><code>_TMS320C32</code> | expands to 1 if target processor is defined to be TMS320C32, otherwise it is undefined.          |
| <code>_C4x</code><br><code>_TMS320C4x</code> | expands to 1 if the target processor is a TMS320C4x processor, otherwise it is undefined.        |
| <code>_C40</code><br><code>_TMS320C40</code> | expands to 1 if the target processor is a TMS320C40 processor, otherwise it is undefined.        |
| <code>_C44</code><br><code>_TMS320C44</code> | expands to 1 if the target processor is a TMS320C44 processor, otherwise it is undefined.        |
| <code>_INLINE</code>                         | expands to 1 under the <code>-x</code> or <code>-x2</code> optimizer option, undefined otherwise |
| <code>_REGPARAM</code>                       | expands to 1 if the register argument runtime model is used, undefined otherwise.                |
| <code>_BIGMODEL</code>                       | expands to 1 if the <code>-mb</code> option is used, undefined otherwise.                        |

† Specified by the ANSI standard

You can use macro names in the same manner as any other defined name. For example:

```
printf (" %s %s" , __TIME__ , __DATE__);
```

could translate to a line such as:

```
printf (" %s %s", "Jan 14 1997", "13:58"17");
```

The preprocessor produces self-explanatory error messages. The line number and the filename where the error occurred are printed along with a diagnostic message.

You can predefine additional names from the command line by using the `-d` option:

```
c130 -dNAME -dREGS=6 *.c
```

This has the same effect as including these lines at the beginning of each source file:

```
#define NAME 1
#define REGS 6
```

## 2.2.2 #include File Search Paths

The `#include` preprocessor directive tells the compiler to read source statements from another file. The syntax for this directive is:

```
#include "filename"
or
#include <filename>
```

The *filename* names the `#include` file that the compiler reads statements from. You can enclose the filename in double quotes or in angle brackets. The filename can be a complete pathname, have partial path information, or have no path information.

- If you enclose the filename in *double quotes*, the compiler searches for the file in the following directories, in the order given:
  - 1) The directory that contains the current source file. (The *current source file* refers to the file that is being compiled when the compiler encounters the `#include` directive.)
  - 2) Any directories named with the `-i` compiler option in the shell.
  - 3) Any directories set with the environment variable `C_DIR`.
- If you enclose the filename in *angle brackets*, the compiler searches for the file in the following directories, in the order given:
  - 1) Any directories named with the `-i` option in the shell.
  - 2) Any directories set with the environment variable `C_DIR`.

Note that if you enclose the filename in angle brackets, the compiler *does not* search for the file in the current directory.

Include files are sometimes stored in directories. You can augment the compiler's directory search algorithm by using the `-i` shell option or the environment variable `C_DIR` to identify a directory name.

## **-i Shell Option**

The `-i` shell option names an alternate directory that contains `#include` files. The format for the `-i` option is:

```
cl30 -i pathname ...
```

You can use up to 32 `-i` options per invocation; each `-i` option names one *pathname*. In C source, you can use the `#include` directive without specifying any path information for the file; instead, you can specify the path information with the `-i` option. For example, assume that a file called `source.c` is in the current directory. This file contains one of the following directive statements:

```
#include "alt.h" or
#include <alt.h>
```

The table below lists the complete pathname for `alt.c` and shows how to invoke the compiler; select the row for your host system.

| Host        | Pathname for alt.c | Invocation Command           |
|-------------|--------------------|------------------------------|
| DOS or OS/2 | c:\dsp\files\alt.h | cl30 -ic:\dsp\files source.c |
| UNIX        | /dsp/files/alt.h   | cl30 -i/dsp/files source.c   |

## **C\_DIR Environment Variable**

The compiler uses the environment variable **C\_DIR** to name alternate directories that contain `#include` files. To specify the same directory for `#include` files, as in the previous example, set **C\_DIR** with one of these commands:

| Host        | Enter                   |
|-------------|-------------------------|
| DOS or OS/2 | set C_DIR=c:\dsp\files  |
| UNIX        | setenv C_DIR /dsp/files |

Then you can include `alt.h`:

```
#include "alt.h" or
#include <alt.h>
```

and invoke the compiler without the `-i` option:

```
cl30 source.c
```

This results in the compiler using the path in the environment variable to find the `#include` file.

The pathnames specified with **C\_DIR** are directories that contain `#include` files. You can separate pathnames with a semicolon or with blanks. In C



source, you can use the `#include` directive without specifying any path information; instead, you can specify the path information with `C_DIR`.

The environment variable remains set until you reboot the system or reset the variable by entering one of these commands:

| Host        | Enter    |        |
|-------------|----------|--------|
| DOS or OS/2 | set      | C_DIR= |
| UNIX        | unsetenv | C_DIR  |

### 2.2.3 Generating a Preprocessed Listing File (`-pl`, `-pn`, `-po` Options)

The `-pl` shell option allows you to generate a preprocessed version of your source file. The compiler's preprocessing functions perform the following actions on the source file:

- Each source line ending in backslash (`\`) is joined with the following line.
- Trigraph sequences are expanded (if enabled with the `-p?` option).
- Comments are removed.
- `#include` files are copied into the file.
- Macro definitions are processed, and all macros are expanded.
- All other preprocessing directives, including `#line` directives and conditional compilation, are executed.

(These functions correspond to translation phases 1–3 as specified in Section A12 of K&R.)

The preprocessed output file contains no preprocessor directives other than `#line`; the compiler inserts `#line` directives to synchronize line and file information in the output files with input position from the original source files. If you use the `-pn` option, no `#line` directives are inserted.

If you use the `-po` option, the compiler performs *only* the preprocessing functions listed above and then writes out the preprocessed listing file; no syntax checking or code generation takes place. The `-po` option can be useful when debugging macro definitions or when host memory limitations dictate separate preprocessing (refer to *Parsing in Two Passes* on page 2-59). The resulting preprocessed listing file is a valid C source file that can be rerun through the compiler.

## 2.3 Using Runtime Models

The compiler has three options that allow you to affect the runtime model. All linked modules must use the same runtime model in order to correctly interface with other C modules, assembly modules, and library resident modules. Runtime models are mutually exclusive, that is, you must choose a configuration and then make sure that all the modules you link use the same model. The following conventions are mutually exclusive and must be chosen before you begin to compile:

| Mutually Exclusive Runtime Model Options     |                                                   |
|----------------------------------------------|---------------------------------------------------|
| big memory model ( <code>-mb</code> )        | small memory model (default)                      |
| register-argument model ( <code>-mr</code> ) | stack-based model (default)                       |
| TMS320C4x model ( <code>-v40, -v44</code> )  | TMS320C3x model ( <code>-v30, -v31, -v32</code> ) |

All code linked together in any program, including assembly language and library modules, *must* agree on these three options. Mixed model code may link without error, but it will not run correctly. The linker will issue an error message if you try to link TMS320C4x code with TMS320C3x code. The big and small memory models are further explained in subsection 2.3.1, page 2-36. Register-argument and stack-based models are explained in subsection 2.3.2, page 2-37. With these exceptions, compiler options including runtime model options do not affect compatibility with other modules.

Eight runtime libraries are shipped with the compiler. All are compiled for the small memory model convention:

| Runtime Library          | Processor | Model Option(s) Used                                                |
|--------------------------|-----------|---------------------------------------------------------------------|
| <code>rts30.lib</code>   | TMS320C3x | small memory model;<br>stack-based model                            |
| <code>rts30g.lib</code>  | TMS320C3x | stack-based model; includes<br>symbolic debugging information       |
| <code>rts30r.lib</code>  | TMS320C3x | register-argument model                                             |
| <code>rts30gr.lib</code> | TMS320C3x | register-argument model; includes<br>symbolic debugging information |
| <code>rts40.lib</code>   | TMS320C4x | small memory model;<br>stack-based model                            |
| <code>rts40g.lib</code>  | TMS320C4x | stack-based model; includes<br>symbolic debugging information       |
| <code>rts40r.lib</code>  | TMS320C4x | register-argument model                                             |
| <code>rts40gr.lib</code> | TMS320C4x | register-argument model; includes<br>symbolic debugging information |

Refer to Section 5.1 for further information. If you want to use a model that is incompatible with these, you must build a compatible version of the runtime library with the library build utility (mk30). See Chapter 6 for more information on using this utility.

By default, the mk30 utility will create a runtime-support library called rts.lib. However, if you use more than one library, you may wish to adopt a naming convention that makes it obvious which models were used. For example, append a suffix that contains the target CPU number (30 or 40), an 'r' for the register-argument model, and a 'b' for the big model. Thus rts40rb.lib would be easily recognized as the runtime support library for the TMS320C4x, big model, with the register-argument runtime model, and rts30.lib would be for the TMS320C3x small model and stack-based or standard runtime model.

### 2.3.1 The Big and Small Memory Models

The small memory model (default) requires that all external variables, global variables, static variables, and compiler-generated constants in the program (after linking) fit into a single 64K word long data page (65536 words). This allows the compiler to access any of these objects without modifying the data page pointer (DP) register. Neither model restricts the size of code, automatic data, or dynamically allocated data.

The big model (`-mb` option) removes the 64K restriction. However, this model also forces the compiler to reload the data page pointer before accessing any external variables or compiler generated constants. This is less efficient since it forces an extra instruction and possibly one or more extra pipeline delay cycles each time the compiler accesses one of these objects.

Use the small model whenever possible. If you have large arrays, allocate them dynamically from the heap (using `malloc`) rather than declaring them as global or static.

---

**Note: Size Restrictions on Small Model are not Tested**

When you use the small model, you must be sure the `.bss` section is less than 64K words and does not cross any 64K page boundaries. Neither the compiler nor the linker checks these restrictions against the model used.

To make sure that the `.bss` section conforms to these two rules, link the `.bss` section using the **block** attribute of the `SECTIONS` directive.

---

The statement:

```
.bss: load = block (0x10000)
```

when used with the `SECTIONS` directive, will force the `.bss` section into a 64K data page if the size of the `.bss` section is less than 64K. You should check the link map after linking to verify that the `.bss` does not violate the restrictions.

If you have variables declared in assembly language outside the `.bss` section, you can still use the small model, but you must access them indirectly, and you may need to use the `-mf` option as well. Section 4.5 on page 4-22 discusses interfacing C with assembly language.

### 2.3.2 The Register-Argument and Standard Models

You can choose from two different argument passing models. In the standard runtime model (default) the compiler passes all arguments to functions on the stack. When you invoke the compiler with the `-mr` option, some or all of the arguments are passed in registers. This results in less overhead for function calls in your program.

---

**Note: All Functions Must Be Prototyped**

When using the register-argument model, all functions must be prototyped. The compiler must be able to “see” the types of function parameters when the function is called. If there is a function call with no prototype visible, the compiler probably will generate incorrect code for the call. The `-pf` option will generate prototypes for all functions you define. The `-pw2` option will issue a warning for a function call that has no prototype in scope.

---

The runtime-support libraries `rts30r.lib`, `rts30gr.lib`, `rts40r.lib`, and `rts40gr.lib` (shipped with the compiler) are compatible with the register-argument model.

Technical details of both models are explained in Section 4.4 on page 4-15. The library build utility is described in Chapter 6.

## 2.4 Using the C Compiler Optimizer

The compiler package includes an optimization program that improves the execution speed and reduces the size of C programs by doing such things as simplifying loops, rearranging statements and expressions, and allocating variables into registers.

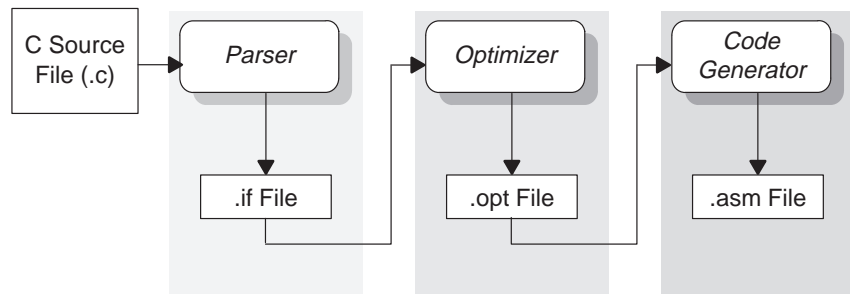
The optimizer runs as a separate pass between the parser and the code generator. The easiest way to invoke the optimizer is to use the `cl30` shell program, specifying the `-o` option on the `cl30` command line (you may also invoke the optimizer outside `cl30`; refer to Section 2.9 on page 2-56 for more information). The `-o` option may be followed by a digit specifying the level of optimization. If you do not specify a level digit, the default is level 2.

For example, to invoke the compiler using full optimization with inline function expansion, enter:

```
cl30 -o3 -x function.c
```

Figure 2-2 illustrates the execution flow of the compiler with standalone optimization.

Figure 2-2. Compiling a C Program with the Optimizer



The optimizer also recognizes `cl30` options `-s`, `-ma`, `-q`, and `-pk`; these options are discussed in subsection 2.1.3.

To invoke the optimizer outside `cl30`, refer to subsection 2.9.2.

## 2.4.1 Optimization Levels

There are four levels of optimization: 0, 1, 2, and 3. These levels control the type and degree of optimization.

### Level 0

- performs control-flow-graph simplification
- allocates variables to registers
- performs loop rotation
- eliminates dead code
- simplifies expressions and statements
- expands calls to functions declared as inline

### Level 1

performs all level 0 features, plus:

- performs local copy/constant propagation
- removes local dead assignments
- eliminates local common subexpressions

### Level 2

performs all level 1 features, plus:

- performs loop optimizations
- eliminates global common subexpressions
- eliminates global redundant assignments
- converts array references in loops to incremented pointer form
- performs loop unrolling

### Level 3

performs all level 2 features, plus:

- removes all functions that are never called
- simplifies functions that have return values that are never used
- expands calls to small functions inline
- reorders function definitions so the attributes of called functions are known when the caller is optimized
- propagates arguments into function bodies when all call sites pass the same value in the same argument position
- identifies file-level variable characteristics

**Note: Files That Redefine Standard Library Functions**

The optimizer uses known properties of the standard library functions to perform level 3 optimizations. If you have files that redefine standard library functions, use the `-ol` (lowercase L) options to inform the optimizer. (See page 2-26.)

This list describes optimizations performed by the standalone optimization pass. The code generator performs several additional optimizations, particularly TMS320C3x/C4x-specific optimizations; it does so regardless of whether or not you invoke the optimizer. These optimizations are always enabled and are not affected by the optimization level you choose.

For more information about the meaning and effect of specific optimizations, refer to Appendix A.

### 2.4.2 Definition Controlled Inline Expansion Option (`-x` Option)

When the optimizer is invoked, the `-x` optimizer option controls inline expansion of functions that have been declared as *inline* by inhibiting or allowing the expansion of their code in place of calls. That is, code for the function will be inserted (inlined) into your function at each place it is called whenever the optimizer is invoked and the `-x` option is not equal to `-x0`. The `-x2` option automatically invokes the optimizer at the default level (level 2, if the `-o` option is not specified separately) and defines the `_INLINE` preprocessor symbol as equal to 1, which causes expansion of functions declared as *inline* and controlled by the `_INLINE` symbol (For more information about `_INLINE`, see subsection 2.5.3, page 2-46).

Inlining makes a program faster by eliminating the overhead caused by function calls, but inlining sometimes increases code size.

For more information, see Section 2.5, *Function Inlining*, page 2-43.

### 2.4.3 Using the Optimizer with the Interlist Option (`-os` option)

Optimization makes normal source interlisting impractical, because the optimizer extensively rearranges your program. Therefore, the optimizer writes reconstructed C statements (as assembly language comments), which show the optimized C statements. The comments also include a list of the allocated register variables. Note that occasionally the optimizer interlist comments may be misleading because of copy propagation or assignment of multiple or equivalent variables to the same register.

### 2.4.4 Debugging Optimized Code

The best way to debug code that is also optimized is to debug it in an unoptimized form and then reverify its correctness after it has been optimized.

The debugger may be used with optimized code, but the extensive rearrangement of code and the many-to-one allocation of variables to registers often makes it difficult to correlate source code with object code.

**Note: Symbolic Debugging and Optimized Code**

If you use the `-g` option to generate symbolic debugging information, many code generator optimizations are disabled because they disrupt the debugger. If you want to use symbolic debugging and still generate fully optimized code, use the `-mn` option on `cl30`; `-mn` re-enables the optimizations disabled by `-g`.

## 2.4.5 Special Considerations When Using the Optimizer

The optimizer is designed to improve your ANSI-conforming C programs while maintaining their correctness. However, when you write code for the optimizer, you should note the following special considerations to insure that your program performs as you intend.

### *asm Statements*

You must be extremely careful when using `asm` (inline assembly) statements in optimized code. The optimizer rearranges code segments, uses registers freely, and may completely remove variables or expressions. Although the compiler will never optimize out an `asm` statement (except when it is totally unreachable), the surrounding environment where the assembly code is inserted may differ significantly from its apparent context in the C source code. It is usually safe to use `asm` statements to manipulate hardware controls such as interrupt registers or I/O ports, but `asm` statements that attempt to interface with the C environment or access C variables may have unexpected results. After compilation, check the assembly output to make sure your `asm` statements are correct and maintain the integrity of the program.

### *Volatile Keyword*

The optimizer analyzes data flow to avoid memory accesses whenever possible. If you have code that *depends* on memory accesses exactly as written in the C code, you *must* use the `volatile` keyword to identify these accesses. The compiler won't optimize out any references to volatile variables.

In the following example, the loop waits for a location to be read as `0xFF`:

```
unsigned int *ctrl;
while (*ctrl !=0xFF);
```



In this example, `*ctrl` is a loop-invariant expression, so the loop will be optimized down to a single memory read. To correct this, declare `ctrl` as:

```
volatile unsigned int *ctrl
```

## ***Aliasing***

Aliasing occurs when a single object may be accessed in more than one way, such as when two pointers point to the same object or when a pointer points to a named object. Aliasing can disrupt optimization because any indirect reference could potentially refer to any other object. The optimizer analyzes the code to determine where aliasing can and cannot occur, then optimizes as much as possible while still preserving the correctness of the program.

The compiler assumes that if the address of a local variable is passed to a function, the function might change the local by writing through the pointer but will not make its address available for use elsewhere after returning. For example, the called function cannot assign the local's address to a global variable or return it. In cases where this assumption is invalid, use the `-ma` option in `cl30` to force the compiler to assume worst-case aliasing. In worst-case aliasing, any indirect reference may refer to such a variable.

## 2.5 Function Inlining

When an inline function is called and the optimizer is invoked, the code for the function is inserted at the point of the call. This is advantageous in short functions for two reasons:

- ❑ It saves the overhead of a function call.
- ❑ Once inlined, the optimizer is free to optimize the function in context with the surrounding code.

Inline expansion is performed one of three ways.

- ❑ The intrinsic operators of the target system (such as `abs`) are inlined by the compiler by default. This happens whether or not the optimizer is used and whether or not any compiler or optimizer options are used. (You can defeat this automatic inlining by invoking the compiler with the `-x0` option.)
- ❑ Definition controlled inline expansion is performed when two conditions exist:
  - the *inline* keyword is encountered in source code
  - and*
  - the optimizer is invoked (at any level)

Functions with local static variables or a variable number of arguments will not be inlined, with the exception of functions declared as static inline. In functions defined as static inline, expansion will occur despite the presence of local statics. In addition, a limit is placed on the depth of inlining for recursive or non-leaf functions. Inlining should be used for small functions or functions that are called only a few times (though the compiler does not enforce this.)

You can control this type of function inlining two ways:

**inline** *return-type function-name (parameter declarations) {function}*

- **Method 1.** By *defining* a function as *inline* within a module (with the inline keyword), you can specify that the function is inlined *within that module*. A global symbol for the function is created, but the function will be inlined only within the module where it is defined as inline. It will be called by other modules unless they contain a compatible static inline declaration. Functions defined as inline are expanded when the optimizer is invoked and the `-x` option is not equal to `-x0`. Setting the `-x` option to `-x2` will automatically invoke the optimizer at the default level (level 2).

**static inline** *return-type function-name (parameter declarations)*

- **Method 2.** By *declaring* a function as static inline, you can specify that the function is inlined in the present module. This names the function and specifies that the function is to be expanded inline, but no code is generated for the function declaration itself. Functions declared in this way may be placed in header files and included by all source modules of the program. Declaring a function as static inline in a header file specifies that the function is inlined in any module that includes the header.

Functions declared as inline are expanded whenever the optimizer is invoked at any level. Functions declared as inline and controlled by the `_INLINE` preprocessor symbol, such as the runtime library functions, are expanded whenever the optimizer is invoked and the `_INLINE` preprocessor symbol is equal to 1. When you define an inline function, it is recommended that you use the `_INLINE` preprocessor symbol to control its declaration. If you fail to control the expansion using `_INLINE`, and subsequently compile *without* the optimizer, the call to the function will be unresolved. For more information, see subsection 2.5.3, *The \_INLINE Preprocessor Symbol*, page 2-46.

- Automatic inline expansion (functions *not* declared as inline) is done when the optimizer is invoked at level 3. By default, the optimizer will inline very small functions. You can change the size of functions that are automatically inlined with the `-o isize` option. The `-oi` option specifies that functions whose size (times number of calls) is less than *size* units are inlined regardless of how they were declared. The optimizer measures the size of a function in arbitrary units. However, the size of each function is reported in the optimizer information file (`-on1` option). If you want to be certain that a function is always inlined, use the inline keyword (discussed above and in the next subsection). You can defeat all automatic inlining of small functions not declared as inline by setting the size to 0 (`-oi0`).

**Note: Function Inlining May Greatly Increase Code Size**

It should be noted that expanding functions inline expands code size, and that inlining a function that is called a great number of times can expand code size exponentially. Function inlining is optimal for functions that are called only a small number of times, or for small functions that are called more often. If your code size seems too large, try compiling with the `-x0` keyword and note the difference in code size.

## 2.5.1 Controlling Inline Expansion (`-x` Option)

A command line switch controls the types of inline expansion performed.

- `-x0` : no inline expansion. Defeats the default expansions listed below. *If the `-x0` shell option is specified, the compiler treats intrinsic functions as regular function calls.* See Section 2.8 on page 2-54 for further information on intrinsics.
- `-x1` : is the default value. The intrinsic operators are inlined wherever they are called. This is true whether or not the optimizer is invoked, and whether or not a `-x` option is specified (except `-x0`). Intrinsic operators are listed on page 2-54.
- `-x2/-x`: creates the preprocessor symbol `_INLINE`, assigns it the value 1, and invokes the optimizer at level 2, thereby enabling definition controlled inline expansion.

If a function has been defined or declared as inline, it will be expanded inline whenever the optimizer is called and the `-x` option is not equal to `-x0`. Setting the `-x` option to `-x2` automatically invokes the optimizer and thus causes the automatic expansion of functions defined or declared as inline, as well as causing the other optimizations defined at level 2, which is the default level for the optimizer. The `_INLINE` preprocessor symbol has been used to control the expansion of the runtime library modules. They will be expanded if `_INLINE` is equal to 1, but will be called if `_INLINE` is not equal to 1. Other functions may be set up to use `_INLINE` in the same way. For more information, see subsection 2.5.3, *The `_INLINE` Preprocessor Symbol*.

If the `-x`, `-x1` or `-x2` option is used together with the `-o` option at any level, the optimizer will be invoked at the level specified by `-o` rather than at the level specified by `-x`.

## 2.5.2 Automatic Inline Expansion Option (`-oimize` Option)

The optimizer will automatically inline all small functions (not defined or declared with the *inline* keyword) when invoked at level 3. A command line option controls the size of functions inlined when the optimizer is invoked at level 3. The `-oi` option can be used three ways:

- If you set the size parameter to zero (`-oi0`), all size controlled inlining is disabled.
- If you do not use the `-oi` option, the optimizer inlines very small functions.

- If you set the size parameter to a nonzero integer, the optimizer will inline all functions whose size is less than the *size* parameter. If the function is called more than once, the optimizer multiplies the size of the function by the number of calls, and will inline the function only if the resulting product is less than the *size* parameter. The optimizer measures the size of a function in arbitrary units. The optimizer information file (created with the `-on1` or `-on2` option), however, will report the size of each function in the same units that the `-oi` option uses.

### 2.5.3 `_INLINE` Preprocessor Symbol

`_INLINE` is a preprocessor symbol that is defined (and set to 1) if the parser (or shell utility) is invoked with the `-x2` (or `-x`) option. It allows you to write code so that it will run whether or not inlining is used. It is used by standard header files included with the compiler to control the declaration of standard C runtime functions.

The `_INLINE` symbol is used in the `string.h` header file to declare the function correctly, regardless of whether inlining is used. The `_INLINE` symbol is turned off in the `memcpy` source *before* the header file is included, because it is unknown whether the rest of the module is compiled with inlining.

If the rest of the modules are compiled with inlining enabled *and* the `string.h` header is included, all references to `memcpy` will be inlined and the linker will not have to use the `memcpy` in the runtime-support library to resolve any references. Otherwise, the runtime-support library code will be used to resolve the references to `memcpy` and function calls will be generated.

You will want to use the `_INLINE` preprocessor symbol in the same way so that your programs will run regardless of whether inlining mode is selected for any or all of the modules in your program.

Example 2–1 on page 2-47 illustrates how the runtime support library uses the `_INLINE` symbol.

### Example 2–1. How the Runtime Support Library Uses the `_INLINE` Symbol

```

/*****
/* STRING.H HEADER FILE
/*****
typedef unsigned size_t

#if _INLINE
#define __INLINE static inline /* Declaration when inlining */
#else
#define __INLINE /*No declaration when not inlining*/
#endif

__INLINE void *memcpy (void *_s1, const void *_s2, size_t _n);

#if _INLINE /* Declare the inlined function */
static inline void *memcpy (void *to, const void *from, size_t n)
{
 register char *rto = (char *) to;
 register char *rfrom = (char *) from;
 register size_t rn;

 for (rn = 0; rn < n; rn++) *rto++ =rfrom++;
 return (to);
}
#endif /* _INLINE */

#undef __INLINE

```

```

/*****
/* MEMCPY.C (rtsxx.lib)
/*****
#undef _INLINE /* Turn off so code will be generated
#include <string.h>

void *memcpy (void *to, const void *from, size_t n)
{
 register char *rto = (char *) to;
 register char *rfrom = (char *) from;
 register size_t rn;

 for (rn = 0; rn < n; rn++) *rto++ =rfrom++;
 return (to);
}

```

There are two definitions of the `memcpy` function. The first, in the header file is an inline definition. Note how this definition is enabled and the prototype declared as `static inline` only if `_INLINE` is true: that is, the module including this header is compiled with the `-x` option.

The second definition (in `memcpy.c`) is for the library so that the callable version of `memcpy` exists when inlining is disabled. Since this is not an inline function, the `_INLINE` symbol is undefined (`#undef`) before including `string.h` so that the non-inline version of `memcpy`'s prototype is generated.

If the application is compiled with the `-x` option *and* the `string.h` header is included, all references to `memcpy` in the runtime support library will be inlined and the linker will not have to use the `memcpy` in the runtime support library to resolve any references. Any modules that call `memcpy` that are not compiled with inlining enabled will generate calls that the linker resolves by getting the `memcpy` code out of the library.

You will want to use the `_INLINE` preprocessor symbol in the same way so that your programs will run regardless of whether inlining mode is selected for any or all of the modules in your program.

## 2.6 Using the Interlist Utility

The compiler package includes a utility that interlists your original C source statements into the assembly language output of the compiler. The interlist utility enables you to inspect the assembly code generated for each C statement.

The easiest way to invoke the interlist utility is to use the `-ss` shell option. To compile and run the interlist utility on a program called `function.c`, enter:

```
cl30 -ss function
```

### 2.6.1 Using the Interlist Utility Without the Optimizer

The interlist utility runs as a separate pass between the code generator and the assembler. It reads both the assembly and C source files, merges them, and writes the C statements into the assembly file as comments surrounded by dashes, such as `;-----`. The output assembly file, `function.asm`, is assembled normally. The `-ss` option automatically prevents the `cl30` shell from deleting the interlisted assembly language file (as if you had used `-k`).

Example 2–2 shows a typical interlisted assembly file.

#### Example 2–2. An Interlisted Assembly Language File

```

* FUNCTION NAME : _main *

_main:
;-----
; 6 | main()
;-----
; 8 | int i, j;
;-----
 PUSH FP
 LDI SP,FP
 ADDI 2,SP
;-----
; 10 | i += j;
;-----
 LDI *+FP(2),R0
 ADDI R0,*+FP(1),R1
 STI R1, *+FP(1)
;-----
; 11 | j = i + 123;
;-----
 ADDI 123,R1
 STI R1,*+FP(2)
```



## 2.6.2 Using the Interlist Utility With the Optimizer

If the `-os` option is used with the optimizer (`-o`), the interlist utility does not run as a separate pass. Instead, the optimizer inserts comments into the code indicating how the optimizer has rearranged and optimized the code. These comments appear in the assembly language file as comments starting with `***`.

Optimization makes normal source interlisting impractical because the optimizer extensively rearranges your program. Therefore, when you use the `-os` option, the optimizer writes reconstructed C statements. The comments also include a list of the allocated register variables. Note that occasionally the optimizer interlist comments may be misleading because of copy propagation or assignment of multiple or equivalent variables to the same register.

If the `-os` option is specified and the optimizer (`-o`) is not, the option will be ignored and the following warning will be issued:

```
Optimizer comments requested, optimization not run, ignoring option -os
```

If the `-ss` option is used with the optimizer (`-o`), the original C source code is added to the assembly file by the interlist utility. In this case, to maintain a correspondence between the interlist comments and the code, optimization and instruction scheduling will take place on a line by line basis, roughly corresponding to the instructions between interlist comments. If both the `-ss` and `-os` options are used, the file generated contains the assembly code, the original C source comments, and the optimized source comments.

The `-s` option will interlist optimizer comments into the assembly file if the comments are available; otherwise, it will use the interlist utility to interlist C source into the assembly file.

To invoke the interlist utility outside of the shell, refer to subsection 2.9.4.

## 2.7 How the Compiler Handles Errors

One of the compiler's primary functions is to detect and report errors in the source program. When the compiler encounters an error in your program, it displays a message in the following format:

**"file.c", line n: [ECODE] error message**

"file.c" identifies the filename.

line n: identifies the line number where the error occurs.

[ECODE] is a 4-character error code. A single upper-case letter identifies the error class; a 3-digit number uniquely identifies the error.

error message is the text of the message.

Errors are divided into 4 classes according to severity; these classes are identified by the letters *W*, *E*, *F*, and *I* (*upper-case i*).

### **Code-W Error Messages**

Code-W errors are warnings. They result from a condition that is technically undefined according to the rules of the language, and code may not generate what you intended. This is an example of a code-W error:

```
"file.c", line 42: [W063] illegal type for register variable 'x'
```

### **Code-E Error Messages**

Code-E errors are recoverable. They result from a condition that violates the semantic rules of the language. Although these are normally fatal errors, the compiler can recover and generate an output file if you use the `-pe` option. Refer to subsection 2.7.1 for more information. This is an example of a code-E error:

```
"file.c", line 66: [E056] illegal storage class for function 'f'
```

### **Code-F Error Messages**

Code-F errors are fatal. They result from a condition that violates the syntactic or semantic rules of the language. The compiler cannot recover and therefore does not generate output for code-F errors. This is an example of a code-F error:

```
"file.c", line 71: [F090] structure member 'a' undefined
```

## Code-I Error Messages

Code-I errors are implementation errors. They occur when one of the compiler's internal limits is exceeded. These errors are usually caused by extreme behavior in the source code rather than by explicit errors. In most cases, code-I errors cause the compiler to abort immediately. Most code-I messages contain the maximum value for the limit that was exceeded. (Those limits that are absolute are also listed in Section 3.11 on page 3-24.) This is an example of a code-I error:

```
"file.c", line 99: [I015] block nesting too deep (max=20)
```

## Other Error Messages

The compiler also reports other errors, such as incorrect command line syntax or inability to find specified files. These errors are usually fatal and are identified by the symbol >> preceding the message.

This is an example of such an error:

```
>> Cannot open source file 'mystery.c'
```

### 2.7.1 Treating Code-E Errors as Warnings (`-pe` Option)

A *fatal error* is an error that prevents the compiler from generating an output file. Normally, code-E, -F, and -I errors are fatal, while -W errors are not fatal. The `-pe` shell option causes the compiler to effectively treat code-E errors as warnings, so that the compiler will generate code for the file despite the error.

Using `-pe` allows you to bend the rules of the language, so be careful. As with any warning, the compiler may not generate what you expect.

Note that there is no way to specify recovery from code-F or -I errors; these are always fatal and prevent generation of a compiled output file.

### 2.7.2 Suppressing Warning Messages (`-pw` Option)

The `-pw` options inform the compiler to quietly ignore or to generate certain code-W messages (warnings).

You can suppress all warning messages with the `-pw0` (or `-pw`) option. This can be useful when you are aware of the condition causing a warning and consider it innocuous.

The `-pw1` option causes the compiler to report serious warning messages. This is the default.

The `-pw2` option causes the compiler to report all warning messages, including messages that report undeclared functions at their point of call.

### 2.7.3 An Example of How You Can Use Error Options

The following example demonstrates how the `-pe` and `-pw` options can be used to suppress errors and error messages. The examples use this 2-line code segment:

```
int *pi; char *pc;
pi = pc;
```

- If you invoke the code with the shell (and `-q`), this is the result:

```
[err]
"err.c", line3:
```

```
[E104] operands of '=' point to different types
```

In this case, because code-E errors are fatal, the compiler does not generate code.

- If you invoke the code with the shell and the `-pe` option, this is the result:

```
[err]
"err.c", line3:
```

```
[E104] operands of '=' point to different types
```

In this case, the same message is generated, but because `-pe` is used, the compiler ignores the error and generates an output file.

- If you invoke the code with the shell and `-pe` and `-pw`, this is the result:

```
[err]
```

As in the previous case, `-pe` causes the compiler to overlook the error and generate code. Because the `-pw` option is used, the message is suppressed.

## 2.8 Intrinsics

The compiler supports nine intrinsic functions: “built-in” functions whose bodies are supplied by the code generator. The supported intrinsics provide access to certain conversion and math instructions, as described in Table 2–3.

Table 2–3. Supported Intrinsic Functions

| Function        | Description                                                                                                  | Processor(s) |
|-----------------|--------------------------------------------------------------------------------------------------------------|--------------|
| abs(i)          | Integer absolute value of i via ABSI instruction                                                             | all          |
| labs(l)         | Long integer absolute value of l via ABSI instruction                                                        | all          |
| fabs(f)         | Floating-point absolute value of f via ABSF instruction                                                      | all          |
| toieee(f)       | Conversion of floating-point variable f to IEEE format via TOIEEE instruction                                | C4x          |
| frieee(f)       | Conversion of IEEE formatted variable f to floating-point format via FRIEEE instruction                      | C4x          |
| fast_ftoi(f)    | Conversion of floating-point variable f to integer via FIX instruction                                       | all          |
| ansi_ftoi(f)    | Conversion of floating-point variable f to integer using ANSI compatible conversion sequence                 | all          |
| fast_imult(i,j) | 24-bit integer multiplication of i and j using MPYI instruction (similar to specifying the -mm shell option) | C3x          |
| fast_invf(f)    | 16-bit floating-point inverse of f using RCPF instruction                                                    | C4x          |

When working with intrinsics, it is important to be aware of the following:

- ❑ *If the -x0 shell option is specified (disabling inline expansion), the compiler treats intrinsic functions as regular function calls.* This means that, at link time, the linker will look for a function with the appropriate name and issue an error message if it has not been defined. It is your responsibility to provide such a function. Note, however, that the runtime-support library includes callable functions for the abs, labs, and fabs intrinsics.

- ❑ You should include the `intrin.h` file in any file that uses the intrinsic functions.
- ❑ The `fast_ftoi` intrinsic is similar to the `-mc` shell option in that both cause the compiler to perform fast floating-point to integer conversions via the `FIX` instruction. However, the intrinsic gives you expression-by-expression control over this effect. The intrinsic performs the fast conversion whether or not the shell option is specified.
- ❑ The `ansi_ftoi` intrinsic causes the compiler to perform an ANSI-compatible floating-point to integer conversion via a standard sequence of instructions. The intrinsic gives you expression-by-expression control over this effect. Note that the `ansi_ftoi` intrinsic overrides the `-mc` shell option; the compiler will perform the ANSI-compatible conversion even if the `-mc` shell option is specified.
- ❑ The `fast_imult` intrinsic is similar to the `-mm` shell option in that both cause the compiler to use 24-bit multiplication via the `MPYI` instruction. However, the intrinsic gives you expression-by-expression control over this effect. The intrinsic performs the 24-bit multiplication whether or not the shell option is specified.
- ❑ If the `fast_invf` intrinsic is used, the compiler will use the 16-bit `RCPF` instruction rather than a 32-bit call to the `INV_F40` function.

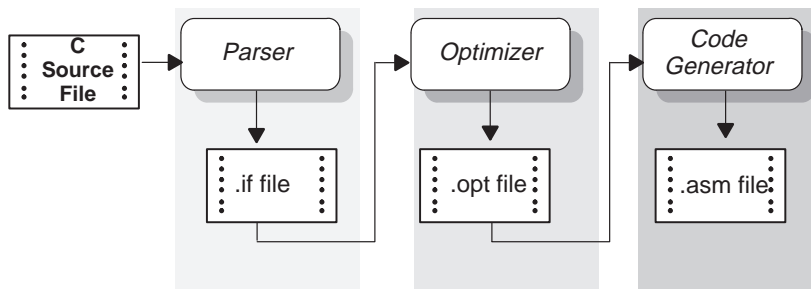
## 2.9 Invoking the Tools Individually

The TMS320C3x/C4x C compiler offers you the versatility of invoking all of the tools at once, using the shell, or invoking each of the tools individually. To satisfy a variety of applications, you can invoke the compiler (parser, optional optimizer, and code generator), the assembler, and the linker as individual programs. This section also describes how to invoke the interlist utility outside the shell.

### Compiler

The compiler is made up of three distinct programs: the parser, optimizer, and code generator.

Figure 2–3. Compiler Overview



The input for the **parser** is a C source file. The parser reads the source file, checking for syntax and semantic errors, and writes out an internal representation of the program called an intermediate file. Subsection 2.9.1, page 2-57, describes how to run the parser, and also describes how to run the parser in two passes: the first pass preprocesses the code, and the second pass parses the code.

The **optimizer** is an optional pass that runs between the parser and the code generator. The input is the intermediate file (.if) produced by the parser. When you run the optimizer, you choose the level of optimization. The optimizer performs the optimizations on the intermediate file and produces a highly efficient version of the file in the same intermediate file format. Section 2.4, page 2-38, describes the optimizer.

The input for the **code generator** is the intermediate file produced by the parser (.if) or the .opt file from the optimizer. The code generator produces an assembly language source file. Subsection 2.9.3, page 2-62, describes how to run the code generator.

## Assembler

The input for the **assembler** is the assembly language file produced by the code generator. The assembler produces a COFF object file. The assembler is described fully in the *TMS320C3x/C4x Assembly Language Tools User's Guide*.

## Interlist Utility

The inputs for the interlist utility are the assembly file produced by the compiler and the C source file. The utility produces an expanded assembly source file containing statements from the C file as assembly language comments. Section 2.6 on page 2-49 describes the interlisting file and subsection 2.9.4 on page 2-64 describes the use of the interlist utility.

## Linker

The input for the **linker** is the COFF object file produced by the assembler. The linker produces an executable object file. Section 2.10 describes how to run the linker. The linker is described fully in the *TMS320C3x/C4x Assembly Language Tools User's Guide*.

### 2.9.1 Invoking the Parser

The first step in compiling a TMS320C3x/C4x C program is to invoke the C parser. The parser reads the source file, performs preprocessing functions, checks the syntax, and produces an intermediate file that can be used as input for the code generator.

To invoke the parser, enter:

```
ac30 input file [output file] [options]
```

|                    |                                                                                                                                                                                                                                    |
|--------------------|------------------------------------------------------------------------------------------------------------------------------------------------------------------------------------------------------------------------------------|
| <b>ac30</b>        | is the command that invokes the parser.                                                                                                                                                                                            |
| <i>input file</i>  | names the C source file that the parser uses as input. If you don't supply an extension, the parser assumes that the file's extension is <i>.c</i> .                                                                               |
| <i>output file</i> | names the intermediate file that the parser creates. If you don't supply a filename for the output file, the parser uses the input filename with an extension of <i>.if</i> .                                                      |
| <i>options</i>     | affect parser operation. Each option available for the standalone parser has a corresponding shell option that performs the same function. Table 2-4 shows the shell options, the parser options, and the corresponding functions. |



Table 2–4. Parser Options and Shell Options

| ac30 Option                     | Shell Option          | Function                                                           |
|---------------------------------|-----------------------|--------------------------------------------------------------------|
| –@ <i>name</i>                  | –@ <i>name</i>        | causes the parser to read options from the specified file          |
| –?                              | –p?                   | enable trigraph expansion                                          |
| – <i>dname</i> [=def]           | – <i>dname</i> [=def] | predefine macro <i>name</i>                                        |
| –e                              | –pe                   | treat code-E errors as warnings                                    |
| –f                              | –pf                   | prototype declared functions                                       |
| –i <i>dir</i>                   | –i <i>dir</i>         | define #include search path                                        |
| –k                              | –pk                   | allow K&R compatibility                                            |
| – <i>lname</i><br>(lowercase L) | – <i>plname</i>       | generate .pp file                                                  |
| –mb                             | –mb                   | use big memory model                                               |
| –mr                             | –mr                   | use register-argument runtime model                                |
| –n                              | –pn                   | suppress #line directives                                          |
| –o                              | –po                   | preprocess only                                                    |
| –p                              | –pm                   | compile all input modules into a single output module              |
| –q                              | –q                    | suppress progress messages (quiet)                                 |
| –r                              | –pr                   | write parser error messages to file                                |
| –tf                             | –tf                   | relax prototype checking                                           |
| –tp                             | –tp                   | relax pointer combination                                          |
| – <i>uname</i>                  | – <i>uname</i>        | undefine macro <i>name</i>                                         |
| –vxx                            | –vxx                  | select CPU version                                                 |
| –w0 (or –w)                     | –pw0 (or –pw)         | suppress all warning messages                                      |
| –w1                             | –pw1                  | enable serious warning messages (default)                          |
| –w2                             | –pw2                  | enable all warning messages                                        |
| –x0                             | –x0                   | disable inline expansion                                           |
|                                 | –x1                   | expand <i>abs</i> , <i>fabs</i> , and <i>labs</i> inline (default) |
| –x                              | –x or –x2             | #define _INLINE                                                    |

## Parsing in Two Passes

Compiling very large source programs on small host systems such as PCs can cause the compiler to run out of memory and fail. You may be able to work around such host memory limitations by running the parser as two separate passes: the first pass preprocesses the file, and the second pass parses the file.

When you run the parser as one pass, it uses host memory to store both macro definitions and symbol definitions simultaneously. But when you run the parser as two passes, these functions can be separated. The first pass performs only preprocessing, therefore memory is needed only for macro definitions. In the second pass, there are no macro definitions, therefore memory is needed only for the symbol table.

The following example illustrates how to run the parser as two passes:

- 1) Run the parser with the `-po` option, specifying preprocessing only.

```
cl30 -po file.c
```

If you want to use the `-d`, `-mr`, `-u`, `-v`, `-x`, or `-i` options, use them on this first pass. This pass produces a preprocessed output file called `file.pp`. For more information about the preprocessor, refer to Section 2.2.

- 2) Rerun the whole compiler on the preprocessed file to finish compiling it.

```
cl30 file.pp
```

You can use any other options on this final pass.

### 2.9.2 Optimizing Parser Output

The second step in compiling a TMS320C3x/C4x C program — optimizing — is optional. After parsing a C source file, you can choose to process the intermediate file with the optimizer. The optimizer improves the execution speed and reduces the size of C programs. The optimizer reads the intermediate file, optimizes it according to the level you choose, and produces an intermediate file. The intermediate file has the same format as the original intermediate file, but it enables the code generator to produce more efficient code.

To invoke the optimizer, enter:

**opt30** [*input file* [*output file* ]] [*options*]

|                    |                                                                                                                                                                                                                                                                                                                                                                                                                                                    |
|--------------------|----------------------------------------------------------------------------------------------------------------------------------------------------------------------------------------------------------------------------------------------------------------------------------------------------------------------------------------------------------------------------------------------------------------------------------------------------|
| <b>opt30</b>       | is the command that invokes the optimizer.                                                                                                                                                                                                                                                                                                                                                                                                         |
| <i>input file</i>  | names the intermediate file produced by the parser. The optimizer assumes that the extension is <i>.if</i> .                                                                                                                                                                                                                                                                                                                                       |
| <i>output file</i> | names the intermediate file that the optimizer creates. If you don't supply a filename for the output file, the optimizer uses the input filename with an extension of <i>.opt</i> .                                                                                                                                                                                                                                                               |
| <i>options</i>     | affect the way the optimizer processes the input file. The options that you use in standalone optimization are the same as those used for the shell. Besides the optimizer options, some other compiler options may be used with the optimizer. Those formats are shown in Table 2-5. Section 2.4 provides a detailed list of the optimizations performed at each level. Detailed explanations of each optimizer option may be found on page 2-26. |

Table 2–5. Optimizer Options and Shell Options

| opt30 Option | Shell Option | Function                                                                                           |
|--------------|--------------|----------------------------------------------------------------------------------------------------|
| -a           | -ma          | assume variables are aliased                                                                       |
| -f           | -mf          | force indirect access to externals                                                                 |
| -h0          | -oI0         | specify that this file alters a standard library function (-o3 only)                               |
| -h1          | -oI1         | specify that this file defines a standard library function (-o3 only)                              |
| -h2          | -oI2         | specify that this file does not define or alter library functions (-o3 only)                       |
| -isize       | -oIsize      | set automatic inlining size (-o3 only)                                                             |
| -k           | -pk          | allow K&R compatibility                                                                            |
| -m           | -mm          | enable short multiply (*C3x only)                                                                  |
| -n0          | -on0         | do not produce information file                                                                    |
| -n1          | -on1         | produce information file                                                                           |
| -n2          | -on2         | produce verbose information file                                                                   |
| -o0          | -o0          | level 0; register optimization                                                                     |
| -o1          | -o1          | level 1; level 0 + local optimization                                                              |
| -o2          | -o2          | level 2; level 1 + global optimization                                                             |
| -o3          | -o3          | level 3; level 2 + file optimization                                                               |
| -p0          | -op0         | specify that callable functions and/or modifiable variables are used in this module                |
| -p1          | -op1         | specify that no callable functions are used in this module (default)                               |
| -p2          | -op2         | specify that no modifiable variables or callable functions are used in this module                 |
| -p3          | -op3         | specify that no modifiable variables are used in this module, but modifiable functions may be used |
| -q           | -q           | suppress progress messages (quiet)                                                                 |
| -r           | -mr          | use register-argument runtime model                                                                |
| -s           | -os or -s    | interlist optimizer comments                                                                       |
| -u           | -ou          | allow zero-overhead loop operations                                                                |
| -vxx         | -vxx         | specify processor; xx = 30, 31, 32, 40, or 44 (default is -v30)                                    |
| -z           |              | optimize primarily to reduce size, then to improve speed                                           |

### 2.9.3 Invoking the Code Generator

The third step in compiling a TMS320C3x/C4x C program is to invoke the C code generator. As Figure 2–3 on page 2-56 shows, the code generator converts the intermediate file produced by the parser into an assembly language source file for input to the TMS320 floating-point assembler. You can modify this output file or use it as input for the assembler. The code generator produces re-entrant relocatable code, which, after assembling and linking, can be stored in ROM.

To invoke the code generator as a standalone program, enter:

```

cg30 [input file [output file [tempfile]]] [options]
```

|                    |                                                                                                                                                                                                                                                                                                      |
|--------------------|------------------------------------------------------------------------------------------------------------------------------------------------------------------------------------------------------------------------------------------------------------------------------------------------------|
| <b>cg30</b>        | is the command that invokes the code generator.                                                                                                                                                                                                                                                      |
| <i>input file</i>  | names the intermediate file that the code generator uses as input. If you don't supply an extension, the code generator assumes that the extension is <i>.if</i> . If you don't specify an input file, the code generator will prompt you for one.                                                   |
| <i>output file</i> | names the assembly language source file that the code generator creates. If you don't supply a filename for the output file, the code generator uses the input filename with the extension of <i>.asm</i> .                                                                                          |
| <i>tempfile</i>    | names a temporary file that the code generator creates and uses. The default filename for the temporary file is the input filename appended to an extension of <i>.tmp</i> . The code generator deletes this file after using it.                                                                    |
| <i>options</i>     | affect the way the code generator processes the input file. Each option available for the standalone code generator mode has a corresponding shell option that performs the same function. The following table shows the shell options, the code generator options, and the corresponding functions. |

Table 2–6. Code Generator Options and Shell Options

| cg30 Option   | Shell Option | Function                                                        |
|---------------|--------------|-----------------------------------------------------------------|
| –gb           | –mb          | enable the big memory model                                     |
| –gc           | –mc          | fast floating–point to integer conversions                      |
| –gi           | –mi          | disables RPTS instructions for loops (uses RPTB)                |
| –gl           | –ml          | use far calls for runtime support assembly calls                |
| –gm           | –mm          | enable short multiply (‘C3x only)                               |
| –gn           | –mn          | re-enable optimizations disabled by symbolic debugging          |
| –gp           | –mp          | perform speed optimizations at the cost of code size            |
| –gr0          |              | use standard (stack) runtime model                              |
| –gr1 (or –gr) | –mr          | use register-argument runtime model                             |
| –gs           | –ms          | assume all memory is accessible when optimizing                 |
| –gsrev#       |              | specify silicon revision (see –msrev in shell)                  |
| –gt           | –mt          | generate Ada compatible frame structure                         |
| –gtc          | –mtc         | generate Tartan C function names                                |
| –n            | –o –s        | perform optimizations while generating interlist information    |
| –o            | –g           | enable symbolic debugging                                       |
| –q            | –q           | suppress progress messages (quiet)                              |
| –vxx          | –vxx         | specify processor; xx = 30, 31, 32, 40, or 44 (default is –v30) |
| –z            |              | retain the input file                                           |

† –z tells the code generator to retain the input file (the intermediate file created by the parser). This option is useful for creating several output files with different options; for example, you might want to use the same intermediate file to create one file that contains symbolic debugging directives (–o option) and one that doesn’t. Note that if you do not specify the –z option, the code generator deletes the input (intermediate) file.

## 2.9.4 Invoking the Interlist Utility

The fourth step in compiling a TMS320C3x/C4x C program is optional. After you have compiled a program, you can run the interlist utility. To run the interlist utility from the command line, the syntax is:

```
clist asmfile [outfile] [-options]
```

- clist** is the command that invokes the interlist utility.
- asmfile* is the filename of assembly language output from the compiler.
- outfile* names the interlisted output file. If you omit this, the file has the same name as the assembly file with an extension **.cl**.
- options* control the operation of the utility as follows:
- b** removes blanks and useless lines (lines containing comments or lines containing only { or }).
  - r** removes symbolic debugging directives.
  - q** suppresses banner and status information.

The interlist utility uses .line directives, produced by the code generator, to associate assembly code with C source. For this reason, when you compile the program, you *must* use the **-g** shell option to specify symbolic debugging if you want to interlist it. If you do not want the debugging directives in the output, use the **-r** interlist option to remove them from the interlisted file.

The following example shows how to compile and interlist function.c. To compile, enter:

```
cl30 -gk -mn function
```

This compiles and produces symbolic debugging directives, keeps the assembly language file, and allows normal optimization.

To produce an interlist file, enter

```
clist -r function
```

This interlists and removes debugging directives from the file. The output from this example is function.cl.

## 2.10 Linking C Code

The TMS320C3x/C4x C compiler and assembly language tools provide two methods for linking your programs:

- you can link object files using the linker alone.
- you can compile, assemble, and link in one step by using the shell. This is useful when you have a single source module.

This section describes how to invoke the linker with each method. It also discusses special requirements of linking C code: including the runtime-support libraries, specifying the initialization model, and allocating the program into memory.

### 2.10.1 Invoking the Linker

The TMS320C3x/C4x C compiler and assembly language tools support modular programming by allowing you to compile and assemble individual modules and then link them together.

The general syntax for invoking the linker is:

**Ink30** *[-options] filename<sub>1</sub> ... filename<sub>n</sub>*

|                  |                                                                                                                                                                                                                                                                                                                                               |
|------------------|-----------------------------------------------------------------------------------------------------------------------------------------------------------------------------------------------------------------------------------------------------------------------------------------------------------------------------------------------|
| <b>Ink30</b>     | is the command that invokes the linker.                                                                                                                                                                                                                                                                                                       |
| <i>options</i>   | can appear anywhere on the command line or in a linker command file. (Options are discussed in Table 2-1, page 2-6.)                                                                                                                                                                                                                          |
| <i>filenames</i> | can be object files, linker command files, or archive libraries. The default extension for all input files is <i>.obj</i> ; any other extension must be explicitly specified. The linker can determine whether the input file is an object file or an ASCII file that contains linker commands. The default output filename is <i>a.out</i> . |

Linker options can be specified on the command line or in a command file. The command file allows you to use the MEMORY and SECTIONS directives, which can customize your memory to your specifications. If you enter the Ink30 command with no options, the linker will prompt for them.

```
Command files :
Object files [.obj] :
Output files [] :
Options :
```



This is the usual syntax for linking compiler-based C programs as a separate step:

|              |                             |                           |                          |
|--------------|-----------------------------|---------------------------|--------------------------|
| <b>Ink30</b> | <b>-c</b> <i>filenames</i>  | <b>-o</b> <i>name.out</i> | <b>-l</b> <i>rts.lib</i> |
|              | <i>or</i>                   |                           |                          |
| <b>Ink30</b> | <b>-cr</b> <i>filenames</i> | <b>-o</b> <i>name.out</i> | <b>-l</b> <i>rts.lib</i> |

**Ink30** is the command that invokes the linker.

**-c/-cr** are options that tell the linker to use special conventions defined by the C environment. Note that when you use the shell to link, it automatically passes **-c** to the linker.

*filenames* are object files created by compiling and assembling C programs.

**-o *name.out*** names the output file. If you don't use the **-o** option, the linker creates an output file with the default name of **a.out**.

**-l *rts.lib*** identifies the appropriate archive library containing C runtime-support and floating-point math functions. (The **-l** option tells the linker that a file is an object library.) If you're linking C code, you must use a runtime-support library. The *rts.lib* library is included with the C compiler.

Whenever you specify a library as linker input, the linker includes and links only those library members that resolve undefined references. For example, you can link a C program consisting of modules *prog1*, *prog2*, and *prog3* (the output file is named *prog.out*):

```
Ink30 -c prog1 prog2 prog3 -l rts30.lib -o prog.out
```

The linker uses a default allocation algorithm to allocate your program into memory. You can use the **MEMORY** and **SECTIONS** linker directives to customize the allocation process, and you can also use other linker options, described in Table 2-1 on page 2-6. These directives are also described in Chapter 8 of the *TMS320C3x/C4x Assembly Language Tools User's Guide*.

### 2.10.2 Using the Shell to Invoke the Linker (**-z** Option)

The options and parameters discussed in this section apply to both methods of linking; however, when you are linking with the shell, the options follow the **-z** shell option.

By default, the shell does not run the linker. However, if you use the **-z** option, the shell compiles, assembles, and links in one step. When using **-z** to enable linking, remember that:

- **-z** must follow all source files and compiler options on the command line (or be specified with **C\_OPTION**)

- ❑ `-z` divides the command line into compiler options (before `-z`) and linker options (following `-z`)
- ❑ `-c` and `-n` suppress `-z`, so do not use them if you want to link

For all arguments that follow `-z` on the command line, the shell generates a linker command file containing the arguments. The shell passes the command file to the linker. In this way, you are not limited by command line size restrictions. The arguments can be other linker command files, object files, linker options, or libraries. For example, to compile and link all the `.c` files in a directory, enter:

```
cl30 -sq *.c -z c.cmd -o prog.out -l rts30.lib
```

The shell will call the compiler using the `-s` and `-q` options to compile all of the files in the current directory that end with a `.c` extension. Because `-z` is specified, the shell will generate a command file containing all of the arguments following the `-z` option and then invoke the linker with this command file. The linker will link together all of the object files produced during compilation, the runtime support library, and any additional files specified in `c.cmd`. The resulting linked file will be named `prog.out`.

The order in which the linker processes arguments can be important, especially for command files and libraries. The `cl30` shell passes arguments to the linker in the following order:

- 1) Object file names from the command line
- 2) Arguments following `-z` on the command line
- 3) Arguments following `-z` from the `C_OPTION` environment variable

### ***-c and -n Shell Options***

You can override the `-z` option by using the `-c` or `-n` shell options. The `-c` option is especially helpful when you have specified `-z` in the `C_OPTION` environment variable and want to selectively disable linking with `-c` on the command line. The `-n` option causes the shell to stop the process after compilation.

*The `-c` linker option has a different function than, and is independent of, the `-c` shell option.* By default, the shell automatically uses the `-c` linker option that tells the linker to use C linking conventions (ROM model of initialization). If you want to use `-cr` (RAM model of initialization) rather than `-c`, you can pass `-cr` as a linker option instead.

### 2.10.3 Controlling the Linking Process

Regardless of the method you choose for invoking the linker, special requirements apply when linking C programs. You must:

- include the compiler's runtime-support library
- specify the initialization model
- determine how you want to allocate your program into memory

This section discusses how these factors are controlled and provides an example of the standard default linker command file.

For more information about how to operate the linker, refer to Chapter 8 of the *TMS320C3x/C4x Assembly Language Tools User's Guide*.

#### ***Runtime-Support Libraries***

All C programs must be linked with a runtime-support library. This archive library contains standard C library functions (such as `malloc` and `strcpy`) as well as functions used by the compiler to manage the C environment. To link a library, simply use the `-l` option on the command line:

```
lnk30 -c filenames -l rts30.lib -l flib30.lib ... or
lnk30 -cr filenames -l rts30.lib -l flib30.lib ...
```

Eight versions of the standard C runtime-support libraries are included with the compiler. Refer to section 2.3 for further information on the included runtime support libraries.

Generally, the libraries should be specified as the last filename on the command line because the linker searches libraries for unresolved references in the order that files are specified on the command line. If any object files follow a library, references from those object files to that library will not be resolved. You can use the `-x` option to force the linker to reread all libraries until references are resolved. Whenever you specify a library as linker input, the linker includes and links only those library member that resolve undefined references.

All C programs must be linked with an object module called *boot.obj*. When a program begins running, it executes `boot.obj` first. `boot.obj` contains code and data for initializing the runtime environment; the linker automatically extracts `boot.obj` and links it when you use `-c` or `-cr` and include `rts.lib` in the link.

Chapter 5 describes additional runtime-support functions that are included in `rts.lib`. These functions include ANSI C standard runtime support.

## Initialization (RAM and ROM Models)

The C compiler produces tables of data for autoinitializing global variables. The format of these tables is discussed on page 4-37. These tables are in a named section called *.cinit*. The initialization tables can be used in either of two ways:

**RAM Model** (`-cr` linker option)

Global variables are initialized at *load time*. Use the `-cr` linker option to select the RAM model. For more information about the RAM model, refer to page 4-38.

**ROM Model** (`-c` linker option)

Global variables are initialized at *runtime*. Use the `-c` linker option to select the ROM model. For more information about the ROM model, refer to page 4-37.

## The `-c` and `-cr` Linker Options

Whenever you link a C program, you must use either the `-c` or the `-cr` option. These options tell the linker to use special conventions required by the C environment; for example, they tell the linker to select the ROM or RAM model of autoinitialization. Note that when you use the shell to link programs, the `-c` option is the default. The following list outlines the linking conventions used with `-c` or `-cr`:

- The symbol `_c_int00` is defined as the program entry point; it identifies the beginning of the C boot routine in `boot.obj`. When you use `-c` or `-cr`, `_c_int00` is automatically referenced; this ensures that `boot.obj` is automatically linked in from the runtime-support library used.
- The `.cinit` output section is padded with a termination record so that the loader (RAM model) or the boot routine (ROM model) knows when to stop reading the initialization tables.
- In the **RAM model** (`-cr` option),
  - The linker sets the symbol `cinit` to `-1`. This indicates that the initialization tables are not in memory, so no initialization is performed at runtime.

- The STYP\_COPY flag (010h) is set in the .cinit section header. STYP\_COPY is the special attribute that tells the loader to perform autoinitialization directly and not to load the .cinit section into memory. The linker does not allocate space in memory for the .cinit section.

*Note that a loader is not included as part of the C compiler package.*

- In the **ROM model** (–c option), the linker defines the symbol cinit as the starting address of the .cinit section. The C boot routine uses this symbol as the starting point for autoinitialization.

## Sections Created by the Compiler

The compiler produces five relocatable blocks of code and data. These blocks, called **sections**, can be allocated into memory in a variety of ways to conform to a variety of system configurations.

The compiler creates two basic kinds of sections: initialized and uninitialized. Table 2–7 summarizes the sections.

Table 2–7. Sections Created by the Compiler

| Name      | Type          | Contents                                                                                 |
|-----------|---------------|------------------------------------------------------------------------------------------|
| .bss      | Uninitialized | global and static variables                                                              |
| .cinit    | Initialized   | initialization values for explicitly initialized global and static variables             |
| .const    | Initialized   | global and static constant variables that are explicitly initialized and string literals |
| .stack    | Uninitialized | software stack                                                                           |
| .text     | Initialized   | executable code and floating-point constant                                              |
| .systemem | Uninitialized | memory for malloc functions                                                              |

When you link your program, you must specify where to locate the sections in memory. In general, initialized sections can be linked into ROM or RAM; uninitialized sections must be linked into RAM. Refer to subsection 4.1.1 on page 4-2 for a complete description of how the compiler uses these sections. The linker provides MEMORY and SECTIONS directives for performing this process.

For more information about allocating sections into memory, refer to Chapter 9, in the *TMS320C3x/C4x Assembly Language Tools User's Guide*.

## Sizing the Stack and Heap

The linker provides four options that allow you to specify the size of the .stack and .systemem sections.

- stackxxxx** sets the size of the `.stack` section to `xxxx` words. The value `xxxx` must be constant.
- heapxxxx** sets the size of the `.system` section to `xxxx` words. The value `xxxx` must be constant.
- heap8xxxx** sets the size of the `.sysm8` section to `xxxx` words (for C32 8-bit memory support). The value of `xxxx` must be constant.
- heap16xxxx** sets the size of the `.sysm16` section to `xxxx` words (for C32 16-bit memory support). The value of `xxxx` must be constant.

The linker always includes the stack section; and includes the `.system`, `.sysm8`, or `.sysm16` sections only if you use memory allocation functions (such as `malloc()`, `malloc8()`, or `malloc16()`). The default size for all sections is 1K (1024) words. Note, however, that the `.sysm8` and `.sysm16` sections are not created unless the 8-bit or 16-bit memory support functions are linked.

### ***Allocating the .bss and .const Section***

When you use the small memory (default) model, the sum of the *entire* `.bss` and `.const` section must fit within a single 64K word long data page *and* must not cross any 64K address boundaries. Use the linker's **block** qualifier to help guarantee the correct allocation of `.bss` and `.const`.

### ***Sample Linker Command File***

The compiler package includes two sample linker command files called `c30.cmd` and `c40.cmd` that can be used to link C programs. To link your program using a command file, enter the following command:

```
lnk30 object.files -o output.file -m map.file c30.cmd
```

Figure 2–4 shows the contents of `c30.cmd`. Figure 2–5 shows the contents of `c40.cmd`.

To link your program using the TMS320C4x command file, enter the following command:

```
lnk30 object.files -o output.file -m map.file c40.cmd
```

Figure 2–4. Sample Linker Command File for TMS320C3x C Programs

```

/*****
/* C30.CMD - v4.60 COMMAND FILE FOR LINKING C30 C PROGRAMS */
/* */
/* Usage: lnk30 <obj files...> -o <out file> -m <map file> c30.cmd */
/* */
/* Description: This file is a sample command file that can be used */
/* for linking programs built with the TMS320C30 C */
/* Compiler. Use it a guideline; you may want to change */
/* the allocation scheme according to the size of your */
/* program and the memory layout of your target system. */
/* */
/* Notes: (1) Be sure to use the right library! Use a library that */
/* matches the runtime model you are using. */
/* */
/* (2) You must specify the directory in which rts.lib is */
/* located. Either add a "-i<directory>" line to this */
/* file, or use the system environment variable C_DIR to */
/* specify a search path for libraries. */
/* */
/* (3) When using the small (default) memory model, be sure */
/* that the ENTIRE .bss section fits within a single page. */
/* To satisfy this, .bss must be smaller than 64K words and */
/* must not cross any 64K boundaries. */
/*****
-c /* LINK USING C CONVENTIONS */
-stack 0x400 /* 1K STACK */
-heap 0x400 /* 1K HEAP */
-lrts30.lib /* GET RUN-TIME SUPPORT */

/* SPECIFY THE SYSTEM MEMORY MAP */

MEMORY
{
 ROM: org = 0x0 len = 0x1000 /* INTERNAL 4K ROM */
 EXT0: org = 0x1000 len = 0x7ff000 /* EXTERNAL MEMORY */
 XBUS: org = 0x800000 len = 0x2000 /* EXPANSION BUS */
 IOBUS: org = 0x804000 len = 0x2000 /* I/O BUS */
 RAM0: org = 0x809800 len = 0x400 /* RAM BLOCK 0 */
 RAM1: org = 0x809c00 len = 0x400 /* RAM BLOCK 1 */
 EXT1: org = 0x80a000 len = 0x7f6000 /* EXTERNAL MEMORY */
}

/* SPECIFY THE SECTIONS ALLOCATION INTO MEMORY */

SECTIONS
{
 .text: > EXT0 /* CODE */
 .cinit: > EXT0 /* INITIALIZATION TABLES */
 .const: > EXT0 /* CONSTANTS */
 .stack: > RAM0 /* SYSTEM STACK */
 .system: > RAM1 /* DYNAMIC MEMORY (HEAP) */
 .bss: > EXT1, block 0x10000 /* VARIABLES */
}

```

Figure 2–5. Sample Linker Command File for TMS320C4x C Programs

```

/*****
/* C40.CMD - v4.60 COMMAND FILE FOR LINKING C40 C PROGRAMS */
/* */
/* Usage: lnk30 <obj files...> -o <out file> -m <map file> c40.cmd */
/* */
/* Description: This file is a sample command file that can be used
/* for linking programs built with the TMS320C40 C
/* Compiler. Use it a guideline; you may want to change
/* the allocation scheme according to the size of your
/* program and the memory layout of your target system.
/* */
/* Notes: (1) Be sure to use the right library! Use a library that
/* matches the runtime model you are using.
/* */
/* (2) You must specify the directory in which rts.lib is
/* located. Either add a "-i<directory>" line to this
/* file, or use the system environment variable C_DIR to
/* specify a search path for libraries.
/* */
/* (3) When using the small (default) memory model, be sure
/* that the ENTIRE .bss section fits within a single page.
/* To satisfy this, .bss must be smaller than 64K words and
/* must not cross any 64K boundaries.
/* */
*****/
-c /* LINK USING C CONVENTIONS */
-stack 0x400 /* 1K STACK */
-heap 0x400 /* 1K HEAP */
-lrts40.lib /* GET RUN-TIME SUPPORT */

/* SPECIFY THE SYSTEM MEMORY MAP */
MEMORY
{
 ROM: org = 0x000000 len = 0x1000 /* INTERNAL ROM */
 RAM0: org = 0x2FF800 len = 0x400 /* RAM BLOCK 0 */
 RAM1: org = 0x2FFC00 len = 0x400 /* RAM BLOCK 1 */
 LOCAL: org = 0x300000 len = 0x7D00000 /* LOCAL BUS */
 GLOBAL: org = 0x8000000 len = 0x8000000 /* GLOBAL BUS */
}

/* SPECIFY THE SECTIONS ALLOCATION INTO MEMORY */
SECTIONS
{
 .text: > LOCAL /* CODE */
 .cinit: > LOCAL /* INITIALIZATION TABLES */
 .const: > LOCAL /* CONSTANTS */
 .stack: > RAM0 /* SYSTEM STACK */
 .system: > RAM1 /* DYNAMIC MEMORY (HEAP) */
 .bss: > LOCAL, block 0x10000 /* VARIABLES */
}

```



In these command files, the `-c` option specifies that the linker use the ROM initialization model, and the `-l` (lowercase “L”) option with `rts30.lib` (or any of the runtime support libraries) specifies that the linker search for the library named. If the library is not in the current directory, you can customize the command file to use `C_DIR` or the `-i` option to define a path where the `rts.lib` can be found.

You will most likely have to customize the command file to fit a particular application by adding or modifying options, libraries, memory configurations, and section allocations. If you use the RAM initialization model, change `-c` to `-cr`. If you use the big memory model, you can remove the 64K-word blocking on the `.bss` section.

For more information about operating the linker, refer to the linker chapter in the *TMS320C3x/C4x Assembly Language Tools User's Guide*.

# TMS320C3x/C4x C Language

The TMS320C3x/C4x C compiler supports the C language based on the ANSI (American National Standards Institute) C standard. This standard was developed by a committee chartered by ANSI to standardize the C programming language.

ANSI C supersedes the de facto C standard, which was described in the first edition of *The C Programming Language* and based on the UNIX System V C language. The ANSI standard is described in the American National Standard for Information Systems—Programming Language C X3.159-1989. The second edition of *The C Programming Language*, by Kernighan and Ritchie, is based on the ANSI standard and is used here as a reference. ANSI C encompasses many of the language extensions provided by recent C compilers and formalizes many previously unspecified characteristics of the language.

The TMS320C3x/C4x C compiler strictly conforms to the ANSI C standard. The ANSI standard identifies certain implementation-defined features that may differ from compiler to compiler, depending on the type of processor, the runtime environment, and the host environment. This chapter describes how these and other features are implemented for the TMS320C3x/C4x C compiler. These are the topics covered in this chapter:

| Topic                                              | Page |
|----------------------------------------------------|------|
| 3.1 Characteristics of TMS320C3x/C4x C .....       | 3-2  |
| 3.2 Data Types .....                               | 3-4  |
| 3.3 Keywords .....                                 | 3-7  |
| 3.4 Register Variables .....                       | 3-10 |
| 3.5 Pragma Directives .....                        | 3-11 |
| 3.6 The asm Statement .....                        | 3-17 |
| 3.7 Initializing Static and Global Variables ..... | 3-18 |
| 3.8 Far Call Support .....                         | 3-20 |
| 3.9 Delay Slot Filling for Branches .....          | 3-21 |
| 3.10 Compatibility with K&R C (–pk Option) .....   | 3-22 |
| 3.11 Compiler Limits .....                         | 3-24 |

### 3.1 Characteristics of TMS320C3x/C4x C

The ANSI standard identifies some features of the C language that are affected by characteristics of the target processor, runtime environment, or host environment. For reasons of efficiency or practicality, this set of features may differ among standard compilers. This section describes how these features are implemented for the TMS320C3x/C4x C compiler.

The following list identifies all such cases and describes the behavior of the TMS320C3x/C4x C compiler in each case. Each description also includes a reference to the formal ANSI standard and to the *The C Programming Language* by Kernighan and Ritchie (K&R).

#### **Identifiers and constants**

- The first 100 characters of all identifiers are significant. Case is significant; uppercase and lowercase characters are distinct for identifiers. These characteristics apply to all identifiers, internal and external, in all TMS320C3x/C4x tools. (ANSI 3.1.2, K&R A2.3)
- The source (host) and execution (target) character sets are assumed to be ASCII. Although the compiler recognizes the syntax of multibyte characters, there are no additional multibyte characters. (ANSI 2.2.1, K&R A12.1)
- Hex or octal escape sequences in character or string constants may have values up to 32 bits. (ANSI 3.1.3.4, K&R A2.5.2)
- Character constants with multiple characters are encoded as the last character in the sequence. For example,  
`'abc' == 'c'` (ANSI 3.1.3.4, K&R A2.5.2)

#### **Data types**

- For information about the representation of data types, refer to Section 3.2. (ANSI 3.1.2.5, K&R A4.2)
- The type `size_t`, which is assigned to the result of the `sizeof` operator, is equivalent to unsigned int. (ANSI 3.3.3.4, K&R A7.4.8)
- The type `ptrdiff_t`, which is assigned to the result of pointer subtraction, is equivalent to int. (ANSI 3.3.6, K&R A7.7)

## Conversions

- Int-to-float conversions use the TMS320C3x/C4x FLOAT instruction which produces an exact representation. However, the value may be truncated when written to memory, resulting in a loss of precision towards negative infinity.  
(ANSI 3.2.1.3, K&R A6.3)
- Pointers and integers can be freely converted.  
(ANSI 3.3.4, K&R A6.6)

## Expressions

- When two signed integers are divided and either is negative, the quotient is negative. A signed modulus operation takes the sign of the dividend (the first operand). For example,  

$$10 / -3 == -3, \quad -10 / 3 == -3$$

$$10 \% -3 == 1, \quad -10 \% 3 == -1$$
  
(ANSI 3.3.5, K&R A7.6)
- A right shift of a signed value is an arithmetic shift; that is, the sign is preserved.  
(ANSI 3.3.7, K&R A7.8)

## Declarations

- The *register* storage class is effective for all character, short, integer, and pointer types.  
(ANSI 3.5.1, K&R A8.1)
- Structure members are not packed into words (with the exception of bit fields). Each member is aligned on a 32-bit word boundary.  
(ANSI 3.5.2.1, K&R A8.3)
- A bit field of type integer is signed. Bit fields are packed into words, beginning at the low-order bits, and do not cross word boundaries.  
(ANSI 3.5.2.1, K&R A8.3)

## Preprocessor

- The preprocessor recognizes one #pragma directive; all others are ignored. For details, see Section 3.5, *Pragma Directives*. The recognized pragma is:  
**#pragma DATA\_SECTION ( symbol , " section name" )**
- The standard #error preprocessor directive forces the compiler to issue a diagnostic message and halt compilation. The TMS320C3x/C4x compiler extends the #error directive with a #warn directive, which, like #error, forces a diagnostic message but does not halt compilation. The syntax of #warn is identical to #error.  
(K&R A12.7)

## 3.2 Data Types

- ❑ All integer types (char, short, int, long, and their unsigned counterparts) are equivalent types and are represented as 32-bit binary values.
- ❑ Signed types are represented in 2s-complement notation.
- ❑ The type char is a signed type, equivalent to int.
- ❑ Objects of type enum are represented as 32-bit values; in expressions, the type enum is equivalent to int.
- ❑ Floating-point types float and double are equivalent and are represented in the TMS320C3x/C4x 32-bit single-precision floating-point format.
- ❑ Floating-point type long double is represented in the TMS320C3x/C4x 40-bit extended-precision format.
- ❑ Although floating-point types are not directly supported, support is provided for conversion to and from IEEE single and double-precision format for the TMS320C4x processors through the assembly language functions TOIEEE and FRIEEE. See the *TMS320C4x User's Guide* for more information on these instructions.

The size, representation, and range of each scalar data type are listed in the table below.

Table 3–1. TMS320C3x/C4x C Data Types

| Type              | Size    | Representation | Range          |                 |
|-------------------|---------|----------------|----------------|-----------------|
|                   |         |                | Minimum        | Maximum         |
| char, signed char | 32 bits | ASCII          | –2147483648    | 2147483647      |
| unsigned char     | 32 bits | ASCII          | 0              | 4294967295      |
| short             | 32 bits | 2s complement  | –2147483648    | 2147483647      |
| unsigned char     | 32 bits | binary         | 0              | 4294967295      |
| int, signed int   | 32 bits | 2s complement  | –2147483648    | 2147483647      |
| unsigned int      | 32 bits | binary         | 0              | 4294967295      |
| long, signed long | 32 bits | 2s complement  | –2147483648    | 2147483647      |
| unsigned long     | 32 bits | binary         | 0              | 4294967295      |
| enum              | 32 bits | 2s complement  | –2147483648    | 2147483647      |
| float             | 32 bits | TMS320C3x/C4x  | 5.877472e–39   | 3.4028235e38    |
| double            | 32 bits | TMS320C3x/C4x  | 5.877472e–39   | 3.4028235e38    |
| long double       | 40 bits | TMS320C3x/C4x  | 5.87747175e–39 | 3.4028236684e38 |
| pointers          | 32 bits | binary         | 0              | 0xFFFFFFFF      |

Many of the range values are available as standard macros in the header file `limits.h`, which is supplied with the compiler.

**Note: A TMS320C3x/C4x Byte Is 32 Bits**

The ANSI definition specifies that the `sizeof` operator yields the number of **bytes** required to store an object. ANSI further stipulates that when the `sizeof` operator is applied to type `char`, the result is one. Since the TMS320C3x/C4x `char` is 32 bits (to make it separately addressable), a byte is also 32 bits. This yields results that you may not expect; for example, `sizeof(int) == 1` (not 4). TMS320C3x/C4x bytes and words are equivalent (32 bits).

### 3.2.1 The Long Double Data Type

The long double data type is handled differently than the other floating-point data types. The features of long doubles are described below:

- ❑ Long doubles are not represented in the single-precision 32-bit format used for floats and doubles, but in extended-precision 40-bit format.
- ❑ Long doubles require two memory words for storage; the first word contains the upper 24 bits and the second word contains the lower 24 bits.

The `sizeof(long double)` operator returns 2.

Two instructions are required to load and/or store long doubles.

- ❑ Long doubles can be stored in one floating-point register and, like floats and doubles, can be passed as parameters in registers.
- ❑ No register variable can hold a 40-bit value; therefore, a long double cannot be held in a register variable across a call. It will be stored to memory before the call and then reloaded when needed.
- ❑ In float/double to long double conversion, the lower 8 bits of the 40-bit register will be filled with zeros. In long double to float/double conversion, the value will be rounded to the nearest single-precision floating-point value using the `RND` instruction.

- ❑ Addition, subtraction, and negation use assembly instructions when the instructions are able to accept extended-precision floating-point values as input.

'C3x multiplication uses the runtime-support assembly function MPY\_LD;  
'C4x multiplication uses the MPYF instruction.

Inversion and reciprocals use the runtime-support assembly function INV\_LD.

Division uses the runtime-support assembly function DIV\_LD.

- ❑ The 40-bit runtime-support assembly functions are linked into their own section called .float40.

## 3.3 Keywords

### 3.3.1 The `register` Keyword

The TMS320C3x/C4x compiler extends the C language by adding the `register` keyword to allow high level language access to control registers.

When you use the `register` keyword on an object, the compiler compares the name of the object to a list of standard control registers for the 'C3x/C4x (see Table 3–2). If the name matches, the compiler generates the code to reference the control register. If the name does not match, the compiler issues an error.

Table 3–2. Valid Control Registers

| Register | Description                       |
|----------|-----------------------------------|
| IE       | CPU/DMS interrupt enable register |
| IF       | CPU interrupt flag register       |
| IOF      | I/O flags                         |
| ST       | Status register                   |

The `register` keyword can only be used in file scope. The `register` keyword is not allowed on any declaration within the boundaries of a function. It can only be used on objects of type integer or pointer. The `register` keyword is not allowed on objects of any floating-point type or on any structure or union object.

The `register` keyword does not imply that the object is volatile. If the control register being referenced is volatile (that is, can be modified by some external control), then the object should be declared with the `volatile` keyword also.

To use a control register in Table 3–2, you must declare each register (with or without `volatile`) as follows:

```
extern register volatile unsigned int register;
```

Once you have declared the register, you can use the register name directly. See *TMS320C3x/C4x CPU and Instruction Set Reference Guide* for detailed information on the control registers.



### Example 3–1. Define and Use Control Registers

```
extern cregister volatile unsigned int IE;
extern cregister volatile unsigned int IF;
extern cregister volatile unsigned int IOF;
extern cregister volatile unsigned int ST;

unsigned myfunc (unsigned int mask)
{
 while (ST & mask == 0)
 /* Do nothing; wait */;
 return IOF;
}
```

### 3.3.2 The near and far Keywords

The 'C3x/C4x C compiler extends the C language with the near and far keywords to specify how global and static variables are accessed and how functions are called.

Syntactically, the near and far keywords are treated as storage class modifiers. They can appear before, after, or in between the storage class specifiers and types. Two storage class modifiers cannot be used together in a single declaration. For example:

```
far static int x;
static near int x;
static int far x;
far int foo ();
static far int foo ()
```

#### **Near and far data objects**

Global and static data objects can be accessed in the following two ways:

**near keyword**      The compiler assumes that the data item can be accessed relative to the data page pointer. For example:

```
sti ro, @_var
```

**far keyword**      The compiler cannot access the data item via the dp. This can be required if the total amount of program data is larger than the offset allowed (32K) from the DP. For example:

```
ldiu @c11, aro
sti ro, *aro
```

where c11 in the .bss holds the address of the variable.

By default, the compiler generates small-memory model code, which means that every data object is handled as if it were declared near, unless it is actually declared far. If an object is declared near, it is normally loaded using relative offset addressing from the data page pointer (DP, which is B14). DP points to the beginning of the .bss section. If the options `-ml`, `-mb`, and `-mf` are used, the default assumptions change. Large-memory model code, which means that every data object is handled as if it were declared far, is then generated.

If you use the `DATA_SECTION` pragma, the object is indicated as a far variable, and this cannot be overridden. This ensures access to the variable, since the variable might not be on the same data page as the .bss section. See section 3.5.2, *The DATA\_SECTION pragma*, on page 3-13.

### **Near and far function calls**

Function calls can be invoked in one of two ways:

**near keyword**      The compiler assumes that the destination of the call is within  $2^{24}$  bytes of the caller. Here, the compiler uses the PC-relative call instruction.

```
call _func
```

**far keyword**      The compiler is told by the user that the call is not within  $2^{24}$  bytes of the caller, and the compiler uses the register addressing mode of the call instruction.

```
ldiu @c11, ro
callu ro
.
.
.
```

where constant `c11` in the .bss holds the address of the function.

By default, the compiler generates small-memory model code, which means that every function call is handled as if it were declared near, unless it is actually declared far. The default changes, however, when options `-ml`, `-mf`, and `-mb` are used. Large-memory model code, which means that every data object is handled as if it were declared far, is then generated.

## 3.4 Register Variables

The TMS320C3x/C4x C compiler treats register variables (variables declared with the *register* keyword) differently, depending on whether or not you use the optimizer.

### *Compiling With the Optimizer*

The compiler ignores any register declarations and treats all variables as register variables while optimizing.

### *Compiling Without the Optimizer*

If you use the register keyword, you can suggest variables as candidates for allocation into registers.

Eight (nine for the TMS320C4x) registers are available for register variables in each function:

- Registers R4 and R5 (and R8 for the 'C4x) are reserved for integer register variables in a function.
- Two registers, R6 and R7, are reserved for floating-point register variables in a function.
- Four registers, AR4–AR7, are reserved for pointer or integer register variables.

Any object with a scalar type (integer, floating-point, or pointer) can be declared as a register variable. The register designator is ignored for objects of other types.

The register storage class is meaningful for parameters as well as local variables. If the stack-based calling convention is used, a parameter declared as a register is passed on the stack normally but then moved into a register upon function entry. This improves access to the parameter within the function. If a parameter is not declared as a register, it will be allocated local space in the function and stored there as the function begins execution.

For more information about register variables, refer to Section 4.3 on page 4-11.

## 3.5 Pragma Directives

Pragma directives tell the compiler's preprocessor how to treat functions. The TMS320C3x/C4x C compiler supports the following pragmas:

- `CODE_SECTION`
- `DATA_SECTION`
- `FUNC_CANNOT_INLINE`
- `FUNC_EXT_CALLED`
- `FUNC_IS_PURE`
- `FUNC_IS_SYSTEM`
- `FUNC_NEVER_RETURNS`
- `FUNC_NO_GLOBAL_ASG`
- `FUNC_NO_IND_ASG`
- `INTERRUPT`

The arguments *func* and *symbol* must have file scope; that is, you cannot define or declare them inside the body of a function. You must specify the pragma outside the body of a function, and it must occur before any declaration, definition, or reference to the *func* or *symbol* argument. If you do not follow these rules, the compiler issues a warning.

### 3.5.1 The CODE\_SECTION Pragma

The CODE\_SECTION pragma allocates space for the *symbol* in a section named *section name*. The syntax of the pragma is:

```
#pragma CODE_SECTION (symbol, "section name");
```

The section will be declared by the compiler with the .sect assembler directive. If you use a section name longer than eight characters, you must use COFF2.

The CODE\_SECTION pragma is useful if you have code objects that you want to link into an area separate from the .bss section.

Example 3–2 demonstrates the use of the CODE\_SECTION pragma.

#### Example 3–2. Using the CODE\_SECTION Pragma

(a) C source file

```
#pragma CODE_SECTION(fn, "my_sect")

int fn(int x)
{
 return c;
}
```

(b) Assembly source file

```
.sect "my_sect"
.global _fn
```

### 3.5.2 The DATA\_SECTION Pragma

The DATA\_SECTION pragma allocates space for the *symbol* in a section named *section name*. The syntax of the pragma is:

```
#pragma DATA_SECTION (symbol, "section name");
```

The DATA\_SECTION pragma is useful if you have data objects that you want to link into an area separate from the .bss section.

If you use a section name longer than eight characters, you must use COFF2.

Example 3–3 demonstrates the use of the DATA\_SECTION pragma.

#### Example 3–3. Using the DATA\_SECTION Pragma

(a) C source file

```
#pragma DATA_SECTION(bufferB, "my_sect")
char bufferA[512];
char bufferB[512];
```

(b) Assembly source file

```
.global _bufferA
.bss _bufferA,512
.global _bufferB
_bufferB: .usect "my_sect",512,1
```

### 3.5.3 The FUNC\_CANNOT\_INLINE Pragma

The FUNC\_CANNOT\_INLINE pragma instructs the compiler that the named function cannot be expanded inline. Any function named with this pragma overrides any inlining you designate in any other way, such as using the inline keyword.

The pragma must appear before any declaration or reference to the function that you want to keep. The syntax of the pragma is:

```
#pragma FUNC_CANNOT_INLINE (func);
```

The argument *func* is the name of the C function that cannot be inlined. For more information, see Section 2.5, *Function Inlining*, on page 2-43.

### 3.5.4 The FUNC\_EXT\_CALLED Pragma

When you use the `-pm` option, the compiler uses program-level optimization. When you use this type of optimization, the compiler removes any function that is not called, directly or indirectly, by `main`. You might have C functions that are called by hand-coded assembly instead of `main`.

The `FUNC_EXT_CALLED` pragma specifies to the optimizer to keep these C functions or any other functions that these C functions call. These functions act as entry points into C.

The pragma must appear before any declaration or reference to the function that you want to keep. The syntax of the pragma is:

```
#pragma FUNC_EXT_CALLED (func);
```

The argument *func* is the name of the C function that you do not want removed.

### 3.5.5 The FUNC\_IS\_PURE Pragma

The `FUNC_IS_PURE` pragma specifies to the optimizer that the named function has no side effects. This allows the optimizer to do the following:

- Delete the call to the function if the function's value is not needed
- Delete duplicate functions

The pragma must appear before any declaration or reference to the function. The syntax of the pragma is:

```
#pragma FUNC_IS_PURE (func);
```

The argument *func* is the name of a C function.

### 3.5.6 The FUNC\_IS\_SYSTEM Pragma

The FUNC\_IS\_SYSTEM pragma specifies to the optimizer that the named function has the behavior defined by the ANSI standard for a function with that name.

The pragma must appear before any declaration or reference to the function that you want to keep. The syntax of the pragma is:

```
#pragma FUNC_IS_SYSTEM (func);
```

The argument *func* is the name of the C function to treat as an ANSI standard function.

### 3.5.7 The FUNC\_NEVER\_RETURNS Pragma

The FUNC\_NEVER\_RETURNS pragma specifies to the optimizer that the function never returns to its caller.

The pragma must appear before any declaration or reference to the function that you want to keep. The syntax of the pragma is:

```
#pragma FUNC_NEVER_RETURNS (func);
```

The argument *func* is the name of the C function that does not return.

### 3.5.8 The FUNC\_NO\_GLOBAL\_ASG Pragma

The FUNC\_NO\_GLOBAL\_ASG pragma specifies to the optimizer that the function makes no assignments to named global variables and contains no asm statements.

The pragma must appear before any declaration or reference to the function that you want to keep. The syntax of the pragma is:

```
#pragma FUNC_NO_GLOBAL_ASG (func);
```

The argument *func* is the name of the C function that makes no assignments.



### 3.5.9 The FUNC\_NO\_IND\_ASG Pragma

The FUNC\_NO\_IND\_ASG pragma specifies to the optimizer that the function makes no assignments through pointers and contains no asm statements.

The pragma must appear before any declaration or reference to the function that you want to keep. The syntax of the pragma is:

```
#pragma FUNC_NO_IND_ASG (func);
```

The argument *func* is the name of the C function that makes no assignments.

### 3.5.10 The INTERRUPT Pragma

The INTERRUPT pragma enables you to handle interrupts directly with C code. The argument *func* is the name of a function. The pragma syntax is:

```
#pragma INTERRUPT (func);
```

Except for `_c_int00`, which is the name reserved for the system reset interrupt for C programs, the name of the interrupt (the *func* argument) does not need to conform to a naming convention.

## 3.6 The asm Statement

The TMS320C3x/C4x C compiler allows you to imbed TMS320C3x/C4x assembly language instructions or directives directly into the assembly language output of the compiler. This capability is provided through an extension to the C language: the *asm* statement. The *asm* statement is syntactically like a call to a function named *asm*, with one string-constant argument:

```
asm("assembler text");
```

The compiler copies the argument string directly into your output file. The assembler text must be enclosed in double quotes. All the usual character string escape codes retain their definitions. For example, you can insert a *.string* directive that contains quotes:

```
asm("STR: .string \"abc\"");
```

The inserted code must be a legal assembly language statement. Like all assembly language statements, the line *must* begin with a label, a blank, a tab, or a comment (asterisk or semicolon). The compiler performs no checking on the string; if there is an error, it will be detected by the assembler. For more information, refer to the *TMS320C3x/C4x Assembly Language Tools User's Guide*.

These *asm* statements do not follow the syntactic restrictions of normal C statements: they can appear as either a statement or a declaration, even outside blocks. This is particularly useful for inserting directives at the very beginning of a compiled module.

### **Note: Avoid Disrupting the C Environment With asm Statements**

Be extremely careful not to disrupt the C environment with *asm* statements. The compiler does not check the inserted instructions. Inserting jumps and labels into C code can cause unpredictable results in variables manipulated in or around the inserted code. Directives that change sections or otherwise affect the assembly environment can also be troublesome. Be especially careful when you use the optimizer with *asm* statements. Although the optimizer cannot remove *asm* statements (except where such statements are totally unreachable), it can significantly rearrange the code order near *asm* statements, possibly causing undesired results. The *asm* command is provided so that you can access features of the hardware, which, by definition, C is unable to access.

### 3.7 Initializing Static and Global Variables

The ANSI C standard specifies that static and global variables without explicit initializations must be specifically initialized to zero before the program begins running. This task is typically done when the program is loaded. Because the loading process depends heavily on the specific environment of the target application system, the TMS320C3x/C4x C compiler itself does not preinitialize variables; therefore, it is up to your application to fulfill this requirement.

If your loader does not preinitialize variables, you can use the linker to preinitialize the variables to 0 in the object file. In the linker command file, use a fill value of 0 in the .bss section:

```
SECTIONS
{
 ...
 .bss: {} = 0x00;
 ...
}
```

Because the linker writes a complete load image of the zeroed .bss section into the output COFF file, this method may have the unwanted effect of significantly increasing the size of the output file.

#### ***Initializing Static and Global Variables With the const Type Qualifier***

Static and global variables with the type qualifier *const* are initialized differently than other types of static and global variables.

*const* static and global variables without explicit initializations may or may not be preinitialized to zero, for the same reasons discussed in Section 3.7. For example:

```
const int zero; /* may not be initialized to zero */
```

All constants that initialize global variables (with or without the *const* qualifier) will be placed in the .cinit section. All constants contained in expressions or that initialize local variables (with or without the *const* qualifier) will either be placed in the CONST table or will be loaded with immediate addressing.

Values initialized with the *const* qualifier are not placed in the .const section because the values must be accessed with direct addressing. With the small memory model, it would be necessary to require that the .bss and the .const sections be on the same data page if the values were placed in the .const section.

The CONST table and the .const section are not the same. The CONST table contains the following:

- Integer constant expressions wider than 16 bits
- Floating-point constant expressions with exponents larger than 4 bits or mantissas larger than 11 bits
- Integer local variable initializers wider than 16 bits
- Floating-point local variable initializers with exponents larger than 4 bits or mantissas larger than 11 bits
- Addresses of global variables
- Addresses of string constants

The .const section contains the following:

- Tables for switch statements
- String constants that do not initialize global variables
- The CONST table when using big model

## 3.8 Far Call Support

A function can be declared with the keyword *far* to signify to the compiler that calls to that function should be made using a 32-bit far call (an indirect call through a register) instead of a label. The resulting assembly code will load the address of the function into a register and then call unconditionally to that register. The far call allows address offsets of greater than 16 bits to be used when calling that function, at the cost of one additional instruction (the address load).

The compiler is required to make calls to certain runtime-support assembly functions to accomplish various initialization and arithmetic tasks. (These functions are listed in Table 4-3 on page 4-19.) The shell's `-ml` option (page 2-21) can be used to cause the compiler to generate far calls to these functions. Using far calls in this way may be appropriate if, for example, functions that call the runtime-support functions are separated from them by offsets of greater than 16 bits.

To make far calls to other runtime-support functions, you must extract the source files from the `rts.src` file, add the `far` keyword to the desired functions, and then recompile the library. The `library-build` utility described in Section 6.1 allows you to extract source files and recompile the library.

It is important to add the `far` keyword to the function prototypes in the appropriate include files to ensure far call generation in the source files.

### 3.9 Delay Slot Filling for Branches

The compiler includes support for filling the three delay slots generated by the TMS320C3x/C4x for branches.

The compiler handles unconditional branches by first trying to fill the delay slots with instructions located before the branch. It will then try to move up instructions from the destination block. Almost any type of instruction can be moved, except for those that modify the PC.

Conditional branches are handled a little differently. The compiler will try to fill delay slots with:

- conditional load instructions that include known, “safe” source operands (such as local auto variables, parameters, and constants). If you know that all memory will return an appropriate value when accessed, you can use the `-ms` shell option to inform the compiler that these constraints are not necessary when filling delay slots.
- instructions located immediately following the delay slots of the conditional block (i.e., instructions that will be executed if the condition is false)
- instructions located at the destination block (i.e., instructions that will be executed if the condition is true)

If the shell option `-mp` is used, the compiler will try to copy instructions rather than moving them, which can lead to significant increases in speed.

If the compiler cannot fill any, or at least a majority, of the delay slots, it will condense the delayed branch into a non-delayed branch instruction (unless the `-mp` option has been specified). Any instructions found in the delay slots will be placed before the branch instruction. The compiler makes this change in an attempt to conserve code size by deleting the NOPs that would normally be placed in the empty delay slots. If the `-mp` option has been specified, the compiler will not condense delayed branches in this manner, but will leave branches even with only one slot filled in an attempt to take advantage of cycle savings.

### 3.10 Compatibility With K&R C (`-pk` Option)

The ANSI C language is a superset of the de facto C standard defined in the first edition of *The C Programming Language* (K&R). Most programs written for earlier non-ANSI C versions of the TMS320C3x/C4x C compiler and other non-ANSI compilers should correctly compile and run without modification.

However, there are subtle changes in the language that may affect existing code. Appendix C in K&R (second edition) summarizes the differences between ANSI C and the previous C standard, called K&R C.

To simplify the process of compiling existing C programs with the TMS320C3x/C4x ANSI C compiler, the compiler has a K&R option (`-pk`) that modifies some of the semantic rules of the language for compatibility with older code. In general, the `-pk` option relaxes requirements that are stricter for ANSI C than for previous C standards. The `-pk` option does not disable any new features of the language such as function prototypes, enumerations, initializations, or preprocessor constructs. Instead, `-pk` simply liberalizes the ANSI rules without revoking any of the features.

The specific effects of `-pk` are include:

- The integral promotion rules have changed regarding promoting an unsigned type to a wider, signed type. Under K&R, the result type was an unsigned version of the wider type; under ANSI, the result type is a signed version of the wider type. This affects operations that perform differently when applied to signed or unsigned operands. Namely, comparisons, division (and mod), and right shift. In this example, assume that short is narrower than int:

```
unsigned short u
int i;
if (u<i) .../* SIGNED comparison, unless -pk used */
```

- ANSI prohibits two pointers to different types from being combined in an operation. In most K&R compilers, this situation is only a warning. Such cases are still diagnosed when `-pk` is used, but with less severity:

```
int *p;
char *q = p; /* error without -pk, warning with -pk */
```

Even without `-pk`, a violation of this rule is a code-E (recoverable) error. An alternative to using `-pk` to work around this situation is to use `-pe`, which converts code-E errors to warnings.

- External declarations with no type or storage class (identifier only) are illegal in ANSI but legal in K&R:

```
a; /* illegal unless -pk used */
```

- ❑ ANSI interprets file scope definitions that have no initializers as *tentative definitions*: in a single module, multiple definitions of this form are fused together into a single definition. Under K&R, each definition is treated as a separate definition, resulting in multiple definitions of the same object (and usually an error). For example:

```
int a;
int a; /* illegal if -pk used, OK if not */
```

Under ANSI, the result of these two declarations is a single definition for the object *a*. For most K&R compilers, this sequence is illegal because *a* is defined twice.

- ❑ ANSI prohibits, but K&R allows, objects with external linkage to be redeclared as static:

```
extern int a;
static int a; /* illegal unless -pk used */
```

- ❑ Unrecognized escape sequences in string and character constants are explicitly illegal under ANSI but ignored under K&R:

```
char c = '\q'; /* same as 'q' if -pk used, error
 if not */
```

- ❑ ANSI specifies that bit fields must be of type integer or unsigned. With -pk, bit fields can be legally declared with any integer type. For example,

```
struct s
{
 short f : 2; /* illegal unless -pk used */
};
```

- ❑ K&R syntax allows assignments to structures returned from a function:

```
f().x = 123 /* illegal unless -pk used */
```

- ❑ K&R syntax allows a trailing comma in enumerator lists:

```
enum { a, b, c, }; /* illegal unless -pk used */
```

- ❑ K&R syntax allows trailing tokens on preprocessor directives:

```
#endif NAME /* illegal unless -pk used */
```



## 3.11 Compiler Limits

Due to the variety of host systems supported by the TMS320C3x/C4x C compiler and the limitations of some of these systems, the compiler may not be able to successfully compile source files that are excessively large or complex. Most of these conditions occur during the first compilation pass (parsing). When such a condition occurs, the parser issues a code-I diagnostic message indicating the condition that caused the failure; usually the message also specifies the maximum value for whatever limit has been exceeded. The code generator also has compilation limits but fewer than the parser.

In general, exceeding any compiler limit prevents continued compilation, so the compiler aborts immediately after printing the error message. The only way to avoid exceeding a compiler limit is to simplify the program or parse and pre-process in separate steps.

Many compiler tables have no absolute limits but rather are limited only by the amount of memory available on the host system. Table 3–3 specifies the limits that are absolute. When two values are listed, the first is for PCs (DOS or OS/2), and the second is for other hosts. All the absolute limits equal or exceed those required by the ANSI C standard.

On smaller host systems such as PCs, the optimizer may run out of memory. If this occurs, the optimizer terminates and the shell continues compiling the file with the code generator. This results in a file compiled with no optimization. The optimizer compiles one function at a time, so the most likely cause of this is a large or extremely complex function in your source module. To correct the problem, your options are:

- don't optimize the module in question
- identify the function that caused the problem and break it down into smaller functions
- extract the function from the module and place it in a separate module that can be compiled without optimization so that the remaining functions can be optimized.
- Use the protected-mode compiler

Table 3–3. Absolute Compiler Limits

| Description                                               | Limits                                 |                   |
|-----------------------------------------------------------|----------------------------------------|-------------------|
| Filename length                                           | 256 characters                         |                   |
| Source line length                                        | 16K characters                         | (see note 1)      |
| Length of strings built from # or ##                      | 512 characters                         | (see note 2)      |
| Macro definitions                                         | Allocated from available system memory |                   |
| Macros predefined with -d                                 | 32                                     |                   |
| Macro parameters                                          | 32                                     |                   |
| Macro nesting                                             | 32 levels                              | (see note 3)      |
| #include search paths                                     | 32 paths                               | (see note 4)      |
| #include file nesting                                     | 32 levels                              |                   |
| Conditional inclusion (#if) nesting                       | 32 levels                              |                   |
| Nesting of struct, union, or prototype declarations       | 20 levels                              |                   |
| Function parameters                                       | 32 parms                               |                   |
| Array, function, or pointer derivations on a type         | 12 derivations                         |                   |
| Aggregate initialization nesting                          | 32 levels                              |                   |
| Static initializers                                       | ≈ 1500 per initialization              |                   |
| Local initializers                                        | ≈ 150 per block                        |                   |
| Nesting of declarations in structs, unions, or prototypes | 32 levels                              |                   |
| Global symbols                                            | 2000<br>10000                          | PCs<br>All others |
| Block scope symbols visible at any point                  | 500<br>1000                            | PCs<br>All others |
| Number of unique string constants                         | 400<br>1000                            | PCs<br>All others |
| Number of unique floating-point constants                 | 400<br>2000                            | PCs<br>All others |

- Notes:**
- 1) After splicing of \ lines. This limit also applies to any single macro definition or invocation.
  - 2) Before concatenation. All other character strings are unrestricted.
  - 3) Includes argument substitutions.
  - 4) Includes -i and C\_DIR directories.

# Runtime Environment

---

---

---

This section describes the TMS320C3x/C4x C runtime environment. To ensure successful execution of C programs, it is critical that all runtime code maintain this environment. If you write assembly language functions that interface to C code, follow the guidelines in this chapter.

Topics in this chapter include:

| <b>Topic</b>                                                | <b>Page</b> |
|-------------------------------------------------------------|-------------|
| <b>4.1 Memory Model</b> .....                               | <b>4-2</b>  |
| <b>4.2 Object Representation</b> .....                      | <b>4-7</b>  |
| <b>4.3 Register Conventions</b> .....                       | <b>4-11</b> |
| <b>4.4 Function Structure and Calling Conventions</b> ..... | <b>4-15</b> |
| <b>4.5 Interfacing C with Assembly Language</b> .....       | <b>4-22</b> |
| <b>4.6 Interrupt Handling</b> .....                         | <b>4-30</b> |
| <b>4.7 Runtime-Support Arithmetic Routines</b> .....        | <b>4-32</b> |
| <b>4.8 System Initialization</b> .....                      | <b>4-36</b> |

## 4.1 Memory Model

The C compiler treats memory as a single linear block that is partitioned into subblocks of code and data. Each block of code or data that a C program generates will be placed in its own contiguous space in memory. The compiler assumes that a full 32-bit address space is available in target memory.

---

**Note: The Linker Defines the Memory Map**

The **linker**, *not the compiler*, defines the memory map and allocates code and data into target memory. The compiler assumes nothing about the types of memory available, about any locations not available for code or data (holes), or about any locations reserved for I/O or control purposes. The compiler produces relocatable code that allows the linker to allocate code and data into the appropriate memory spaces. For example, you can use the linker to allocate global variables into fast internal RAM or to allocate executable code into internal ROM. Each block of code or data could be allocated individually into memory, but this is not a general practice. (An exception to this is memory-mapped I/O, although physical memory locations can be accessed with C pointer types.)

---

### 4.1.1 Sections

The compiler produces six relocatable blocks of code and data; these blocks, called *sections*, can be allocated into memory in a variety of ways, to conform to a variety of system configurations. For more information about sections, please read the *Introduction to Common Object File Format* in the *TMS320C3x/C4x Assembly Language Tools User's Guide*.

There are two basic types of sections:

- **Initialized sections** contain data or executable code. The C compiler creates three initialized sections: `.text`, `.cinit`, and `.const`.
  - The **.text section** is an initialized section that contains all the executable code as well as floating-point constants.
  - The **.cinit section** is an initialized section that contains tables with the values for initializing variables and constants.
  - The **.const section** is an initialized section that contains floating-point constants and switch tables.
- **Uninitialized sections** reserve space in memory (usually RAM). A program can use this space at runtime for creating and storing variables. The compiler creates three uninitialized sections: `.bss`, `.stack`, and `.system`.

- The **.bss section** reserves space for global and static variables; in the small model, the .bss section also reserves space for the constant table. At program startup, the C boot routine copies data out of the .cinit section (which may be in ROM) and stores it in the .bss section.
- The **.stack section** allocates memory for the system stack. This memory is used to pass arguments to functions and to allocate local variables.
- The **.systemem section** is a memory pool, or heap, used by the dynamic memory functions, malloc, calloc, and realloc. If a program does not link these functions, the linker does not create the .systemem section.

For the TMS320C32 only, the **.sysm8 section** and **.sysm16 section** are used by special 8-bit and 16-bit versions of the dynamic memory management functions. See Section 4.1.3 for more information.

The linker takes the individual sections from different models and combines sections with the same name to create output sections. Note that the *assembler* creates three default sections (.text, .bss, and .data); the C compiler, however, does not use the .data section.

The complete program is made up of the compiler output sections, plus the assembler's .data section. The linker takes the individual sections from different modules and combines sections having the same name to create the output sections. You can place these output sections anywhere in the address space, as needed, to meet system requirements. The .text, .cinit, .const, and .data sections can be linked into either ROM or RAM. The .bss, .stack, and .systemem sections should be linked into some type of RAM. Note, however, that the .bss and .const sections must be allocated in the same 64K data page for a small model, see page 4-5.

For more information about allocating sections into memory, see the *TMS320C3x/C4x Assembly Language Tools User's Guide*.

## 4.1.2 C System Stack

The C compiler uses a software stack to:

- Save function return addresses
- Allocate local variables
- Pass arguments to functions
- Save temporary results
- Save registers
- Save the processor status

The runtime stack grows up from low addresses to higher addresses. The compiler uses two auxiliary registers to manage this stack:

**SP** is the **stack pointer (SP)**; it points to the current top of the stack.

**AR3** is the **frame pointer (FP)**; it points to the beginning of the current frame. Each function invocation creates a new frame at the top of the stack, from which local and temporary variables are allocated.

The C environment manipulates these registers automatically. If you write any assembly language routines that use the runtime stack, be sure to use these registers correctly. (For more information about using these registers, see Section 4.3, page 4-11; for more information about the stack, see Section 4.4, page 4-15.)

The stack size is set by the linker. The linker also creates a global symbol, `__STACK_SIZE`, and assigns it a value equal to the size of the stack in words. The default stack size is 1K (400h) words. This size allows the stack to fit into one of the on-chip RAM blocks. You can change the size of the stack at link time by using the `-stack` option on the linker command line and specifying the size of the stack as a constant immediately after the option. For more information about the `-stack` option, refer to the *TMS320C3x/C4x Assembly Language Tools User's Guide*.

At system initialization, the SP is set to a designated address for the bottom-of-stack. This address is the first location in the `.stack` section. Since the position of the stack depends on where the `.stack` section is allocated, the actual position of the stack is determined at link time. If you allocate the stack as the last section in memory (highest address), the stack has unlimited space for growth (within the limits of system memory).

---

**Note: Stack Overflow**

The compiler provides no means to check for stack overflow during compilation or at runtime. A stack overflow will disrupt the runtime environment, causing your program to fail. Be sure to allow enough space for the stack to grow.

---

### 4.1.3 Dynamic Memory Allocation

The runtime-support library supplied with the compiler contains several functions (such as `malloc`, `calloc`, and `realloc`) that allow you to dynamically allocate memory for variables at runtime. Dynamic allocation is not a standard part of the C language; it is provided by standard runtime-support functions.

Memory is allocated from a global pool, or heap, that is defined in the `.systemem` section. You can set the size of the `.systemem` section by using the

–heap option when you link your program. Specify the size of the memory pool as a constant after the –heap option on the linker command line. The linker also creates a global symbol, `__SYSMEM_SIZE`, and assigns it a value equal to the size of the heap in words. The default size is 1K words. For more information on the heap option, refer to the *TMS320C3x/C4x Assembly Language Tools User's Guide*.

Dynamically allocated objects are not addressed directly (they are always accessed with pointers), and the memory pool is in a separate section; therefore, the dynamic memory pool can have an unlimited size, even in the small memory model. This allows you to use the more efficient small memory model, even if you declare large data objects. To conserve space in the .bss, you can allocate large arrays from the heap instead of declaring them as global or static. For example, instead of a declaration such as:

```
struct big table[10000];
```

use a pointer and call the malloc function;

```
struct big *table
table = (struct big *)malloc(10000 * sizeof (struct big));
```

For the TMS320C32, the runtime support library contains the following 8-bit and 16-bit versions of the dynamic memory management functions:

```
calloc8, free8, malloc8, bmalloc8, minit8, realloc8
calloc16, free16, malloc16, bmalloc16, minit16, realloc16
```

These functions allocate space from the .sysm8 and .sysm16 uninitialized sections rather than the .sysmem section. The sizes of the .sysm8 and .sysm16 sections are set by specifying the –heap8 and –heap16 linker options, respectively. If the 8-bit or 16-bit memory management functions are used but the –heap8 and –heap16 options are not specified, the linker will allocate the default size of 1K 8-bit or 16-bit words. The 8-bit or 16-bit memory management functions cause the linker to set the constant heap size values for the `_SYSMEM8_SIZE` and `_SYSMEM16_SIZE` symbols. The `stdlib.h` header file should be included in any file that uses these functions.

#### 4.1.4 Big and Small Memory Models

The compiler supports two memory models that affect how .bss is allocated into memory. Neither model restricts the size of the .text or .cinit sections. Both models restrict the size of a single function to 32K words of code or less; this allows the compiler to use relative conditional jumps over the entire range of the function.

- The small memory model**, which is the default, requires that the entire .bss section fit within a single 64K-word memory data page (65536 words).

This means that the total space for all static and global data in the program must be less than 64K and that the `.bss` cannot cross any 64K address boundaries. The compiler sets the data-page pointer register (DP) during runtime initialization to point to the beginning of the `.bss`. Then the compiler can access all objects in the `.bss` (global and static variables and constant tables) with direct addressing (`@`) without modifying the DP.

- **The big memory model** does not restrict the size of the `.bss`; unlimited space is available for global and static data. However, when the compiler accesses any global or static object that is stored in the `.bss`, it must first ensure that the DP correctly identifies the memory page where the object is stored. To accomplish this, the compiler must set the DP by using an LDP or LDPK (load data-page pointer) instruction each time a static or global data item is accessed. This task produces one extra instruction word and several extra machine cycles (one cycle for the LDP instruction plus one or more pipeline delay cycles if the object is accessed by the next instruction).

For example, the following compiler-generated assembly language uses the LDP instruction to set the DP to the correct page before accessing the global variable `x`. This is a TMS320C3x example (the sequence is one cycle shorter for the 'C4x):

```
*** _x is a global variable ***

 LDP _x ; 1 extra word, 1 cycle
 LDI @_x,R0 ; 3 cycles (2 pipeline delays)
```

To use the big memory model, invoke the compiler with the `-mb` option. For more information, refer to Section 2.3, *Using Runtime Models*, on page 2-35.

## 4.1.5 RAM and ROM Models

The C compiler produces code that is suitable for use as firmware in a ROM-based system. In such a system, the initialization tables in the `.cinit` section (used for initialization of globals and statics) are stored in ROM. At system initialization time, the C boot routine copies data from these tables from ROM to the initialized variables in `.bss` (RAM).

In situations where a program is loaded directly from an object file into memory and then run, you can avoid having the `.cinit` section occupy space in memory. A user-defined loader can read the initialization tables directly from the object file (instead of from ROM) and perform the initialization directly at load time (instead of at runtime). You can specify this *to the linker* by using the `-cr` linker option. For more information, refer to Section 4.8, *System Initialization*, on page 4-36.



## 4.2 Object Representation

This section explains how various data objects are sized, aligned, and accessed.

### 4.2.1 Data Type Storage

- All basic types are 32 bits wide and stored in individual words of memory. No packing is performed except on bit fields, which are packed into words. Bit fields are allocated from LSB (least significant bit) to MSB in the order in which they are declared.
- No object has any type of alignment requirement; any object can be stored on any 32-bit word boundary. Objects that are members of structures or arrays are stored just as they are individually. Members are not packed into structures or arrays (unless the members are bit fields).
- The integer types *char*, *short*, *int*, and *long* are all equivalent, as are their unsigned counterparts. Objects of type *enum* are also represented as 32-bit words.
- The *float* and *double* types are equivalent; both types specify objects represented in the TMS320C3x/C4x 32-bit floating-point format.
- The *long double* type is represented in the TMS320C3x/C4x 40-bit format.

For more information on data types, refer to Section 3.2, *Data Types*, on page 3-4.

### 4.2.2 Long Immediate Values

The TMS320C3x/C4x instruction set has no immediate operands that are longer than 16 bits. The compiler occasionally needs to use constants that are too long to be immediate operands. This occurs with signed integer constants that have more than 15 significant nonsign bits, with unsigned integers that have more than 16 significant bits, or with floating-point constants that have more than 11 significant nonsign bits in the mantissa.

### 4.2.3 Addressing Global Variables

The compiler generates the addresses of global and static symbols for indexing arrays or manipulating pointers. Because these addresses may be up to 32 bits wide and immediate operands are limited to 16 bits, these addresses are treated like long constants. Subsection 4.2.5 on page 4-9 describes the structure of the constant table.

## 4.2.4 Character String Constants

In C, a character string constant can be used in either of two ways:

- It can initialize an array of characters; for example:

```
char s[] = "abc";
```

When a string is used as an initializer, it is simply treated as an initialized array; each character is a separate initializer. For more information about initialization, refer to Section 4.8, *System Initialization*, on page 4-36.

- It can be used in an expression; for example:

```
strcpy (s, "abc");
```

When a string is used in an expression, the string itself is defined in the `.const` section with the `.byte` assembler directive, along with a unique label that points to the string (the terminating 0 byte is also included). In the following example, the label `SL5` points to the string from the example above:

```
 .const
SL5 .byte "abc", 0
```

String labels have the form **SLn**, n being a number assigned by the compiler to make the label unique. These numbers begin at 0 with an increase of 1 for each string defined. All strings used in a source module are defined at the end of the compiled assembly language module.

The label `SLn` represents the address of the string constant. The compiler uses this label to reference the string in the expression. Like all addresses of static objects, this address must be stored in the constant table in order to be accessed. Thus, in addition to storing the string itself in the `.const` section, the compiler uses the following directive statement to store the string's address in the constant table:

```
 .word SLn
```

If the same string is used more than once within a source module, the string will not be duplicated in memory. All uses of an identical string constant share a single definition of the string.

Because strings are stored in the `.const` section (possibly in ROM) and shared, it is bad practice for a program to modify a string constant. The following code is an example of incorrect string use:

```
char *a = "abc"
a[1] = 'x'; /* Incorrect! */
```

## 4.2.5 The Constant Table

The constant table contains definitions of all the objects that the compiler must access, but are too wide to be used as immediate operands. Such objects include:

- integer constants that are wider than 16 bits
- floating-point constants that have exponents larger than 4 bits or mantissas larger than 11 bits
- integer local variable initializers wider than 16 bits
- floating-point local variable initializers with exponents larger than 4 bits or mantissas larger than 11 bits
- addresses of global variables
- addresses of string constants

The constant table is simply a block of memory that contains all such objects. The compiler builds the constant table at the end of the source module by using the `.word` and `.float` assembler directives. Each entry in the table occupies one word. The label `CONST` is the address of the beginning of the table. For example:

```
CONST: .word 011223344h ; 32 bit constant
 .float 3.14159265 ; floating-point
 .word _globvar ; address of global
 .word SL23 ; address of string
```

Objects in the table are accessed with direct addressing; for example:

```
LDI @const+offset, R0
```

In this example, `offset` is the index into the constant table of the required object. As with string constants, identical constants used within a source module share a single entry in the table.

In the big memory model, the constant table is built in the `.const` section (and is not copied into RAM). The compiler must insure that the DP register is correctly loaded before accessing the object in the table, just as with accessing global variables. This requires an `LDP` instruction before each access of the constant table.

The small model, however, avoids the overhead of loading the DP by requiring that all directly addressable objects, including all global variables as well as the constant table, are stored on the same memory page. Of course, global variables must be stored in RAM. For the code to be ROM-able, the constant table

must be in ROM. In order to get them on the same page, the boot routine must copy the constant table from permanent storage in ROM to the global page in RAM. The compiler accomplishes this by placing the data for the constant table in the .cinit section and allocating space for the table itself .bss. Thus the table is automatically built into RAM through the autoinitialization process.

Note that the small memory model restricts the total size of the global data page to 64K words.

As with all autoinitialization, you can avoid the extra use of memory required by the .cinit section by using the `-cr` linker option and a “smart” loader to perform the initialization directly from the object file. For more information about autoinitialization, refer to Section 4.8 on page 4-36.

### 4.3 Register Conventions

Strict conventions associate specific registers with specific operations in the C environment. If you plan to interface an assembly language routine to a C program, it is important that you understand these register conventions.

The register conventions dictate both how the code generator uses registers and how values are preserved across function calls. There are two types of register variable registers, save on call and save on entry. The distinction between these two types of register variable registers is the method by which they are preserved across calls. It is the called function's responsibility to preserve save on entry register variables, and the calling function's responsibility to preserve save on call register variables.

The following table summarizes how the code generator uses the TMS320C3x/C4x registers and shows which registers are defined to be preserved across function calls.

*Table 4–1. Register Use and Preservation Conventions*

| Register              | Usage                                                 | Preserved by Call                     |
|-----------------------|-------------------------------------------------------|---------------------------------------|
| R0                    | Integer and float expressions<br>Scalar return values | No                                    |
| R1                    | Integer and float expressions                         | No                                    |
| R2–R3                 | Integer and float expressions                         | No                                    |
| R4–R5                 | Integer register variables                            | Integer part preserved                |
| R6–R7                 | Float register variables                              | Floating part preserved               |
| AR0–AR1               | Pointer expressions                                   | No                                    |
| AR2                   | Pointer expressions                                   | No                                    |
| AR3                   | Frame Pointer (FP)                                    | Yes                                   |
| AR4–AR7               | Pointer register variables                            | Yes                                   |
| IR0                   | Extended frame offsets                                | No                                    |
| IR1                   | Extended frame offsets                                | No                                    |
| BK                    | Integer expressions                                   | No                                    |
| RC, RS, RE            | Block (structure) copy                                | No                                    |
| ST                    | Status register                                       | No                                    |
| SP                    | Stack pointer                                         | Yes                                   |
| DP                    | Accessing globals (big model only)                    | Yes in small model<br>No in big model |
| <b>TMS320C4x Only</b> |                                                       |                                       |
| R8                    | Integer register variables                            | Integer part preserved                |
| R9–R11                | Integer and float variables                           | No                                    |

### 4.3.1 Register Variables

Register variables are local variables or compiler temporaries defined to reside in a register rather than in memory. Storing local variables in registers allows significantly faster access, which improves the efficiency of compiled code. Table 4–2 shows the registers that are reserved to store register variables.

Table 4–2. Registers Reserved for Register Variables

| Register | Description                            |
|----------|----------------------------------------|
| R4, R5   | Integer register variables             |
| R6, R7   | Floating-point register variables      |
| R8       | ('C4x only) Integer register variables |
| AR4–AR7  | Pointer register variables             |

These registers are preserved across calls. When a function uses register variables, it must save the contents of each used register on entrance to the function, then restore the saved contents on exit. This ensures that a called function does not disrupt the register variables of the caller.

When you are not using the optimizer (`-o` option), you can allocate register variables with the *register* keyword. The code generator tries to allocate these variables to the registers listed in Table 4–2 if the value needs to be preserved across calls. If a function declares more register variables than are available for that type, the excess variables are treated as automatic variables and are stored in memory on the local frame.

When you are using the optimizer, the compiler ignores the register keyword and treats all variables as register variables. The code generator allocates as many variables to registers as possible, based on the life of a variable and when it is used.

In general, registers not listed in Table 4–2 are not preserved across function calls, so they are used only for variables that do not overlap any calls. However, if the `-pm` shell option is used to create a single assembly file, the code generator can more accurately determine the register usage and thereby safely use additional registers not listed in Table 4–2.

### 4.3.2 Expression Registers

The compiler uses registers not being used for register variables to evaluate expressions and store temporary results. The code generator keeps track of

the current contents of the registers and attempts to allocate registers for expressions in a way that preserves the useful contents in the registers whenever possible. This allows the compiler to reuse register data, to take advantage of the TMS320C3x/C4x's efficient register addressing modes, and to avoid unnecessary accesses of variables and constants.

The contents of the expression registers are not preserved across function calls. Any register that is being used for temporary storage when a call occurs is saved to the local frame before the function is called. This prevents the called function from ever having to save and restore expression registers.

If the compiler needs another register for storing an expression evaluation, a register that is being used for temporary storage can be saved on the local frame and used for the expression analysis.

### 4.3.3 Return Values

In general, when a value of any scalar type (integer, pointer, or floating-point) is returned from a function, the value is placed in register R0 when the function returns. However, in the register–argument calling convention used for runtime support assembly files, pointers are returned in AR0.

### 4.3.4 Stack and Frame Pointers

The TMS320C3x/C4x C compiler uses a conventional stack mechanism for allocating local (automatic) variables and passing arguments to functions. When a function requires local storage, it creates its own working space (local frame) from the stack. The local frame is allocated during the function's entry sequence and deallocated during the return sequence.

Two registers, the stack pointer (SP) and the frame pointer (FP), manage the stack and the local frame. The SP is a TMS320C3x/C4x register dedicated to managing the stack. The compiler uses SP in the conventional way: the stack grows toward higher addresses, and the stack pointer points to the top location (highest memory) on the stack. Register AR3 is dedicated as the frame pointer (FP). The FP points to the beginning or bottom of the local frame for the current function. All objects stored in the local frame are referenced indirectly through the FP.

Both the FP and the SP must be preserved across function calls. The function calls automatically preserve the SP because everything pushed for the call is popped on return. The FP is preserved as a specific part of a function's entry and exit sequence. For more information about stack and frame pointer use during function calls, refer to Section 4.4, *Function Structure and Calling Connections*, page 4-15.

### 4.3.5 Other Registers

Other registers that have specific functions are discussed below.

- ❑ The data-page pointer (DP) is used to access global and static variables. In the small model, the DP is set at program startup and never changed. If the DP is modified by an assembly language function in the small model, the function must preserve the value.
- ❑ Index registers IR0 and IR1 are used for array indexing and when an offset of more than 8 bits ( $\pm 255$  words) is required for indirect addressing. In addition, the compiler can use both for a general-purpose integer register variable if it is not needed for other purposes. Neither register is preserved across calls.
- ❑ The BK register is used by the compiler as an integer register variable. Its value is not preserved across calls.
- ❑ The compiler uses block-repeat registers (RC, RE, and RS) to generate efficient block copy operations for assigning large (>5 words) structures. These registers can be used for integer register variables if not being used for block copy operations. The repeat register values are not preserved across calls; therefore, no calls can be made inside of a loop structured with RPTB or RPTS instructions.



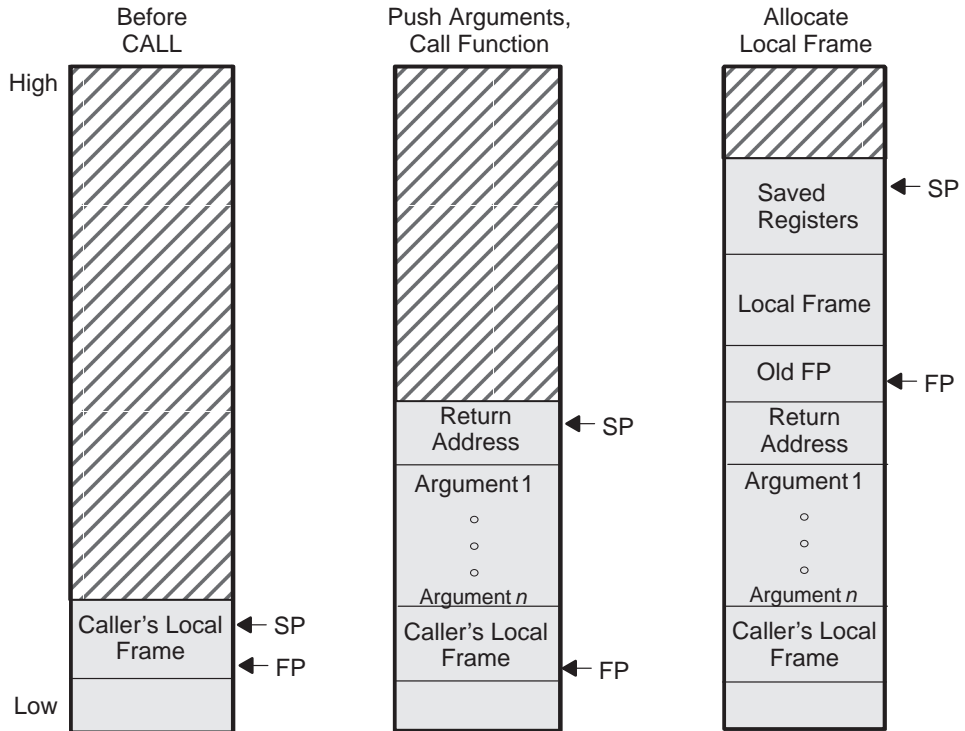
## 4.4 Function Structure and Calling Conventions

The C compiler imposes a strict set of rules on function calls. Except for special runtime-support functions, any function that calls or is called by a C function must follow these rules. Failure to adhere to these rules can disrupt the C environment and cause a program to fail.

Figure 4–1 illustrates a typical function call. In this example, parameters are passed to the function, and the function uses local variables. On the “Before Call” stack, SP points to the last saved register, and FP points to the previous FP. The “Push Arguments” stack displays the stack just before executing the first assembly instruction of the called function (after the last instruction of the calling function). The “Allocate Local Frame” stack displays the stack after all frame allocation. On this stack, SP points to the last saved register. This example shows allocation of a local frame for the called function. Functions that have *no* arguments passed on the stack *and no* local variables do not allocate a local frame.

If you use the register-argument model (see Section 4.4.2), some or all of the arguments may be passed in registers rather than on the stack as shown.

Figure 4–1. Stack Use During a Function Call



#### 4.4.1 Function Call, Standard Runtime Model

In general, a function performs the following tasks when it calls another function.

- 1) The caller pushes the arguments on the stack in reverse order (the rightmost declared argument is pushed first, and the leftmost is pushed last). This places the leftmost argument at the top of the stack when the function is called.
- 2) The caller calls the function.
- 3) When the called function is complete, the caller pops the arguments off the stack with the following instruction:

```
SUBI n, SP (n is the number of argument words that were pushed)
```

#### 4.4.2 Function Call, Register Argument Runtime Model

In general, when the register argument model is in use, a function performs the following tasks when it calls another function.

- 1) Six registers, AR2, R2, R3, RC, RS, and RE, are used to pass arguments as follows:
  - The first two (left-most) floating-point (float, double, or long double) arguments are passed in R2 and R3.
  - The remaining integer or pointer arguments are passed in the remaining registers in the above list, in order. Note that structures and unions can be passed by address as an integer argument.
  - All arguments that are not assigned to registers, either because of type incompatibility or because all registers have been exhausted, are pushed onto the stack in reverse order (right-to-left).

A seventh register, AR0, may be used to return structures and unions by address.

In Figure 4–2, several function prototypes are shown with the location of each argument indicated to illustrate the conventions.

Figure 4–2. Register Argument Conventions

|                                                                                     |     |     |    |                               |       |              |              |       |
|-------------------------------------------------------------------------------------|-----|-----|----|-------------------------------|-------|--------------|--------------|-------|
| <code>int f1(int *a, int b, int c); /* function call */</code>                      |     |     |    |                               |       |              |              |       |
|                                                                                     | AR2 | R2  | R3 | ←—where parameters are placed |       |              |              |       |
| <code>int f2(int a, float b, int *c, struct A d, float e, Int f); /* call */</code> |     |     |    |                               |       |              |              |       |
|                                                                                     | AR2 | R2  | RC | RS                            | R3    | RE           | ←—parameters |       |
| <code>int f3(float a, int *b, float c, int d, float e); /* call */</code>           |     |     |    |                               |       |              |              |       |
|                                                                                     | R2  | AR2 | R3 | RC                            | STACK | ←—parameters |              |       |
| <code>int f4(struct x a, int b, int C, int d, int e, int f, int g, int h);</code>   |     |     |    |                               |       |              |              |       |
|                                                                                     | AR2 | R2  | R3 | RC                            | RS    | RE           | STACK        | STACK |

Notice how R2 and R3 are allocated first to any floats in the argument list. Then, a second pass allocates remaining arguments to remaining registers.

If a function is declared with an ellipsis, indicating that it can be called with varying numbers of arguments, the convention is modified slightly. The last *explicitly declared* argument is passed on the stack, so that its stack address can act as a reference for accessing the undeclared arguments. For example:

```
int vararg(int a, int b, ...);
 AR2 STACK STACK STACK STACK...
```

- 2) The caller calls the function.
- 3) The caller pops the arguments that were passed on the stack, if any.

### **Register Argument Model for Runtime-Support Functions**

The runtime-support assembly (.asm) files use a modified version of the register argument calling convention.

Four registers, R1, R2, R3, and R4, are used to pass arguments as follows:

- Integer, floating-point, and pointer arguments are passed in the registers in the above list, in order.
- All arguments that are not assigned to registers, either because of type incompatibility or because all registers have been exhausted, are pushed onto the stack in reverse order (right-to-left).

A fifth register, AR0, may be used to return structures and unions by address. AR0 may also be used to return pointers.

Table 4–3 lists the functions contained in the runtime-support assembly files that conform to the modified calling convention.

Table 4–3. Runtime-Support Functions Using Modified Calling Convention

| Function                                              | Assembly File | Function           | Assembly File |
|-------------------------------------------------------|---------------|--------------------|---------------|
| _c_int00<br>_main<br>_exit                            | boot.asm      | MPY_I30            | mpyi.asm      |
| _frexp                                                | frexp30.asm   | MPY_K30            | mpyk.asm      |
| _ldexp                                                | ldexp30.asm   | MPY_LD             | mpyld.asm     |
| _longjmp<br>_setjmp                                   | setjmp.asm    | DIV_I30<br>DIV_I40 | divi.asm      |
| _modf                                                 | modf30.asm    | DIV_F30<br>DIV_F40 | divf.asm      |
| _sqrt                                                 | sqrt30.asm    | DIV_U30<br>DIV_U40 | divu.asm      |
| DIV_F, DIV_I<br>DIV_U, MOD_I<br>MOD_U, MPY_I<br>MPY_X | arith410.asm  | DIV_LD             | divld.asm     |
| INV_F30<br>INV_F40                                    | invf.asm      | MOD_I30<br>MOD_I40 | modi.asm      |
| INV_LD                                                | invld.asm     | MOD_U30<br>MOD_U40 | modu.asm      |

### 4.4.3 Responsibilities of a Called Function

A called function must perform certain tasks. Step 1 below helps to manage the local frame. If the function has no local variables, no stack arguments, and no need for local temporary storage, Steps 1) and 6) are not taken.

- 1) The called function sets up the local frame. The local frame is allocated in the following way:
  - a) The old frame pointer is saved on the stack.
  - b) The new frame pointer is set to the current SP.
  - c) The frame is allocated by adding its size to the SP.

- 2) If the called function modifies any of the following registers, it must save them on the stack.

| Save as integers |                       | Save as floating-point |    |
|------------------|-----------------------|------------------------|----|
| R4               | R5                    | R6                     | R7 |
| AR4              | AR5                   |                        |    |
| AR6              | AR7                   |                        |    |
| FP               | DP (small model only) |                        |    |
|                  | R8 ('C4x only)        |                        |    |

The called function may modify any other registers without saving them.

- 3) The called function executes its code.
- 4) If the function returns an integer, pointer, or float, it places the return value in R0. In the modified register-argument calling convention used for runtime support assembly files (page 4-18), pointers are returned in AR0.

If the function returns a structure, the caller allocates space for the structure and then passes the address of the return space to the called function in register AR0. To return a structure, the called function then copies the structure to the memory block that AR0 points to. If the caller does not use the return value, AR0 is set to 0. This directs the called function not to copy the return structure.

In this way, the caller can be “smart” about telling the called function where to return the structure. For example, in the statement  $s = f()$ , where  $s$  is a structure and  $f$  is a function that returns a structure, the caller can simply place the address of  $s$  in AR0 and call  $f$ . Function  $f$  then copies the return structure directly into  $s$ , performing the assignment automatically.

You must be careful to properly declare functions that return structures—both at the point where they are called (so the caller properly sets up AR0) and where they are defined (so the function knows to copy the result).

- 5) The called function restores all saved registers.
- 6) It deallocates the local frame (if necessary) by subtracting its size from SP and restores the old FP by popping it.
- 7) It pops the return address and branches to it. In functions with no saved registers, this is performed by executing a RETS statement. In other functions, the compiler loads the return address into R1 and uses a delayed branch to return. The delay slots are used to restore registers and deallocate the local frame.

#### 4.4.4 Accessing Arguments and Local Variables

A function accesses its stack arguments and local nonregister variables indirectly through the FP, which always points to the bottom of the local frame. Because the FP actually points to the old FP, the first local variable is addressed as `*+FP(1)`. Other local variables are addressed with increasing offsets, up to a maximum of 255. Local objects with offsets larger than 255 are accessed by first loading their offset into an index register ( $IRn$ ) and addressing them as `*+FP( $IRn$ )`.

Stack arguments are addressed in a similar way, but with negative offsets from the FP. The return address is stored at the location directly below the FP, so the first argument is addressed as `*-FP(2)`. Other arguments are addressed with increasing offsets, up to a maximum of 255 words. The IR registers are also used to access arguments with offsets larger than 255.

---

##### **Note: Avoid Locals and Arguments With Large Offsets**

It is desirable to avoid using locals and arguments with offsets larger than 255 words. However, if you must use locals and/or arguments with large offsets, the sequence used to access these variables is:

```
LDI offset, IRn
... *+FP(IRn), ...
```

This sequence incurs one additional instruction and three additional clock cycles each time it is used. If you must use a larger local frame, try to put the most frequently used variables within the first 255 words of the frame.

---

When register arguments are used, it is critically important that the caller and callee agree both in type and number of arguments so that the called function can find the arguments. Rules for argument passing are described in subsection 4.4.2. Arguments passed in registers can remain in those registers as long as the register is not needed for expression evaluation. If registers containing arguments must be freed for expression evaluation, they can be copied to the local frame or other registers at function entry.

When you are not using the optimizer, the compiler needs the argument-passing registers for expression evaluation, so the arguments are copied to a local frame at function entry.

When you are using the optimizer, the compiler attempts to keep register arguments in their original registers.

## 4.5 Interfacing C With Assembly Language

There are three ways to use assembly language in conjunction with C code:

- Use separate modules of assembled code and link them with compiled C modules (see subsection 4.5.1, page 4-22). This is the most versatile method.
- Use inline assembly language, embedded directly in the C source (see subsection 4.5.3, page 4-28).
- Modify the assembly language code that the compiler produces.

---

**Note: Assembler Support for Runtime Models**

The two argument-passing runtime models use different function structure and calling conventions. Assembly language functions called by C need to retrieve arguments according to the runtime model that was used to compile the code. The compiler and assembler provide support for the two runtime models in the form of two predefined symbols. The assembler symbol `.REGPARAM` is set to 1 when `-mr` is used and is set to 0 otherwise. The compiler symbol `_REGPARAM` is defined to be 1 if `-mr` is used and is set to 0 otherwise. Example 4-1 on page 4-25 shows how to use these symbols to write code that will work with either runtime model.

---

### 4.5.1 Assembly Language Modules

Interfacing with assembly language functions is straightforward if you follow the calling conventions defined in Section 4.4 and the register conventions defined in Section 4.3. C code can access variables and call functions defined in assembly language, and assembly code can access C variables and call C functions. Follow these guidelines to interface assembly language and C:

- All functions, whether they are written in C or assembly language, must follow the conventions outlined in Section 4.3, page 4-11.
- You must preserve any dedicated registers modified by a function. (You must preserve the DP in the small model only.) These are the dedicated registers:

| Save as integers |                       | Save as floating-point |    |
|------------------|-----------------------|------------------------|----|
| R4               | RS                    | R6                     | R7 |
| AR4              | AR5                   |                        |    |
| AR6              | AR7                   |                        |    |
| FP               | DP (small model only) |                        |    |
| SP               | R8 ('C4x only)        |                        |    |



All registers are saved as integers except R6 and R7, which are saved as floating-point values. If the SP is used normally, it does not need to be explicitly preserved. In other words, the assembly function is free to use the stack as long as anything that is pushed is popped back off before the function returns (thus preserving SP).

All other registers (such as expression registers, index registers, status registers, and block repeat registers) are not dedicated and can be used freely without first being saved.

- Interrupt routines must save the registers they use. Registers R0–R7 (R0–R11 on the TMS320C4x) must be saved as complete 40-bit values because they may contain either integers or floating-point values when the interrupt occurs. For more information about interrupt handling, refer to Section 4.6 on page 4-30.
- Access arguments from the stack or in the designated registers, depending on which argument-passing model is used.
- When calling a C function from assembly language, follow the guidelines in subsection 4.4.1, on page 4-16; push the arguments on the stack in reverse order. When using the register-argument model, load the designated registers with arguments, and push the remaining arguments on the stack as described in subsection 4.4.2, on page 4-17. When calling C functions, remember that only the dedicated registers are preserved. C functions can change the contents of any other register.
- Functions must return values correctly according to their C declarations. Integers, pointers, and floating-point values are returned in register R0, and structures are returned as described in step 4 on page 4-20.
- No assembly module should use the .cinit section for any purpose other than autoinitialization of global variables. The C startup routine in boot.asm assumes that the .cinit section consists entirely of initialization tables. Disrupting the tables by putting other information in .cinit can cause unpredictable results.
- The compiler appends an underscore (`_`) to the beginning of all identifiers. In assembly language modules, you must use a prefix of `_` for all objects that are to be accessible from C. For example, a C object named `x` is called `_x` in assembly language. For identifiers that are to be used only in an assembly language module or modules, any name that does not begin with a leading underscore may be safely used without conflicting with a C identifier.

- Any object or function declared in assembly that is to be accessed or called from C must be declared with the global directive in the assembler. This defines the symbol as external and allows the linker to resolve references to it.

Likewise, to access a C function or object from assembly, declare the C object with `.global`. This creates an undefined external reference that the linker will resolve.

## Predefined Symbols

The assembler has several predefined symbols that allow you to write assembly code that is compatible with the different runtime models. You can conditionally assemble code corresponding to different models by using these symbols as control switches when you invoke the assembler with the appropriate options (this happens automatically when you use `cl30`):

| Symbols                 | Value  | Description                        |
|-------------------------|--------|------------------------------------|
| <code>.TMS320C30</code> | 1 or 0 | 1 if <code>-v30</code> option used |
| <code>.TMS320C40</code> | 1 or 0 | 1 if <code>-v40</code> option used |
| <code>.REGPARM</code>   | 1 or 0 | 1 if <code>-mr</code> option used  |
| <code>.BIGMODEL</code>  | 1 or 0 | 1 if <code>-mb</code> option used  |

## An Example of an Assembly Language Function

Example 4–1 illustrates a C function called *main*, which calls an assembly language function called *asmfunc*. The *asmfunc* function takes its single argument, adds it to the C global variable called *gvar*, and returns the result. Note that this example can be used with either of the argument-passing conventions.

In the assembly language code in Example 4–1, note the underscores on all the C symbol names. Note also how the DP must be set only when accessing global variables in the big model. For the small model, the LDP instruction can be omitted. To use this example with either the large or small model, use the predefined symbol `.BIGMODEL` to conditionally assemble the LDP statement.

### Example 4–1. An Assembly Language Function Called From C

#### (a) C Program

```
extern int asmfunc(); /* declare extern asm function*/
int gvar; /* define global variable */

main()
{
 int i;
 i = asmfunc(i); /* call function normally */
}
```

#### (b) Assembly Language Program

```
FP .set AR3 ; FP is AR3

.global _asmfunc ; Declare external function
.global _gvar ; Declare external variable

_asmfunc:

.if .REGPARAM = 0 ; standard runtime model
PUSH FP ; Save old FP
LDI SP,FP ; Point to top of stack
LDI *-FP(2),AR2 ; Load argument into AR2
.endif ; Both runtime models
.if .BIGMODEL
LDP _gvar ; Set DP to page of gvar
.endif ;(BIG MODEL ONLY)
LDI @_gvar, RO
ADDI AR2,RO ; RO = gvar + argument
.if .REGPARAM = 0 ; Standard runtime model
POP FP ;Restore FP
.endif
RETS
```

In the C program in Example 4–1, the *extern* declaration of `asmfunc` is optional because the function returns an `int`. Like C functions, assembly functions need to be declared only if they return noninteger values. If you are using the register-argument runtime model, all functions, including assembly language functions, should have prototypes so that the arguments are passed correctly.

## 4.5.2 Accessing Assembly Language Variables From C

It is sometimes useful for a C program to access variables or constants defined in assembly language. There are three different methods that you can use to accomplish this, depending on where and how the item is defined; a variable defined in the `.bss` section, a variable not defined in the `.bss` section, or a constant.

## Accessing Variables Defined in the .bss Section

Accessing uninitialized variables from the .bss section is straightforward:

- Use the .bss directive to define the variable.
- Use the .global directive to make the definition external.
- Remember to precede the name with an underscore.
- In C, declare the variable as *extern*, and access it normally.

Example 4–2 shows an example that accesses a variable defined in .bss.

### Example 4–2. Accessing a Variable Defined in .bss From C

|                                                                                                                                                                                                                   |
|-------------------------------------------------------------------------------------------------------------------------------------------------------------------------------------------------------------------|
| <p>(a) <i>Assembly Language Program</i></p> <pre style="margin: 0;">* Note the use of underscores in the following lines  .bss    _var,1    ; Define the variable .global _var     ; Declare it as external</pre> |
| <p>(b) <i>C Program</i></p> <pre style="margin: 0;">extern int var;    /* External variable          */ var = 1;          /* Use the variable          */</pre>                                                   |

## Accessing Variables Not Defined in the .bss Section

It is more difficult to access a variable from C when the variable is not defined in the .bss section *and* you are using the small memory model *and* the variable is not allocated on the same data page as the .bss sections generated by the compiler. Note that using the big memory model causes the compiler to load the data page pointer prior to each direct memory access to variables; therefore, the following method is not needed.

Consider a lookup table, defined in assembly, that you do not want to put in RAM. In this case, you must define a pointer to the object and access it indirectly from C.

The first step is to define the object. You can define the object in its own section (either initialized or uninitialized), or you can define it in an existing section. After defining the object, declare a global label that points to the beginning of the object.

If the object has its own section, it can easily be linked anywhere into the memory space (this task is a little more difficult if the object is *sharing* an existing section). To access it in C, you must declare an additional C variable to point to the object. Initialize the pointer with the assembly language label declared for the object; remember to remove the underscore.

**Note: Use the `-mf` Option When Using the Optimizer**

The optimizer, by default, assumes that all variables are defined in the `.bss` section. As a result of this assumption, the optimizer is free to change indirect memory accesses to direct ones if it is more efficient to do so. If you are accessing a variable that is not defined in `.bss`, this assumption is invalid. Use the `-mf` option to force the optimizer to preserve indirect memory access.

Example 4–3 shows an example for accessing a variable that is not defined in `.bss`.

*Example 4–3. Accessing a Variable Not Defined in `.bss` From C**(a) Assembly Language Program*

```
.global _sine ; Declare variable as external
.sect "sine_tab" ; Make a separate section
_sine:
.float 0.0
.float 0.015987
.float 0.022145
```

*(b) C Program*

```
extern float sine[]; /* This is the object */
float *sine_p = sine; /* Declare pointer to it */
f = sine_p[4]; /* Access sine as normal array */
```

A reference such as `sine[4]` will not work because the object is not in `.bss` and because a direct reference such as this generates incorrect code.

Alternatively, the following can be used in C:

```
extern float sine;
float *sine_p = &sine;
f = sine_p[4];
```

or the following can be used in the assembly program:

```
.global _sine
_sine .usect "sine_tab", 4
```

or

```
.global _sine
.bss _sine, 4
```

In the last case, use the C method only if the `.bss` section generated by the assembler is not allocated (by the linker) on the same data page as the `.bss` output section generated by the compiler.

## Accessing Assembly Language Constants

You can define global constants in assembly language by using the `.set` and `.global` directives or in a linker command file using a linker assignment statement. These constants are accessible from C, but it is not straightforward.

For normal variables defined in C or assembly language, the symbol table contains the *address of the value* of the variable. For assembler constants, however, the symbol table contains the *value* of the constant. The compiler cannot tell which items in the symbol table are values and which are addresses.

If you try to access an assembler (or linker) constant by name, the compiler attempts to fetch a value from the address represented in the symbol table. To prevent this unwanted fetch, you must use the `&` (address of) operator to get the value. In other words, if `_x` is an assembly language constant, its value in C is `&x`.

You can use casts and `#defines` to ease the use of these symbols in your program, as in Example 4–4.

### Example 4–4. Accessing an Assembly Language Constant From C

```
(a) Assembly Language Program
_table_size .set 10000 ; define the constant
.global _table_size ; make it global

(b) C Program
extern int table_size; /* external ref */
#define TABLE_SIZE ((int) (&table_size))
. /* use cast to hide address-of */
.
.
for (i=0; i<TABLE_SIZE; ++i)
/* use like normal symbol */
```

Because you are referencing only the symbol's value as stored in the symbol table, the symbol's declared type is unimportant. In Example 4–4, `int` is used. You can reference linker-defined symbols in a similar manner.

### 4.5.3 Inline Assembly Language

Within a C program, you can use the *asm statement* to inject a single line of assembly language into the assembly language file that the compiler creates.

A series of `asm` statements places sequential lines of assembly language into the compiler output with no intervening code.

The `asm` statement is provided so that you can access features of the hardware that would be otherwise inaccessible from C. For example, you can modify the interrupt control registers to enable or disable interrupts. You can also access the status, interrupt enable, and interrupt flag registers.

---

**Note: Avoid Disrupting the C Environment With `asm` Statements**

Be extremely careful not to disrupt the C environment with `asm` statements. The compiler does not check the inserted instructions. Inserting jumps and labels into C code can cause unpredictable results in variables manipulated in or around the inserted code. Directives that change sections or otherwise affect the assembly environment can also be troublesome. Be especially careful when you use the optimizer with `asm` statements. Although the optimizer cannot remove `asm` statements, it can significantly rearrange the code order near `asm` statements, possibly causing undesired results. The `asm` command is provided so that you can access features of the hardware, which, by definition, C is unable to access.

---

The `asm` statement is also useful for inserting comments in the compiler output; simply start the assembly code string with an asterisk (\*) as shown below:

```
asm("**** this is an assembly language comment");
```

## 4.6 Interrupt Handling

Interrupts can be handled directly with C functions by using a special naming convention:

**c\_intnn**

*nn* is a two-digit interrupt number between 00 and 99. For example:

**c\_int01**

Using one of these function names defines an interrupt routine. When the compiler encounters one of these function names, it generates code that allows the function to be activated from an interrupt trap.

Note that `c_int00` is the C boot routine and should not be used as an interrupt routine. See Section 4.8 on page 4-36 for further information on this routine.

A C interrupt routine is like any other C function in that it can have local variables and register variables; however, it should be declared with no arguments. Interrupt handling functions should not be called directly.

### 4.6.1 Saving Registers During Interrupts

When C code or assembly code is interrupted, all registers must be preserved, including the status registers. A problem arises with the extended-precision registers R0–R7 (R0–R11 on the 'C4x): these registers can contain either integer or floating-point values, and an interrupt routine cannot determine the type of value in a register. Thus, an interrupt routine must preserve *all 40 bits* of any of these registers that it modifies. This involves saving both the integer part (lower 32 bits) and the floating-point part (upper 32 bits).

The following code illustrates the entry and exit sequences for an interrupt service routine that has two local variables and uses registers FP, SP, ST, R3, R4, and AR4:

```
PUSH FP ; save old FP
LDI SP,FP ; set up new FP
ADDI 2,SP ; allocate local frame
PUSH ST ; save ST
PUSH R3 ; save lower 32 bits of R3
PUSHF R3 ; save upper 32 bits of R3
PUSH R4 ; save lower 32 bits of R4
PUSHF R4 ; save upper 32 bits of R3
PUSH AR4 ; save AR4
```



## Exit

```
POP AR4 ; restore AR4
POPF R4 ; restore upper 32 bits of R4
POP R4 ; restore lower 32 bits of R4
POPF R3 ; restore upper 32 bits of R3
POP R3 ; restore lower 32 bits of R3
SUBI 2,SP ; deallocate local frame
POP FP ; restore Frame Pointer
POP ST ; restore SStatus register
reti
```

Notice how the upper and lower bits of R3 and R4 are saved and restored separately. Any extended-precision register must be saved in two parts. All other registers can be saved as integers.

### 4.6.2 Assembly Language Interrupt Routines

Interrupts can also be handled with assembly language code, as long as the register conventions are followed. Like *all* assembly functions, interrupt routines can use the stack, access global C variables, and call C functions normally. When calling C functions, be sure that all nondedicated registers are preserved because the C function can modify any of them. Of course, dedicated registers need not be saved because they are preserved by the C function. Interrupt handler functions, whether in C or assembly, must be installed by placing their address in the interrupt vector table. On the TMS320C3x, this table is located in the first 64 words of the address space. On the TMS320C4x, the table can be located anywhere on any 512 word boundary in the address space. The IVTP register points to the location of the interrupt vector table.

## 4.7 Runtime-Support Arithmetic Routines

The runtime-support library contains a number of assembly language functions that provide arithmetic routines for C math operators that the TMS320C3x/C4x instruction set does not provide, such as division. There are as many as three different versions of each of these functions. The versions are distinguished from each other by the number appended to the function name. For example, DIV\_F30 is the version of DIV\_F that is called when the code is compiled for the TMS320C3x, DIV\_F40 is for the 'C4x, and DIV\_F is the version called by code compiled by version 4.10 (and all earlier versions) of the compiler.

The TMS320C3x MPYI (multiply integer) instruction does not perform full 32-bit multiplication (the TMS320C4x MPYI instruction *does*); it uses only the lower 24 bits of each operand. Because standard C requires full 32-bit multiplication, a runtime-support function, MPY\_I30, is provided to implement 32-bit integer multiplication for the TMS320C3x. This function does not follow the standard C calling sequence; instead, operands are passed in registers R0 and R1. The 32-bit product is returned in R0.

Note that using the shell option `-mp` causes the code generator to inline 32-bit by 32-bit and 32-bit by 16-bit integer multiplication, rather than call MPY\_I30. Inlining this multiplication significantly reduces cycle time. In addition, the MPY\_I30 function is not used for squares (such as  $i * i$ ); an inline squaring function is used, which also reduces cycle time.

The compiler uses the TMS320C3x MPYI instruction only in cases where address arithmetic is performed (such as during array indexing); because no address can have more than 24 bits, a 24 x 24 multiply is sufficient. You can use the `-mm` option to force the compiler to use MPYI instructions for all integer multiplies.

Because the TMS320C4x MPYI instruction performs full 32-bit multiplication, there is no MPY\_I40 function.

Because the TMS320C3x/C4x has no division instructions, integer and floating-point division are performed via calls to additional runtime-support functions named DIV\_I30 and DIV\_F30 (or DIV\_I40 and DIV\_F40 for the TMS320C4x). Another function, MOD\_I30, performs the integer modulo operation. Corresponding functions named DIV\_U30 and MOD\_U30 are used for unsigned integer division and modulo. Like MPY\_I30, these functions take their arguments from R0 and R1 and return the result in R0. These functions differ for the TMS320C3x and the TMS320C4x because the 'C4x division functions take advantage of the RCPF instruction (16-bit reciprocal).

There are three runtime-support arithmetic functions specifically for extended-precision arithmetic: `MPY_LD` (multiply), `DIV_LD` (divide), and `INV_LD` (inverse/reciprocals). These functions support the 40-bit long double data type.

The runtime-support arithmetic functions can use expression registers without saving them. Each function has individual register-use conventions, and the compiler respects these conventions. Register use is fully documented in the source to each of the functions.

The arithmetic functions are written in assembly language. Because of the special calling conventions these functions use, *you cannot access them from C*.

Object code for them is provided in any of the runtime object libraries provided (listed in Section 2.3 on page 2-35). Any of these functions that your program needs are linked in automatically if you name one of these libraries as input at link time.

The source code for these functions is provided in the source library `rts.src`. The source code has comments that describe the operation and timing of the functions. You can extract, inspect, and modify any of the math functions; be sure you follow the special calling conventions and register-saving rules outlined in this section.

Table 4–4 summarizes the runtime-support functions used for arithmetic.

Table 4–4. Summary of Runtime-Support Arithmetic Functions

| Function                                                                    | Description                                 | Defined In   | Registers Used               |
|-----------------------------------------------------------------------------|---------------------------------------------|--------------|------------------------------|
| MPY_I30                                                                     | Integer multiply                            | mpyi.asm     | R0, R1, AR0, AR1             |
| MPY_K30                                                                     | Integer multiply by constant                | mpyk.asm     | R0, R1, AR0, AR1             |
| MPY_LD                                                                      | 40-bit float multiply                       | mpyld.asm    | R0, R1, R2, R3, BK           |
| DIV_I30                                                                     | Integer divide                              | divi.asm     | RC, RS, RE                   |
| DIV_I40                                                                     | Integer divide                              | divi.asm     | RC, RS, RE                   |
| DIV_U30                                                                     | Unsigned integer divide                     | divu.asm     | R0, R1, AR0, AR1, RC, RS, RE |
| DIV_U40                                                                     | Unsigned integer divide                     | divu.asm     | R0, R1, AR0, AR1, RC, RS, RE |
| DIV_F30                                                                     | Floating-point divide                       | divf.asm     | R0, R1, AR0, AR1             |
| DIV_F40                                                                     | Floating-point divide                       | divf.asm     | R0, R1, AR0, AR1, R10        |
| DIV_LD                                                                      | 40-bit float divide                         | divld.asm    | R0, R1, R2, R3, R5, RC, BK   |
| INV_F30                                                                     | Floating-point reciprocal                   | invf.asm     | R0, R1, AR0, AR1             |
| INV_F40                                                                     | Floating-point reciprocal                   | invf.asm     | R0, R1, AR0, AR1             |
| INV_LD                                                                      | 40-bit float reciprocal                     | invld.asm    | R0, R1, R2, R3, BK           |
| MOD_I30                                                                     | Integer modulo                              | modi.asm     | R0, R1, AR0, AR1             |
| MOD_I40                                                                     | Integer modulo                              | modi.asm     | R0, R1, AR0, AR1             |
| MOD_U30                                                                     | Unsigned integer modulo                     | modu.asm     | R0, R1, AR0, AR1, RC, RS, RE |
| MOD_U40                                                                     | Unsigned integer modulo                     | modu.asm     | R0, R1, AR0, AR1, RC, RS, RE |
| <b>Functions Provided for Compatibility With Previous Compiler Versions</b> |                                             |              |                              |
| MPY_I                                                                       | Integer multiply                            | arith410.asm | R0–R3                        |
| MPY_X                                                                       | Integer multiply for early versions of 'C30 | arith410.asm | R0–R3                        |
| DIV_I                                                                       | Integer divide                              | arith410.asm | R0–R3, RC, RS, RE            |
| DIV_U                                                                       | Unsigned integer divide                     | arith410.asm | R0–R3, RC, RS, RE            |
| DIV_F                                                                       | Floating-point divide                       | arith410.asm | R0–R3                        |
| MOD_I                                                                       | Integer modulo                              | arith410.asm | R0–R3, RC, RS, RE            |
| MOD_U                                                                       | Unsigned integer modulo                     | arith410.asm | R0–R3, RC, RS, RE            |

### 4.7.1 Precision Considerations

The compiler will replace costly mathematical operations with narrower precision equivalents if the containing expression does not require the use of high-precision functions. For example, on the 'C3x, if the outermost operation causes the precision of the entire expression to be limited to 24 bits or less, all multiplies within the expression will be performed with the MPYI instruction instead of with the MPY\_I30 function. Bit masks and shift counts may be reduced to fit within an immediate value rather than requiring a space in the constant table.

For example, consider the following code fragment:

```
int offset, index, i,j,k,l,m,n,o;
i = 0xFFF & (offset * index);
j = (offset * index) << 12;
k = (0x0FFFFFFF & offset) << 24;
l = array[0xFF & (offset * index)];
m = array[(offset * index) << 12];
n = array[(0xFFFFF & offset) << 24];
o = (0xFFFFF & (offset * index)) << 24;
```

In all of the cases above, the compiler recognizes that the interior multiplications will be precision-limited by the various masks and/or shifts specified. It will then avoid using the MPY\_I30 runtime support function, even though the variables offset and index are 32-bit integers. The MPYI instruction or a series of shifts will be used instead. In the assignment of variable o, the precision requirements introduced by the shift left of 24 allow the compiler to convert the value 0xFFFFF into 0xFF, eliminating the need to store this value on the constant table.

## 4.8 System Initialization

Before you can run a C program, the C runtime environment must be created. This task is performed by the C boot routine, which is a function called `c_int00`.

The `c_int00` function can be branched to, called, or vectored by reset hardware to begin running the system. The function is in the runtime-support library and must be linked with the other C object modules. This occurs automatically when you use the `-c` or `-cr` option in the linker and include a runtime-support library created from `rts.src` as one of the linker input files. When C programs are linked, the linker sets the entry point value in the executable output module to the symbol `c_int00`.

The `c_int00` function performs the following tasks in order to initialize the C environment:

- Defines a section called `.stack` for the system stack and sets up the initial stack and frame pointers
- Autoinitializes global variables by copying the data from the initialization tables in `.cinit` to the storage allocated for the variables in `.bss`. In the small model, the constant tables are also copied from `.cinit` to `.bss`. Note this does not refer to data in the `.const` section

In the RAM initialization model, a loader performs this step before the program runs (it is not performed by the boot routine). For more information, refer to subsection 4.8.1.

- Small memory model only* — sets up the page pointer DP to point to the global storage page in `.bss`
- Calls the function `main` to begin running the C program

You can replace or modify the boot routine to meet your system requirements. However, the boot routine *must* perform the four operations listed above in order to correctly initialize the C environment. The runtime-support source library contains the source to this routine in a module named `boot.asm`.

### 4.8.1 Autoinitialization of Variables and Constants

Some global variables must have initial values assigned to them before a C program starts running. The process of retrieving these variables' data and initializing the variables with the data is called **autoinitialization**.

The compiler builds tables in a special section called `.cinit` that contains data for initializing global and static variables. Each compiled module contains these initialization tables. The linker combines them into a single table (a single `.cinit` section). The boot routine uses this table to initialize all the variables that need values before the program starts running.

**Note: Initializing Variables**

In standard C, global and static variables that are not explicitly initialized are set to 0 before program execution. The TMS320C3x/C4x C compiler does not perform any preinitialization of uninitialized variables. Any variable that must have an initial value of 0 must be explicitly initialized. An alternative is to have a loader or boot.obj clear the .bss section before the program starts running.

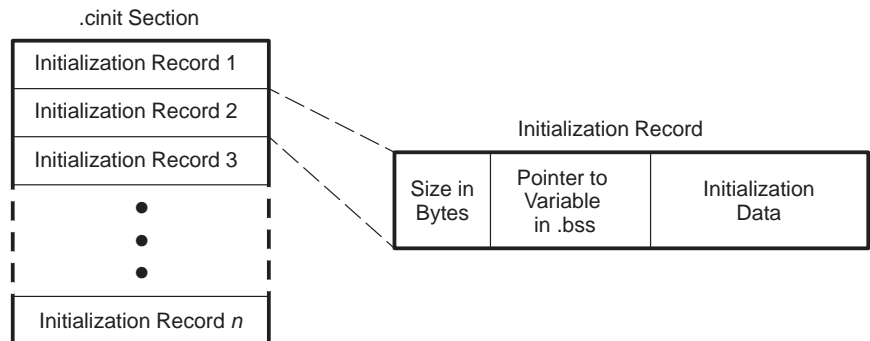
In the small memory model, any tables of long constant values or constant addresses must also be copied into the global data page at this time. Data for these tables is incorporated into the initialization tables in .cinit and thus is automatically copied at initialization time.

There are two methods for copying the initialization data into memory: RAM and ROM. The RAM model of initialization is discussed on page 4-38; the ROM model of initialization is discussed on page 4-39.

**Initialization Tables**

The tables in the .cinit section consist of initialization records with varying sizes. Each initialization record has the following format:

Figure 4–3. Format of Initialization Records in the .cinit Section



- The first field (word 0, record 1) is the size (in words) of the initialization data for the variable.
- The second field (word 1, record 2) is the starting address of the area in the .bss section into which the initialization data must be copied. (This field points to a variable's space in .bss.)
- The third field (word 2, record 3, through n) contains the data that is copied into the variable to initialize it.

The `.cinit` section contains an initialization record for each variable that must be initialized. For example, suppose two initialized variables are defined in C as follows:

```
int i = 23;
int a[5] = { 1, 2, 3, 4, 5 };
```

The initialization tables would appear as follows:

```
 .sect ".cinit" ; Initialization section
* Initialization record for variable i
 .word 1 ; Length of data (1 word)
 .word _i ; Address in .bss
 .word 23 ; Data to initialize i
* Initialization record for variable a
 .word 5 ; Length of data (5 words)
 .word _a ; Address in .bss
 .word 1,2,3,4,5 ; Data to initialize a
```

The `.cinit` section contains *only* initialization tables in this format. If you are interfacing assembly language modules to your C program, do not use the `.cinit` section for any other purpose.

When you link a program with the `-c` or `-cr` option, the linker links together the `.cinit` sections from all the C modules and appends a null word to the end of the entire section. This appears as a record with a size field of 0 and marks the end of the initialization tables.

### ***Initializing Variables in the RAM Model***

The RAM model, specified with the `-cr` linker option, allows variables to be initialized at *load time* instead of at runtime. This can enhance performance by reducing boot time and by saving the memory used by the initialization tables.

The RAM option requires the use of a **smart loader** to perform the initialization as it copies the program from the object file into memory.

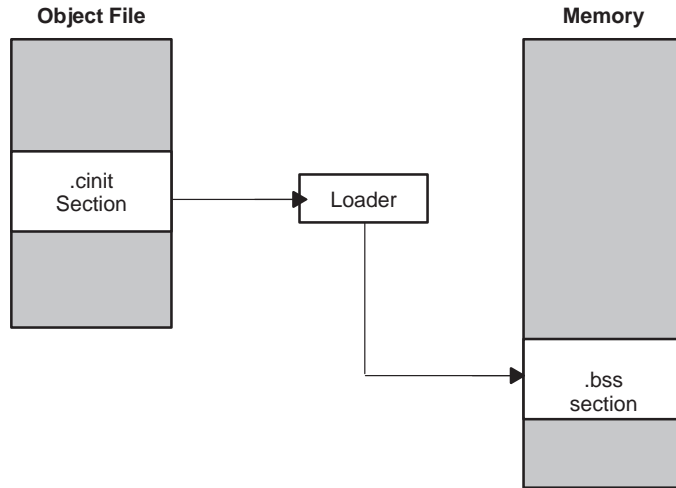
In the RAM model, the linker marks the `.cinit` section with a special attribute (STYP\_CPY equals 1). This means that the section is *not* loaded into memory and does *not* occupy space in the memory map. The linker also sets the symbol `cinit` to `-1` to indicate to the C boot routine that the initialization tables are not present in memory; accordingly, no runtime initialization is performed at boot time.

Instead, when the program is loaded into memory, the loader must detect the presence of the `.cinit` section and its special attribute. Instead of loading the section into memory, the loader uses the initialization tables directly from the object file to initialize the variables in `.bss`. To use the RAM model, the loader must understand the format of the initialization tables so that it can use them.



A loader is *not* part of the compiler package. The loader used in TI emulator and simulator products is a smart loader.

Figure 4–4. RAM Model of Autoinitialization

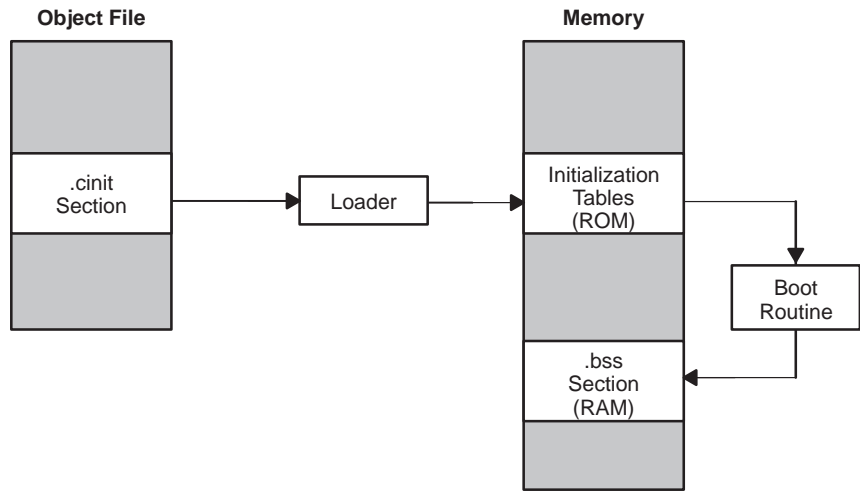


### Initializing Variables in the ROM Model

The ROM model is the default model for autoinitialization. To use the ROM model, invoke the linker with the `-c` option.

Under this method, the `.cinit` section is loaded into memory (possibly ROM) along with all the other sections, and global variables are initialized at *runtime*. The linker defines a special symbol called `cinit` that points to the beginning of the initialization tables in memory. When the program begins running, the C boot routine copies data from the tables (pointed to by `cinit`) into the specified variables in `.bss`. This allows initialization data to be stored in ROM and then copied to RAM each time the program is started.

Figure 4–5. ROM Model of Autoinitialization



# Runtime-Support Functions

---

---

---

Some of the tasks that a C program must perform (such as I/O, floating-point arithmetic, dynamic memory allocation, string operations, and trigonometric functions) are not part of the C language itself. The runtime-support functions, which are included with the C compiler, are standard ANSI functions that perform these tasks. The runtime-support library, `rts.src`, contains the source for these functions, as well as for other functions and routines. If you use any of the runtime-support functions, be sure to build the appropriate library, according to the desired runtime model, using the library-build utility; then include that library as linker input when you link your C program.

These are the topics covered in this chapter:

| <b>Topic</b>                                                     | <b>Page</b> |
|------------------------------------------------------------------|-------------|
| <b>5.1 Runtime-Support Libraries .....</b>                       | <b>5-2</b>  |
| <b>5.2 Header Files .....</b>                                    | <b>5-4</b>  |
| <b>5.3 Summary of Runtime-Support Functions and Macros .....</b> | <b>5-13</b> |
| <b>5.4 Functions Reference .....</b>                             | <b>5-21</b> |

## 5.1 Runtime-Support Libraries

Nine runtime-support libraries are included with the TMS320C3x/C4x C compiler: eight object libraries containing object code for the runtime-support and a source library containing source code for the functions in the object libraries.

| Runtime Library | Processor | Option(s) Used             |
|-----------------|-----------|----------------------------|
| rts30.lib       | TMS320C3x | -mf -mi -o2 -x             |
| rts30g.lib      | TMS320C3x | -mf -mi -o2 -x -g          |
| rts30r.lib      | TMS320C3x | -mf -mi -o2 -x -mr         |
| rts30gr.lib     | TMS320C3x | -mf -mi -o2 -x -g -mr      |
| rts40.lib       | TMS320C4x | -v40 -mf -mi -o2 -x        |
| rts40g.lib      | TMS320C4x | -v40 -mf -mi -o2 -x -g     |
| rts40r.lib      | TMS320C4x | -v40 -mf -mi -o2 -x -mr    |
| rts40gr.lib     | TMS320C4x | -v40 -mf -mi -o2 -x -g -mr |

**rts.src** is the source library. If necessary, you can create your own runtime-support library from rts.src by using the library-build utility (mk30) described in Chapter 6.

All object libraries built from rts.src include the standard C runtime-support functions described in this chapter, the intrinsic arithmetic routines described in Section 4.7 on page 4-32, and the system startup routine, `_c_int00`. The object libraries are built from the C and assembly source contained in rts.src.

When you link your program, you must specify an object library as one of the linker input files so that references to runtime-support functions can be resolved. You should usually specify libraries *last* on the linker command line because the assembler searches for unresolved references when it encounters a library on the command line. You can also use the `-x` linker option to force repeated searches of each library until it can resolve no more references. When a library is linked, the linker includes only those library members required to resolve undefined references. For more information about linking, refer to Section 2.10 on page 2-65.

### 5.1.1 Modifying a Library Function

You can inspect or modify library functions by using the archiver to extract the appropriate source file or files from `rts.src`. For example, the following command extracts two source files:

```
ar30 x rts.src atoi.c strcpy.c
```

To modify a function, extract the source as in the previous example. Make the required changes to the code, recompile, and then reinstall the new object file or files into the library:

```
cl30 -options atoi.c strcpy.c ;recompile
ar30 r rts.lib atoi.obj strcpy.obj ;rebuild library
```

You can also build a new library this way, rather than rebuilding back into `rts.lib`. For more information about the archiver, refer to Chapter 8 of the *TMS320C3x/C4x Assembly Language Tools User's Guide*.

### 5.1.2 Building a Library With Different Options

You can create a new library from `rts.src` by using the library-build utility, `mk30`. For example, use this command to build an optimized runtime-support library for the TMS320C4x using the big memory model and the register-argument runtime model:

```
mk30 --u -mr -v40 -mb -o2 -x rts.src -l rts40rb.lib
```

The `-u` option tells the `mk30` utility to use the header files in the current directory, rather than extracting them from the source archive. The new library is compatible with any code compiled for the 'C4x (`-v40`) using the big memory model (`-mb`) and the register-argument runtime model (`-mr`). The use of the optimizer (`-o2`) and inline function expansion (`-x`) options does not affect compatibility with code compiled without these options.

## 5.2 Header Files

Each runtime-support function is declared in a *header file*. Each header file declares the following:

- A set of related functions (or macros)
- Any types that you need to use the functions
- Any macros that you need to use the functions

These are the header files that declare the runtime-support functions:

|          |          |          |
|----------|----------|----------|
| assert.h | limits.h | stdio.h  |
| ctype.h  | math.h   | stdlib.h |
| errno.h  | setjmp.h | string.h |
| file.h   | stdarg.h | time.h   |
| float.h  | stddef.h |          |

In order to use a runtime-support function, you must first use the `#include` preprocessor directive to include the header file that declares the function. For example, the `isdigit` function is declared by the `ctype.h` header. Before you can use the `isdigit` function, you must first include `ctype.h`:

```
#include <ctype.h>
.
.
.
val = isdigit(num);
```

You can include headers in any order. You must include a header before you reference any of the functions or objects that it declares.

Subsections 5.2.1 through 5.2.7 describe the header files that are included with the TMS320C3x/C4x C compiler. Section 5.3, page 5-13, lists the functions that these headers declare.

### 5.2.1 Diagnostic Messages (`assert.h`)

The `assert.h` header defines the `assert` macro, which inserts diagnostic failure messages into programs at runtime. The `assert` macro tests a runtime expression.

- If the expression is true (nonzero), the program continues running.
- If the expression is false, the macro outputs a message that contains the expression, the source file name, and the line number of the statement that contains the expression; then, the program terminates (via the `abort` function).

The `assert.h` header refers to another macro named `NDEBUG` (`assert.h` does not define `NDEBUG`). If you have defined `NDEBUG` as a macro name when you include `assert.h`, then `assert` is turned off and does nothing. If `NDEBUG` is *not* defined, `assert` is enabled.

## 5.2.2 Character-Typing and Conversion (`ctype.h`)

The `ctype.h` header declares functions that test and convert characters.

For example, a character-typing function may test a character to determine whether it is a letter, a printing character, a hexadecimal digit, etc. These functions return a value of *true* (a nonzero value) or *false* (0).

The character-conversion functions convert characters to lower case, upper case, or ASCII and return the converted character.

Character-typing functions have names in the form `isxxx` (for example, `isdigit`). Character-conversion functions have names in the form `toxxx` (for example, `toupper`).

The `ctype.h` header also contains macro definitions that perform these same operations; the macros run faster than the corresponding functions. The typing macros expand to a lookup operation in an array of flags (this array is defined in `ctype.c`). The macros have the same name as the corresponding functions, but each macro is prefixed with an underscore (for example, `_isdigit`).

## 5.2.3 Error Reporting (`errno.h`)

Errors can occur in a math function if the invalid parameter values are passed to the function or if the function returns a result that is outside the defined range for the type of the result. When this happens, a variable named `errno` is set to the value of one of the following macros:

- `EDOM`, for domain errors (invalid parameter)
- `ERANGE`, for range errors (invalid result)

C code that calls a math function can read the value of `errno` to check for error conditions. The `errno` variable is declared in `errno.h` and defined in `errno.c`.

## 5.2.4 Low-Level I/O Functions (`file.h`)

The `file.h` header declares the low-level I/O functions used to implement input and output operations.

The C I/O functions make it possible to access the host's operating system to perform I/O (using the debugger). For example, `printf` statements executed in a program appear in the debugger command window. When used in conjunction with the debugging tools, the capability to perform I/O on the host gives you more options when debugging and testing code.

For detailed information on using the low-level I/O functions, see Appendix B.

## 5.2.5 Limits (float.h and limits.h)

The *float.h* and *limits.h* headers define macros that expand to useful limits and parameters of the TMS320C3x/C4x numeric representations. Table 5–1 and Table 5–2 list these macros and the limits with which they are associated.

Table 5–1. Macros That Supply Integer Type Range Limits (*limits.h*)

| Macro     | Value       | Description                             |
|-----------|-------------|-----------------------------------------|
| CHAR_BIT  | 32          | Number of bits in type char             |
| SCHAR_MIN | –2147483648 | Minimum value for a signed char         |
| SCHAR_MAX | 2147483647  | Maximum value for a signed char         |
| UCHAR_MAX | 4294967295  | Maximum value for an unsigned char      |
| CHAR_MIN  | SCHAR_MIN   | Minimum value for a char                |
| CHAR_MAX  | SCHAR_MAX   | Maximum value for a char                |
| SHRT_MIN  | –2147483648 | Minimum value for a short int           |
| SHRT_MAX  | 2147483647  | Maximum value for a short int           |
| USHRT_MAX | 4294967295  | Maximum value for an unsigned short int |
| INT_MIN   | –2147483648 | Minimum value for an int                |
| INT_MAX   | 2147483647  | Maximum value for an int                |
| UINT_MAX  | 4294967295  | Maximum value for an unsigned int       |
| LONG_MIN  | –2147483648 | Minimum value for a long int            |
| LONG_MAX  | 2147483647  | Maximum value for a long int            |
| ULONG_MAX | 4294967295  | Maximum value for an unsigned long int  |

**Note:** Negative values in this table are defined as expressions in the actual header file so that their type is correct.



Table 5–2. Macros That Supply Floating-Point Range Limits (*float.h*)

| Macro           | Value          | Description                                                                                                                          |
|-----------------|----------------|--------------------------------------------------------------------------------------------------------------------------------------|
| FLT_RADIX       | 2              | Base or radix of exponent representation                                                                                             |
| FLT_ROUNDS      | –1             | Rounding mode for floating-point addition                                                                                            |
| FLT_DIG         | 6              | Number of decimal digits of precision for a float, double, or long double                                                            |
| DBL_DIG         | 6              |                                                                                                                                      |
| LDBL_DIG        | 8              |                                                                                                                                      |
| FLT_MANT_DIG    | 24             | Number of base-FLT_RADIX digits in the mantissa of a float, double, or long double                                                   |
| DBL_MANT_DIG    | 24             |                                                                                                                                      |
| LDBL_MANT_DIG   | 32             |                                                                                                                                      |
| FLT_MIN_EXP     | –126           | Minimum negative integer such that FLT_RADIX raised to that power minus 1 is a normalized float, double, or long double              |
| DBL_MIN_EXP     |                |                                                                                                                                      |
| LDBL_MIN_EXP    |                |                                                                                                                                      |
| FLT_MAX_EXP     | 128            | Maximum negative integer such that FLT_RADIX raised to that power minus 1 is a representable finite float, double, or long double    |
| DBL_MAX_EXP     |                |                                                                                                                                      |
| LDBL_MAX_EXP    |                |                                                                                                                                      |
| FLT_EPSILON     | 1.1920929E–07  | Minimum positive float, double, or long double number $x$ such that $1.0 + x \neq 1.0$                                               |
| DBL_EPSILON     | 1.1920929E–07  |                                                                                                                                      |
| LDBL_EPSILON    | 1.19209287E–07 |                                                                                                                                      |
| FLT_MIN         | 5.8774817E–39  | Minimum positive float, double, or long double                                                                                       |
| DBL_MIN         | 5.8774817E–39  |                                                                                                                                      |
| LDBL_MIN        | 5.87747175E–39 |                                                                                                                                      |
| FLT_MAX         | 3.4028235E+38  | Maximum float, double, or long double                                                                                                |
| DBL_MAX         | 3.4028235E+38  |                                                                                                                                      |
| LDBL_MAX        | 3.40282367E+38 |                                                                                                                                      |
| FLT_MIN_10_EXP  | –39            | Minimum negative integers such that 10 raised to that power is in the range of normalized floats, doubles, or long doubles           |
| DBL_MIN_10_EXP  |                |                                                                                                                                      |
| LDBL_MIN_10_EXP |                |                                                                                                                                      |
| FLT_MAX_10_EXP  | 38             | Maximum positive integers such that 10 raised to that power is in the range of representable finite floats, doubles, or long doubles |
| DBL_MAX_10_EXP  |                |                                                                                                                                      |
| LDBL_MAX_10_EXP |                |                                                                                                                                      |

**Key to prefixes:**

FLT\_ applies to type float  
 DBL\_ applies to type double  
 LDBL\_ applies to type long double

### 5.2.6 Floating-Point Math (`math.h`)

The `math.h` header defines several trigonometric, exponential, and hyperbolic math functions. These math functions expect double precision floating point arguments and return double precision floating point values. Except where indicated, all trigonometric functions use angles expressed in radians.

The `math.h` header also defines one macro named `HUGE_VAL`; the math functions use this macro to represent out-of-range values. When a function produces a floating-point return value that is too large to be represented, it returns `HUGE_VAL` instead.

### 5.2.7 Nonlocal Jumps (`setjmp.h`)

The `setjmp.h` header defines one type, one macro, and one function for bypassing the normal function call and return discipline. These include:

- ❑ `jmpbuf`, an array type suitable for holding the information needed to restore a calling environment.
- ❑ `setjmp`, a macro that saves its calling environment in its `jmp_buf` argument for later use by the `longjmp` function.
- ❑ `longjmp`, a function that uses its `jmp_buf` argument to restore the program environment.

### 5.2.8 Variable Arguments (`stdarg.h`)

Some functions can have a variable number of arguments whose types can differ; such functions are called *variable-argument functions*. The `stdarg.h` header declares three macros and a type that help you to use variable-argument functions:

- ❑ The three macros are `va_start`, `va_arg`, and `va_end`. These macros are used when the number and type of arguments may vary each time a function is called.
- ❑ The type, `va_list`, is a pointer type that can hold information for `va_start`, `va_end`, and `va_arg`.

A variable-argument function can use the macros declared by `stdarg.h` to step through its argument list at runtime, when it knows the number and types of arguments actually passed to it.

---

**Note: Variable-Argument Functions Must Have Prototypes**

A variable-argument function must have a prototype to ensure that the arguments are passed correctly.

---

## 5.2.9 Standard Definitions (`stddef.h`)

The `stddef.h` header defines two types and two macros. The types include:

- `ptrdiff_t`, a signed integer type that is the result from the subtraction of two pointers
- `size_t`, an unsigned integer type that is the data type of the `sizeof` operator

The macros include:

- The `NULL` macro, which expands to a null pointer constant(0)
- The `offsetof(type, identifier)` macro, which expands to an integer that has type `size_t`. The result is the value of an offset in bytes to a structure member (`identifier`) from the beginning of its structure (`type`)

These types and macros are used by several of the runtime-support functions.

## 5.2.10 `stdio.h`—I/O Functions

The `stdio.h` header defines types and macros and declares functions.

### *Type Declarations*

The following table lists the types defined in `stdio.h`:

| Type                | Description                                                                        |
|---------------------|------------------------------------------------------------------------------------|
| <code>size_t</code> | An unsigned integer type that is the data type of the <code>sizeof</code> operator |
| <code>fpos_t</code> | An unsigned long type that can uniquely specify every position within a file       |
| <code>FILE</code>   | A structure type to record all the information necessary to control a stream       |

## Macro Declarations

The following table lists the macros defined in `stdio.h`:

| Macro                            | Description                                                                                                                         |
|----------------------------------|-------------------------------------------------------------------------------------------------------------------------------------|
| NULL                             | Expands to a null pointer constant(0). Originally defined in <code>stddef.h</code> . It is not redefined if it was already defined. |
| BUFSIZ                           | Expands to the size of the buffer that <code>setbuf()</code> uses                                                                   |
| EOF                              | The end-of-file marker                                                                                                              |
| FOPEN_MAX                        | Expands to the largest number of files that can be open at one time                                                                 |
| FILENAME_MAX                     | Expands to the length of the longest file name in characters                                                                        |
| L_tmpnam                         | Expands to the longest filename string that <code>tmpnam()</code> can generate                                                      |
| SEEK_CUR<br>SEEK_SET<br>SEEK_END | Expand to indicate the position (current, start-of-file, or end-of-file, respectively) in a file                                    |
| TMP_MAX                          | Expands to the maximum number of unique filenames that <code>tmpnam()</code> can generate                                           |
| stderr<br>stdin<br>stdout        | Pointers to the standard error, input, and output files, respectively                                                               |

### 5.2.11 General Utilities (`stdlib.h`)

The `stdlib.h` header declares several functions, one macro, and two types. The macro is named `RAND_MAX`. The types include:

- ❑ `div_t`, a structure type that is the type of the value returned by the `div` function
- ❑ `ldiv_t`, a structure type that is the type of the value returned by the `ldiv` function

The `stdlib.h` header also declares many of the common library functions:

- ❑ **String conversion** functions that convert strings to numeric representations
- ❑ **Searching and sorting** functions that allow you to search and sort arrays
- ❑ **Sequence-generation** functions that allow you to generate a pseudorandom sequence and allow you to choose a starting point for a sequence

- Program-exit functions** that allow your program to terminate normally or abnormally
- Integer-arithmetic** that is not provided as a standard part of the C language

### 5.2.12 String Functions (**string.h**)

The *string.h* header declares standard functions that allow you to perform the following tasks with character arrays (strings):

- Move or copy entire strings or portions of strings
- Concatenate strings
- Compare strings
- Search strings for characters or other strings
- Find the length of a string

In C, all character strings are terminated with a 0 (null) character. The string functions named **strxxx** all operate according to this convention. Additional functions that are also declared in *string.h* allow you to perform corresponding operations on arbitrary sequences of bytes (data objects), where a 0 value does not terminate the object. These functions have names such as **memxxx**.

When you use functions that move or copy strings, be sure that the destination is large enough to contain the result.

### 5.2.13 Time Functions (**time.h**)

The *time* header declares one macro, several types, and functions that manipulate dates and times. Times are represented in two different ways:

- As an arithmetic value of type *time\_t*. When expressed in this way, a time is represented as a number of seconds since 12:00 AM January 1, 1900. The *time\_t* is a synonym for the type unsigned long.
- As a structure of type *struct tm*. This structure contains members for expressing time as a combination of years, months, days, hours, minutes, and seconds. A time represented like this is called broken-down time. The structure has the following members.

```
int tm_sec; /* seconds after the minute (0-59) */
int tm_min; /* minutes after the hour (0-59) */
int tm_hour; /* hours after midnight (0-23) */
int tm_mday; /* day of the month (1-31) */
int tm_mon; /* months since January (0-11) */
int tm_year; /* years since 1900 (0-99) */
int tm_wday; /* days since Saturday (0-6) */
int tm_yday; /* days since January 1 (0-365) */
int tm_isdst; /* Daylight Savings Time flag */
```

A time, whether represented as a `time_t` or a `struct tm`, can be expressed from different points of reference.

- Calendar time represents the current Gregorian date and time.
- Local time is the calendar time expressed for a specific time zone.

Local time may be adjusted for daylight savings time. Obviously, local time depends on the time zone. The `time.h` header declares a structure type called `tmzone` and a variable of this type called `_tz`. You can change the time zone by modifying this structure, either at runtime or by editing `tmzone.c` and changing the initialization. The default time zone is U.S. central standard time.

The basis for all the functions in `time.h` are two system functions: `clock` and `time`. `time` provides the current time (in `time_t` format), and `clock` provides the system time (in arbitrary units). The value returned by `clock` can be divided by the macro `CLOCKS_PER_SEC` to convert it to seconds. Since these functions and the `CLOCKS_PER_SEC` macro are system specific, only stubs are provided in the library. To use the other time functions, you must supply custom versions of these functions.

### 5.3 Summary of Runtime-Support Functions and Macros

Refer to the following pages for information about functions and macros:

| <b>Function or Macro</b>                     | <b>Page</b> |
|----------------------------------------------|-------------|
| Error Message Macro .....                    | 5-14        |
| Character-Typing Conversion Functions .....  | 5-14        |
| Floating-Point Math Functions .....          | 5-14        |
| Variable-Argument Functions and Macros ..... | 5-15        |
| General Utilities .....                      | 5-17        |
| String Functions .....                       | 5-19        |
| Setjmp Function and Longjmp Macro .....      | 5-20        |
| Time Functions .....                         | 5-19        |

| Error Message Macro (assert.h)                  |                                     | Description                                                                                                             |
|-------------------------------------------------|-------------------------------------|-------------------------------------------------------------------------------------------------------------------------|
| void                                            | <b>assert</b> (int expression); †‡  | Inserts diagnostic messages into programs                                                                               |
| Character-Typing Conversion Functions (ctype.h) |                                     | Description                                                                                                             |
| int                                             | <b>isalnum</b> (char c); †          | Tests c to see if it's an alphanumeric ASCII character                                                                  |
| int                                             | <b>isalpha</b> (char c); †          | Tests c to see if it's an alphabetic ASCII character                                                                    |
| int                                             | <b>isascii</b> (char c); †          | Tests c to see if it's an ASCII character                                                                               |
| int                                             | <b>iscntrl</b> (char c); †          | Tests c to see if it's a control character                                                                              |
| int                                             | <b>isdigit</b> (char c); †          | Tests c to see if it's a numeric character                                                                              |
| int                                             | <b>isgraph</b> (char c); †          | Tests c to see if it's any printing character except a space                                                            |
| int                                             | <b>islower</b> (char c); †          | Tests c to see if it's a lowercase alphabetic ASCII character                                                           |
| int                                             | <b>isprint</b> (char c); †          | Tests c to see if it's a printable ASCII character (including spaces)                                                   |
| int                                             | <b>ispunct</b> (char c); †          | Tests c to see if it's an ASCII punctuation character                                                                   |
| int                                             | <b>isspace</b> (char c); †          | Tests c to see if it's an ASCII spacebar, tab (horizontal or vertical), carriage return, formfeed, or newline character |
| int                                             | <b>isupper</b> (char c); †          | Tests c to see if it's an uppercase ASCII alphabetic character                                                          |
| int                                             | <b>isxdigit</b> (char c); †         | Tests c to see if it's a hexadecimal digit                                                                              |
| char                                            | <b>toascii</b> (char c); †          | Masks c into a legal ASCII value                                                                                        |
| char                                            | <b>tolower</b> (int char c); †      | Converts c to lowercase if it's uppercase                                                                               |
| char                                            | <b>toupper</b> (int char c); †      | Converts c to uppercase if it's lowercase                                                                               |
| Floating-Point Math Functions (math.h)          |                                     | Description                                                                                                             |
| double                                          | <b>acos</b> (double x);             | Returns the arccosine of x                                                                                              |
| double                                          | <b>asin</b> (double x);             | Returns the arcsine of x                                                                                                |
| double                                          | <b>atan</b> (double x);             | Returns the arctangent of x                                                                                             |
| double                                          | <b>atan2</b> (double y, double x);  | Returns the arctangent of y/x                                                                                           |
| double                                          | <b>ceil</b> (double x); †           | Returns the smallest integer greater than or equal to x                                                                 |
| double                                          | <b>cos</b> (double x);              | Returns the cosine of x                                                                                                 |
| double                                          | <b>cosh</b> (double x);             | Returns the hyperbolic cosine of x                                                                                      |
| double                                          | <b>exp</b> (double x);              | Returns the exponential function of x                                                                                   |
| double                                          | <b>fabs</b> (double x); §           | Returns the absolute value of x                                                                                         |
| double                                          | <b>floor</b> (double x); †          | Returns the largest integer less than or equal to x                                                                     |
| double                                          | <b>fmod</b> (double x, double y); † | Returns the floating-point remainder of x/y                                                                             |
| †                                               | Expands inline if -x is used        |                                                                                                                         |
| ‡                                               | Macro                               |                                                                                                                         |
| §                                               | Expands inline unless -x0 is used   |                                                                                                                         |



| Floating-Point Math Functions<br>(continued)         |                                                                  | Description                                                                                                                |
|------------------------------------------------------|------------------------------------------------------------------|----------------------------------------------------------------------------------------------------------------------------|
| double                                               | <b>frexp</b> (double value, int *exp);                           | Breaks value into a normalized fraction and an integer power of 2                                                          |
| double                                               | <b>ldexp</b> (double x, int exp);                                | Multiplies x by an integer power of 2                                                                                      |
| double                                               | <b>log</b> (double x);                                           | Returns the natural logarithm of x                                                                                         |
| double                                               | <b>log10</b> (double x);                                         | Returns the base-10 logarithm of x                                                                                         |
| double                                               | <b>modf</b> (double value, int *iptr);                           | Breaks value into a signed integer and a signed fraction                                                                   |
| double                                               | <b>pow</b> (double x, double y);                                 | Returns x raised to the power y                                                                                            |
| double                                               | <b>sin</b> (double x);                                           | Returns the sine of x                                                                                                      |
| double                                               | <b>sinh</b> (double x);                                          | Returns the hyperbolic sine of x                                                                                           |
| double                                               | <b>sqrt</b> (double x);                                          | Returns the nonnegative square root of x                                                                                   |
| double                                               | <b>tan</b> (double x);                                           | Returns the tangent of x                                                                                                   |
| double                                               | <b>tanh</b> (double x);                                          | Returns the hyperbolic tangent of x                                                                                        |
| Variable-Argument Functions and<br>Macros (stdarg.h) |                                                                  | Description                                                                                                                |
| type                                                 | <b>va_arg</b> (va_list ap); <sup>†</sup>                         | Accesses the next argument of type <i>type</i> in a variable-argument list                                                 |
| void                                                 | <b>va_end</b> (va_list ap); <sup>‡</sup>                         | Resets the calling mechanism after using va_arg                                                                            |
| void                                                 | <b>va_start</b> (va_list ap); <sup>‡</sup>                       | Initializes ap to point to the first operand in the variable-argument list                                                 |
| I/O Functions (stdio.h)                              |                                                                  | Description                                                                                                                |
| void                                                 | <b>clearerr</b> (FILE *p);                                       | Clears the EOF and error indicators for the stream that p points to                                                        |
| int                                                  | <b>fclose</b> (FILE *iop);                                       | Flushes the stream that iop points to and closes the file associated with that stream                                      |
| int                                                  | <b>feof</b> (FILE *p);                                           | Tests the EOF indicator for the stream that p points to                                                                    |
| int                                                  | <b>ferror</b> (FILE *p);                                         | Tests the error indicator for the stream that p points to                                                                  |
| int                                                  | <b>fflush</b> (register FILE *iop);                              | Flushes the I/O buffer for the stream that iop points to                                                                   |
| int                                                  | <b>fgetc</b> (register FILE *fp);                                | Reads the next character in the stream that fp points to                                                                   |
| int                                                  | <b>fgetpos</b> (FILE *iop, fpos_t *pos);                         | Stores the object that pos points to to the current value of the file position indicator for the stream that iop points to |
| char *                                               | <b>fgets</b> (char *ptr, register int size, register FILE *iop); | Reads the next size minus 1 character from the stream that iop points to into array ptr                                    |
| FILE *                                               | <b>fopen</b> (const char *file, const char *mode);               | Opens the file that file points to; mode points to a string describing how to open the file                                |

- † Expands inline if `-x` is used
- ‡ Macro
- § Expands inline unless `-x0` is used

| I/O Functions (continued)                                                                             | Description                                                                                                                               |
|-------------------------------------------------------------------------------------------------------|-------------------------------------------------------------------------------------------------------------------------------------------|
| int <b>fprintf</b> (FILE *iop, const char *format, ...);                                              | Writes to the stream that iop points to                                                                                                   |
| int <b>fputc</b> (int c, register FILE *fp);                                                          | Writes a single character, c, to the stream that fp points to                                                                             |
| int <b>fputs</b> (const char *ptr, register FILE *iop);                                               | Writes the string pointed to by ptr; points to the stream pointed to by iop                                                               |
| size_t <b>fread</b> (void *ptr, size_t size, size_t count, FILE *iop);                                | Reads from the stream pointed to by iop and stores the input to the array pointed to by ptr                                               |
| FILE * <b>freopen</b> (const char *file, const char *mode, register FILE *iop);                       | Opens the file that file points to using the stream that iop points to; mode points to a string describing how to open the file           |
| int <b>fscanf</b> (FILE *iop, const char *fmt, ...);                                                  | Reads from the stream pointed to by iop                                                                                                   |
| int <b>fseek</b> (register FILE *iop, long offset, int ptrname);                                      | Sets the file position indicator for the stream pointed to by iop                                                                         |
| int <b>fsetpos</b> (FILE *iop, const fpos_t *pos);                                                    | Sets the file position indicator for the stream that iop points to pos; the pointer pos must be a value from fgetpos() on the same stream |
| long <b>ftell</b> (FILE *iop);                                                                        | Obtains the current value of the file position indicator for the stream that iop points to                                                |
| size_t <b>fwrite</b> (const void *ptr, size_t size, size_t count, register FILE *iop);                | Writes a block of data from the memory pointed to by ptr to the stream that iop points to                                                 |
| int <b>getc</b> (FILE *p);                                                                            | A macro that calls fgetc()                                                                                                                |
| int <b>getchar</b> (void);                                                                            | A macro that calls fgetc() and supplies stdin as the argument                                                                             |
| void <b> perror</b> (const char *s);                                                                  | Maps the error number in s to a string and prints the error message                                                                       |
| int <b>printf</b> (const char *format, ...);                                                          | Performs the same function as fprintf but uses stdout as its output stream                                                                |
| int <b>putc</b> (int x, FILE *p);                                                                     | A macro that performs like fputc()                                                                                                        |
| int <b>putchar</b> (int x);                                                                           | Writes a character to the standard output device                                                                                          |
| int <b>puts</b> (const char *ptr);                                                                    | Writes a string (pointed to by ptr) to the standard output device                                                                         |
| int <b>remove</b> (const char *file);                                                                 | Makes the file pointed to by file no longer available by that name                                                                        |
| int <b>rename</b> (const char *old, const char *new);                                                 | Renames the file pointed to by old to the name pointed to by new                                                                          |
| void <b>rewind</b> (register FILE *iop);                                                              | Sets the file position indicator for a stream to the beginning of the file pointed to by iop                                              |
| int <b>scanf</b> (const char *format, ...);                                                           | Reads the stream from the standard input device                                                                                           |
| void <b>setbuf</b> (register FILE *iop, char *buf);                                                   | Specifies the buffer used by the stream pointed to by iop                                                                                 |
| int <b>setvbuf</b> (register FILE *iop, register char *buf, register int type, register size_t size); | Defines and associates a buffer with a stream                                                                                             |

| I/O Functions (continued)                  |                                                                                             | Description                                                                                            |
|--------------------------------------------|---------------------------------------------------------------------------------------------|--------------------------------------------------------------------------------------------------------|
| int                                        | <b>sprintf</b> (char *string,<br>const char *format, ...);                                  | Writes to the array pointed to by string                                                               |
| int                                        | <b>sscanf</b> (const char *str,<br>const char *format, ...);                                | Reads from the string pointed to by str                                                                |
| FILE                                       | <b>*tmpfile</b> (void);                                                                     | Creates a temporary file                                                                               |
| char                                       | <b>*tmpnam</b> (char *s);                                                                   | Generates a string that is a valid filename                                                            |
| int                                        | <b>ungetc</b> (int c, FILE *p);                                                             | Writes the character c to a stream pointed to by p                                                     |
| int                                        | <b>vfprintf</b> (FILE *iop, const char *format,<br>va_list ap);                             | Writes to the stream pointed to by iop.                                                                |
| int                                        | <b>vprintf</b> (const char *format, va_list ap);                                            | Writes to the standard output device                                                                   |
| int                                        | <b>vsprintf</b> (char *string, const char *format,<br>va_list ap);                          | Writes to the array pointed to by string                                                               |
| General Utilities( <code>stdlib.h</code> ) |                                                                                             | Description                                                                                            |
| int                                        | <b>abs</b> (int j);§                                                                        | Returns the absolute value of j                                                                        |
| void                                       | <b>abort</b> (void)                                                                         | Terminates a program abnormally                                                                        |
| void                                       | <b>atexit</b> (void (*fun)(void));                                                          | Registers the function pointed to by fun, to be called without arguments at normal program termination |
| double                                     | <b>atof</b> (char *nptr);                                                                   | Converts a string to a floating-point value                                                            |
| int                                        | <b>atoi</b> (char *nptr);                                                                   | Converts a string to an integer value                                                                  |
| long                                       | <b>atol</b> (char *nptr);                                                                   | Converts a string to a long integer value                                                              |
| void                                       | <b>*bmalloc</b> (size_t _size);                                                             | Allocate memory on a boundary                                                                          |
| void                                       | <b>*bmalloc8</b> (size_t _size);                                                            | – 8-bit version (TMS320C32 only)                                                                       |
| void                                       | <b>*bmalloc16</b> (size_t _size);                                                           | – 16-bit version (TMS32C32 only)                                                                       |
| void                                       | <b>*bsearch</b> (void *key, void *base,<br>size_t n, size_t size,<br>int (*compar) (void)); | Searches through an array of n objects for the object that key points to                               |
| void                                       | <b>*calloc</b> (size_t n, size_t size);                                                     | Allocates and clears memory for n objects, each of size bytes;                                         |
| void                                       | <b>*calloc8</b> (size_t _num,<br>size_t _size);                                             | – 8-bit version (TMS320C32 only)                                                                       |
| void                                       | <b>*calloc16</b> (size_t _num,<br>size_t _size);                                            | – 16-bit version (TMS320C32 only)                                                                      |
| div_t                                      | <b>div</b> (int numer, int denom);                                                          | Divides numer by denom producing a quotient and a remainder                                            |
| †                                          | Expands inline if –x is used                                                                |                                                                                                        |
| ‡                                          | Macro                                                                                       |                                                                                                        |
| §                                          | Expands inline unless –x0 is used                                                           |                                                                                                        |

| General Utilities (continued) |                                                                           | Description                                                                                                                |
|-------------------------------|---------------------------------------------------------------------------|----------------------------------------------------------------------------------------------------------------------------|
| void                          | <b>exit</b> (int status);                                                 | Terminates a program normally                                                                                              |
| void                          | <b>free</b> (void *ptr);                                                  | Deallocates memory space allocated by malloc, calloc, or realloc                                                           |
| void                          | <b>free8</b> (void *_prt);                                                | – 8-bit version (TMS320C32 only)                                                                                           |
| void                          | <b>free16</b> (void *_prt);                                               | – 16-bit version (TMS320C32 only)                                                                                          |
| long                          | <b>labs</b> (long j);§                                                    | Returns the absolute value of j                                                                                            |
| ldiv_t                        | <b>ldiv</b> (long numer, long denom);                                     | Divides numer by denom producing a quotient and a remainder                                                                |
| int                           | <b>ltoa</b> (long n, char *buffer);                                       | Converts n to the equivalent digit string                                                                                  |
| void                          | <b>*malloc</b> (size_t size);                                             | Allocates memory for an object of size bytes                                                                               |
| void                          | <b>*malloc8</b> (size_t _size);                                           | – 8-bit version (TMS320C32 only)                                                                                           |
| void                          | <b>*malloc16</b> (size_t _size);                                          | – 16-bit version (TMS320C32 only)                                                                                          |
| void                          | <b>minit</b> (void);                                                      | Resets all the memory previously allocated by malloc, calloc, or realloc                                                   |
| void                          | <b>minit8</b> (void);                                                     | – 8-bit version (TMS320C32 only)                                                                                           |
| void                          | <b>minit16</b> (void);                                                    | – 16-bit version (TMS320C32 only)                                                                                          |
| void                          | <b>qsort</b> (void *base, size_t n, size_t _size, int (*_compar) (void)); | Sorts an array of n members; base points to the first member of the unsorted array, and size specifies the size of members |
| int                           | <b>rand</b> (void);                                                       | Returns a sequence of pseudorandom integers in the range 0 to RAND_MAX                                                     |
| void                          | <b>*realloc</b> (void *ptr, size_t size);                                 | Changes the size of memory pointed to by ptr to size bytes                                                                 |
| void                          | <b>*realloc8</b> (void *_ptr, size_t _size);                              | – 8-bit version (TMS320C32 only)                                                                                           |
| void                          | <b>*realloc16</b> (void *_ptr, size_t _size);                             | –16-bit version (TMS320C32 only)                                                                                           |
| void                          | <b>srand</b> (unsigned seed);                                             | Resets the random number generator                                                                                         |
| double                        | <b>strtod</b> (char *nptr, char **endptr);                                | Converts a string to a floating-point value                                                                                |
| long                          | <b>strtol</b> (char *nptr, char **endptr, int base);                      | Converts a string to a long integer value                                                                                  |
| unsigned long                 | <b>strtoul</b> (char *nptr, char **endptr, int base);                     | Converts a string to an unsigned long integer value                                                                        |
| int                           | <b>ti_sprintf</b> (char *s, const char *format);                          | Supports conversion functions required by time()                                                                           |
| †                             | Expands inline if –x is used                                              |                                                                                                                            |
| ‡                             | Macro                                                                     |                                                                                                                            |
| §                             | Expands inline unless –x0 is used                                         |                                                                                                                            |

| String Functions( <code>string.h</code> ) |                                                       | Description                                                                                                                                                                                                                                       |
|-------------------------------------------|-------------------------------------------------------|---------------------------------------------------------------------------------------------------------------------------------------------------------------------------------------------------------------------------------------------------|
| void                                      | <code>*memchr(void *s, int c, size_t n);</code> †     | Finds the first occurrence of <code>c</code> in the first <code>n</code> characters of <code>s</code>                                                                                                                                             |
| int                                       | <code>memcmp(void *s1, void *s2, size_t n);</code> †  | Compares the first <code>n</code> characters of <code>s1</code> to <code>s2</code>                                                                                                                                                                |
| void                                      | <code>*memcpy(void *s1, void *s2, size_t n);</code> † | Copies <code>n</code> characters from <code>s1</code> to <code>s2</code>                                                                                                                                                                          |
| void                                      | <code>*memmove(void *s1, void *s2, size_t n);</code>  | Moves <code>n</code> characters from <code>s1</code> to <code>s2</code>                                                                                                                                                                           |
| void                                      | <code>*memset(void *s, int c, size_t n);</code> †     | Copies the value of <code>c</code> into the first <code>n</code> characters of <code>s</code>                                                                                                                                                     |
| char                                      | <code>*strcat(char *s1, char *s2);</code> †           | Appends <code>s2</code> to the end of <code>s1</code>                                                                                                                                                                                             |
| char                                      | <code>* strchr(char *s, int c);</code> †              | Finds the first occurrence of character <code>c</code> in <code>s</code>                                                                                                                                                                          |
| int                                       | <code>strcmp(char *s1, char *s2);</code> †            | Compares strings and returns one of the following values: <0 if <code>s1</code> is less than <code>s2</code> ; =0 if <code>s1</code> is equal to <code>s2</code> ; >0 if <code>s1</code> is > <code>s2</code>                                     |
| int                                       | <code>*strcoll(char *s1, char *s2);</code>            | Compares strings and returns one of the following values, depending on the locale: <0 if <code>s1</code> is less than <code>s2</code> ; =0 if <code>s1</code> is equal to <code>s2</code> ; >0 if <code>s1</code> is greater than <code>s2</code> |
| char                                      | <code>*strcpy(char *s1, char *s2);</code> †           | Copies string <code>s2</code> into <code>s1</code>                                                                                                                                                                                                |
| size_t                                    | <code>strcspn(char *s1, char *s2);</code>             | Returns the length of the initial segment of <code>s1</code> that is made up entirely of characters that are not in <code>s2</code>                                                                                                               |
| char                                      | <code>*strerror(int errnum);</code>                   | Maps the error number in <code>errnum</code> to an error message string                                                                                                                                                                           |
| size_t                                    | <code>strlen(char *s);</code> †                       | Returns the length of a string                                                                                                                                                                                                                    |
| char                                      | <code>*strncat(char *s1, char *s2, size_t n);</code>  | Appends up to <code>n</code> characters from <code>s1</code> to <code>s2</code>                                                                                                                                                                   |
| int                                       | <code>strncmp(char *s1, char *s2, size_t n);</code>   | Compares up to <code>n</code> characters in two strings                                                                                                                                                                                           |
| char                                      | <code>*strncpy(char *s1, char *s2, size_t n);</code>  | Copies up to <code>n</code> characters of <code>s2</code> to <code>s1</code>                                                                                                                                                                      |
| char                                      | <code>*strrchr(char *s, char c);</code> †             | Finds the last occurrence of character <code>c</code> in <code>s</code>                                                                                                                                                                           |
| char                                      | <code>*strpbrk(char *s1, char *s2);</code>            | Locates the first occurrence in <code>s1</code> of <i>any</i> character from <code>s2</code>                                                                                                                                                      |
| size_t                                    | <code>strspn(char *s1, char *s2);</code>              | Returns the length of the initial segment of <code>s1</code> , which is entirely made up of characters from <code>s2</code>                                                                                                                       |
| char                                      | <code>*strstr(char *s1, char *s2);</code>             | Finds the first occurrence of <code>s2</code> in <code>s1</code>                                                                                                                                                                                  |
| char                                      | <code>*strtok(char *s1, char *s2);</code>             | Breaks <code>s1</code> into a series of tokens, each delimited by a character from <code>s2</code>                                                                                                                                                |

† Expands inline if `-x` is used

‡ Macro

§ Expands inline unless `-x0` is used

| <b>Nonlocal Jumps (setjmp.h)</b> |                                                                         | <b>Description</b>                                              |
|----------------------------------|-------------------------------------------------------------------------|-----------------------------------------------------------------|
| int                              | <b>setjmp</b> (jmp_buf env);‡                                           | Saves calling environment for later use by longjmp function     |
| void                             | <b>longjmp</b> (jmp_buf env, int returnval);                            | Uses jmp_buf argument to restore a previously saved environment |
| char                             | <b>*asctime</b> (struct tm *timeptr);                                   | Converts a time to a string                                     |
| <b>Time Functions (time.h)</b>   |                                                                         | <b>Description</b>                                              |
| clock_t                          | <b>clock</b> (void);                                                    | Determines the processor time used                              |
| char                             | <b>*ctime</b> (struct time *timeptr);                                   | Converts time to a string                                       |
| double<br>time0);                | <b>difftime</b> (time_t time1, time_t time0);                           | Returns the difference between two calendar times               |
| struct tm                        | <b>*gmtime</b> (time_t *timer);                                         | Converts local time to Greenwich Mean Time                      |
| struct tm                        | <b>*localtime</b> (time_t *timer);                                      | Converts time_t value to broken down time                       |
| time_t                           | <b>mktime</b> (struct tm *timeptr);                                     | Converts broken down time to a time_t value                     |
| size_t                           | <b>strftime</b> (char *s, *format, size_t maxsize, struct tm *timeptr); | Formats a time into a character string                          |
| time_t                           | <b>time</b> (time_t *timer);                                            | Returns the current calendar time                               |
| †                                | Expands inline if -x is used                                            |                                                                 |
| ‡                                | Macro                                                                   |                                                                 |
| §                                | Expands inline unless -x0 is used                                       |                                                                 |

## 5.4 Functions Reference

This section contains an alphabetical list of the functions and macros declared in the header files. The following table lists the functions and macros and directs you to the detailed description of the function or macro:

| <b>Function<br/>or Macro</b> | <b>Page</b> | <b>Function<br/>or Macro</b> | <b>Page</b> | <b>Function<br/>or Macro</b> | <b>Page</b> | <b>Function<br/>or Macro</b> | <b>Page</b> |
|------------------------------|-------------|------------------------------|-------------|------------------------------|-------------|------------------------------|-------------|
| abort                        | 5-22        | floor                        | 5-39        | memcmp                       | 5-49        | strchr                       | 5-64        |
| abs                          | 5-22        | fmod                         | 5-39        | memcpy                       | 5-49        | strcmp/strcoll               | 5-64        |
| acos                         | 5-22        | fopen                        | 5-39        | memmove                      | 5-50        | strcpy                       | 5-65        |
| add_device                   | 5-23        | fprintf                      | 5-40        | memset                       | 5-50        | strcspn                      | 5-65        |
| asctime                      | 5-25        | fputc                        | 5-40        | minit                        | 5-51        | strerror                     | 5-66        |
| asin                         | 5-25        | fputs                        | 5-40        | mktime                       | 5-52        | strftime                     | 5-66        |
| assert                       | 5-26        | fread                        | 5-40        | modf                         | 5-53        | strlen                       | 5-67        |
| atan                         | 5-27        | free                         | 5-41        | perror                       | 5-53        | strncat                      | 5-68        |
| atan2                        | 5-27        | freopen                      | 5-41        | pow                          | 5-54        | strncmp                      | 5-69        |
| atexit                       | 5-27        | frexp                        | 5-42        | printf                       | 5-54        | strncpy                      | 5-70        |
| atof/atol/atol               | 5-28        | fscanf                       | 5-42        | putc                         | 5-54        | strpbrk                      | 5-71        |
| bsearch                      | 5-30        | fseek                        | 5-42        | putchar                      | 5-55        | strchr                       | 5-64        |
| calloc                       | 5-31        | fsetpos                      | 5-43        | puts                         | 5-55        | strspn                       | 5-72        |
| ceil                         | 5-32        | ftell                        | 5-43        | printf                       | 5-54        | strstr                       | 5-72        |
| clearerr                     | 5-32        | fwrite                       | 5-43        | qsort                        | 5-56        | strtod                       | 5-73        |
| clock                        | 5-33        | getc                         | 5-43        | rand                         | 5-57        | strtok                       | 5-74        |
| cos                          | 5-33        | getchar                      | 5-44        | realloc                      | 5-57        | strtol/strtoul               | 5-73        |
| cosh                         | 5-34        | getenv                       | 5-44        | remove                       | 5-58        | strxfrm                      | 5-74        |
| ctime                        | 5-34        | gets                         | 5-44        | rename                       | 5-58        | tan                          | 5-75        |
| difftime                     | 5-34        | gmtime                       | 5-44        | rewind                       | 5-59        | tanh                         | 5-75        |
| div                          | 5-35        | isxxx                        | 5-45        | scanf                        | 5-59        | time                         | 5-76        |
| exit                         | 5-36        | labs                         | 5-22        | setbuf                       | 5-59        | tmpfile                      | 5-76        |
| exp                          | 5-36        | ldexp                        | 5-46        | setjmp                       | 5-60        | tmpnam                       | 5-76        |
| fabs                         | 5-36        | ldiv                         | 5-35        | setvbuf                      | 5-61        | toascii                      | 5-76        |
| fclose                       | 5-37        | localtime                    | 5-46        | sin                          | 5-61        | tolower/toupper              | 5-77        |
| feof                         | 5-37        | log                          | 5-46        | sinh                         | 5-62        | ungetc                       | 5-77        |
| ferror                       | 5-37        | log10                        | 5-47        | sprintf                      | 5-62        | va_arg/va_end/<br>va_start   | 5-78        |
| fflush                       | 5-37        | longjmp                      | 5-60        | sqrt                         | 5-62        | vfprintf                     | 5-79        |
| fgetc                        | 5-38        | itoa                         | 5-47        | srand                        | 5-57        | vprintf                      | 5-79        |
| fgetpos                      | 5-38        | malloc                       | 5-48        | sscanf                       | 5-63        | vsprintf                     | 5-79        |
| fgets                        | 5-38        | memchr                       | 5-49        | strcat                       | 5-63        |                              |             |

## **abort**

### *Abort*

---

#### **Syntax**

```
#include <stdlib.h>
```

```
void abort(void);
```

#### **Defined in**

exit.c in rts.src

#### **Description**

The **abort** function usually terminates a program with an error code. The TMS320C3x/C4x implementation of the abort function calls the exit function with a value of 0, and is defined as follows:

```
void abort ()
{
 exit(0);
}
```

This makes the abort function equivalent to the exit function.

## **abs/labs**

### *Absolute Value*

---

#### **Syntax**

```
#include <stdlib.h>
```

```
int abs(int j);
```

```
long int labs(long int k);
```

#### **Defined in**

abs.c in rts.src

#### **Description**

The C compiler supports two functions that return the absolute value of an integer:

- The **abs** function returns the absolute value of an integer j.
- The **labs** function returns the absolute value of a long integer k.

Since int and long int are functionally equivalent types in TMS320C3x/C4x C, the abs and labs functions are also functionally equivalent. The abs and labs functions are expanded inline unless the `-x0` option is used.

#### **Example**

```
int x = -5;
int y = abs (x); /* abs returns 5 */
```

## **acos**

### *Arc Cosine*

---

#### **Syntax**

```
#include <math.h>
```

```
double acos(double x);
```

#### **Defined in**

acos.c in rts.src

#### **Description**

The **acos** function returns the arc cosine of a floating-point argument x. x must be in the range  $[-1, 1]$ . The return value is an angle in the range  $[0, \pi]$  radians.

#### **Example**

```
double realval, radians;
realval = 0.0;
radians = acos(realval); /* acos return $\pi/2$ */
return (radians);
```



**add\_device***Add Device to Device Table*

---

**Syntax**

```
#include <stdio.h>
```

```
int add_device(char *name,
 unsigned flags,
 int (*dopen)(),
 int (*dclose)(),
 int (*dread)(),
 int (*dwrite)(),
 int (*dlseek)(),
 int (*dunlink)(),
 int (*drename)());
```

**Defined in**

lowlev.c in rts.src

**Description**

Adds a device record to the device table, allowing that device to be used for input/output from C. The first entry in the device table is predefined to be the host device on which the debugger is running. The function, `add_device()`, finds the first empty position in the device table and initializes the fields of the structure that represent a device.

To open a stream on a newly-added device, use `fopen()` with a string of the format *devicename:filename* as the first argument.

**Parameters**

|                                                        |                                                                                                                                                                                                                                                                                                                                                                                |
|--------------------------------------------------------|--------------------------------------------------------------------------------------------------------------------------------------------------------------------------------------------------------------------------------------------------------------------------------------------------------------------------------------------------------------------------------|
| name                                                   | Character string denoting the device name                                                                                                                                                                                                                                                                                                                                      |
| flags                                                  | Device characteristics. The flags denote the following:<br><br><b>_SSA</b> The device supports only one open stream at a time<br><br><b>_MSA</b> The device supports multiple open streams<br><br>More flags can be added by defining them in <code>stdio.h</code> .                                                                                                           |
| dopen, dclose, dread, dwrite, dlseek, dunlink, drename | Function pointers to the device drivers are called by the low-level functions to perform I/O on the specified device. You must declare these functions with the interface specified in subsection B.2, <i>Overview of Low-Level I/O Implementation</i> , on page B-3. The device drivers for the host that the 'C3x/'C4x debugger is run on are included in the C I/O library. |

**Return Value**

0 if successful  
-1 if it fails

**Example**

This example does the following:

- Adds the device *mydevice* to the device table
- Opens a file named *test* on that device and associate it with the file *\*fid*
- Writes the string *Hello, world* into the file
- Closes the file

```
#include <stdio.h>

/*****
/* Declarations of the user-defined device drivers */
*****/
extern int my_open(char *path, unsigned flags, int fno);
extern int my_close(int fno);
extern int my_read(int fno, char *buffer, unsigned count);
extern int my_write(int fno, char *buffer, unsigned count);
extern int my_lseek(int fno, long offset, int origin);
extern int my_unlink(char *path);
extern int my_rename(char *old_name, char *new_name);

main()
{
 FILE *fid;
 add_device("mydevice", _MSA, my_open, my_close, my_read, my_write, my_lseek,
 my_unlink, my_rename);

 fid = fopen("mydevice:test", "w");

 fprintf(fid, "Hello, world\n");

 fclose(fid);
}
```

**asctime** *Internal Time to String*

---

**Syntax**

```
#include <time.h>
```

```
char *asctime(struct tm *timeptr);
```

**Defined in**

asctime.c in rts.src

**Description**

The **asctime** function converts a broken-down time into a string with the following form:

```
Mon Jan 11 11:18:36 1988 \n\n0
```

The function returns a pointer to the converted string.

For more information about the functions and types that the time.h header declares, refer to subsection 5.2.13, page 5-11.

**asin** *Arc Sine*

---

**Syntax**

```
#include <math.h>
```

```
double asin(double x);
```

**Defined in**

asin.c in rts.src

**Description**

The **asin** function returns the arc sine of a floating-point argument *x*. *x* must be in the range  $[-1,1]$ . The return value is an angle in the range  $[-\pi/2, \pi/2]$  radians.

**Example**

```
double realval, radians;
```

```
realval = 1.0;
```

```
radians = asin(realval); /* asin returns $\pi/2$ */
```

**assert**

*Insert Diagnostic Information Macro*

---

**Syntax**

```
#include <assert.h>
```

```
void assert(int expression);
```

**Defined in**

assert.h as a macro

**Description**

The **assert** macro tests an expression; depending upon the value of the expression, assert either aborts execution and issues a message or continues execution. This macro is useful for debugging.

- If expression is false, the assert macro writes information about the particular call that failed to the standard output, and then aborts execution.
- If expression is true, the assert macro does nothing.

The header file that declares the assert macro refers to another macro, NDEBUG. If you have defined NDEBUG as a macro name when the assert.h header is included in the source file, then the assert macro is defined to have no effect.

If NDEBUG is not defined when assert.h is included, the assert macro is defined to test the expression and, if false, write a diagnostic message including the source filename, line number, and test of expression.

The assert macro is defined with the printf function, which is not included in the library. To use assert, you must either:

- Provide your own version of printf, or
- Modify assert to output the message by other means

**Example**

In this example, an integer *i* is divided by another integer *j*. Since dividing by 0 is an illegal operation, the example uses the assert macro to test *j* before the division. If *j* = 0 when this code runs, a message such as:

```
Assertion failed (j), file foo.c, line 123
```

is sent to standard output.

```
int i, j;
assert(j);
q = i/j;
```

**atan** *Polar Arc Tangent*


---

|                    |                                                                                                                                                       |
|--------------------|-------------------------------------------------------------------------------------------------------------------------------------------------------|
| <b>Syntax</b>      | <code>#include &lt;math.h&gt;</code><br><br><b>double atan</b> (double x);                                                                            |
| <b>Defined in</b>  | atan.c in rts.src                                                                                                                                     |
| <b>Description</b> | The <b>atan</b> function returns the arc tangent of a floating-point argument x. The return value is an angle in the range $[-\pi/2, \pi/2]$ radians. |
| <b>Example</b>     | <pre>double realval, radians;  realval = 1.0; <b>radians = atan(realval);</b>      /* return value = <math>\pi/4</math>*/</pre>                       |

**atan2** *Cartesian Arc Tangent*


---

|                    |                                                                                                                                                                                                                                                                  |
|--------------------|------------------------------------------------------------------------------------------------------------------------------------------------------------------------------------------------------------------------------------------------------------------|
| <b>Syntax</b>      | <code>#include &lt;math.h&gt;</code><br><br><b>double atan2</b> (double y, x);                                                                                                                                                                                   |
| <b>Defined in</b>  | atan.c in rts.src                                                                                                                                                                                                                                                |
| <b>Description</b> | The <b>atan2</b> function returns the arc tangent of $y/x$ . The function uses the signs of the arguments to determine the quadrant of the return value. Both arguments cannot be 0. The return value is an angle in the range $[-\pi, \pi]$ radians.            |
| <b>Example</b>     | <pre><b>atan2</b> (1.0, 1.0)      /* returns <math>\pi/4</math> */ <b>atan2</b> (1.0, -1.0)   /* returns <math>3\pi/4</math> */ <b>atan2</b> (-1.0, 1.0)  /* returns <math>\pm\pi/4</math> */ <b>atan2</b> (-1.0, -1.0) /* returns <math>-3\pi/4</math> */</pre> |

**atexit** *Exit Without Arguments*


---

|                    |                                                                                                                                                                                                                                                                                                                                                                                                                    |
|--------------------|--------------------------------------------------------------------------------------------------------------------------------------------------------------------------------------------------------------------------------------------------------------------------------------------------------------------------------------------------------------------------------------------------------------------|
| <b>Syntax</b>      | <code>#include &lt;stdlib.h&gt;</code><br><br><b>void atexit</b> (void (*fun)(void));                                                                                                                                                                                                                                                                                                                              |
| <b>Defined in</b>  | exit.c in rts.src                                                                                                                                                                                                                                                                                                                                                                                                  |
| <b>Description</b> | The <b>atexit</b> function registers the function that is pointed to by fun, to be called without arguments at normal program termination. Up to 32 functions can be registered.<br><br>When the program exits through a call to the exit function, a call to abort, or a return from the main function, the functions that were registered are called, without arguments, in reverse order of their registration. |

## atof/atoi/atol

### Convert ASCII to Number

---

#### Syntax

```
#include <stdlib.h>
```

```
double atof(char *nptr);
int atoi(char *nptr);
long int atol(char *nptr);
```

#### Defined in

atof.c and atoi.c in rts.src

#### Description

Three functions convert strings to numeric representations:

- ❑ The **atof** function converts a string into a floating-point value. Argument *nptr* points to the string; the string must have the following format:

*[space] [sign] digits [.digits] [e/E [sign] integer]*

- ❑ The **atoi** function converts a string into an integer. Argument *nptr* points to the string; the string must have the following format:

*[space] [sign] digits*

- ❑ The **atol** function converts a string into a long integer. Argument *nptr* points to the string; the string must have the following format:

*[space] [sign] digits*

The *space* is indicated by one or more of the following characters: a space (character), a horizontal or vertical tab, a carriage return, a form feed, or a newline. Following the *space* is an optional *sign*, and then *digits* that represent the integer portion of the number. The fractional part of the number follows, then the exponent, including an optional *sign*.

The first character that cannot be part of the number terminates the string.

Since `int` and `long` are functionally equivalent in TMS320C3x/C4x C, the `atoi` and `atol` functions are also functionally equivalent.

The functions do not handle any overflow resulting from the conversion.

#### Example

```
int i;
double d;
i = atoi ("-3291"); /* i = -3291 */
d = atof ("1.23e-2"); /* d = .0123 */
```

**bmalloc***Allocate Memory on a Boundary*

---

**Syntax**

```
#include <stdlib.h>
```

```
void *bmalloc(size_t _size);
void *bmalloc8(size_t _size);
void *bmalloc16(size_t _size);
```

**Defined in**

memory.c in rts.src

**Description**

The **bmalloc** function allocates space for an object of size bytes and returns a pointer to the space. The packet of the given size is aligned on a boundary suitable for TMS320C3x and TMS320C4x circular buffers and bit-reversed address buffers. See the *TMS320C3x User's Guide* for information on circular buffers and bit-reversed addressing.

The memory that **bmalloc** uses is in a special memory pool or heap, defined in an uninitialized named section called `.system` in `memory.c`. The linker sets the size of this section from the value specified by the `-heap` option. Default heap size is 1K words.

For the TMS320C32 processor, 8-bit and 16-bit versions of the **bmalloc** function are provided. The functions `bmalloc8` and `bmalloc16` are analogous to `bmalloc`; however, memory is allocated from the uninitialized sections `.sysm8` and `.sysm16`, respectively. The linker creates a `.sysm8` or `.sysm16` section when a size is specified using the `-heap8` or `-heap16` option. It will create a section of the default size (1K of 8-bit or 16-bit words) when the `bmalloc8` and `bmalloc16` functions are used and the `-heap8` and `-heap16` options are not.

For more information, refer to subsection 4.1.3, *Dynamic Memory Allocation*, on page 4-4.

**bsearch***Array Search*

---

**Syntax**

```
#include <stdlib.h>
```

```
void *bsearch(void *key, void *base, size_t nmemb,
 size_t size, int (*compar)(void));
```

**Defined in**

bsearch.c in rts.src

**Description**

The **bsearch** function searches through an array of nmemb objects for a member that matches the object that key points to. Argument base points to the first member in the array; size specifies the size (in bytes) of each member.

The contents of the array must be in ascending, sorted order. If a match is found, the function returns a pointer to the matching member of the array; if no match is found, the function returns a null pointer (0).

Argument compar points to a user-defined function that compares key to the array elements. The comparison function should be declared as:

```
int cmp(const void *ptr1, const void *ptr2);
```

The cmp function compares the objects that ptr1 and ptr2 point to and returns one of the following values:

```
< 0 if *ptr1 is less than *ptr2.
 0 if *ptr1 is equal to *ptr2.
> 0 if *ptr1 is greater than *ptr2.
```

In order for the search to work properly, the comparison must return <0, 0, >0.

**Example**

```
#include <stdlib.h>
#include <stdio.h>

int list [] = {1, 3, 4, 6, 8, 9};
int diff (const void *, const void *0);

main()
{
 int key = 8;
 int p = bsearch (&key, list, 6, 1, idiff);
 /* p points to list[4] */
}
int idiff (const void *i1, const void *i2)
{
 return *(int *) i1 - *(int *) i2;
}
```



**calloc***Allocate and Clear Memory*

---

**Syntax**

```
#include <stdlib.h>
```

```
void *calloc(size_t nmemb, size_t size);
void *calloc8(size_t _num, size_t _size);
void *calloc16(size_t _num, size_t _size);
```

**Defined in**

memory.c in rts.src

**Description**

The **calloc** function allocates `size` bytes for each of `nmemb` objects and returns a pointer to the space. The function initializes the allocated memory to all 0s. If it cannot allocate the memory (that is, if it runs out of memory), it returns a null pointer (0).

The memory that `calloc` uses is in a special memory pool or heap, defined in an uninitialized named section called `.sysmem` in `memory.c`. The linker sets the size of this section from the value specified by the `-heap` option. Default heap size is 1K words.

For the TMS320C32 processor, 8-bit and 16-bit versions of the `calloc` function are provided. The functions `calloc8` and `calloc16` are analogous to `calloc`; however, memory is allocated from the uninitialized sections `.sysm8` and `.sysm16`, respectively. The linker creates a `.sysm8` or `.sysm16` section when a size is specified using the `-heap8` or `-heap16` option. It will create a section of the default size (1K of 8-bit or 16-bit words) when the `calloc8` and `calloc16` functions are used and the `-heap8` and `-heap16` options are not.

For more information, refer to subsection 4.1.3, *Dynamic Memory Allocation*, on page 4-4.

**Example**

This example uses the `calloc` routine to allocate and clear 10 bytes.

```
ptr = calloc (10,2); /*Allocate and clear 20 bytes */
```

**ceil**

*Ceiling*

---

**Syntax**

```
#include <math.h>
```

```
double ceil(double x);
```

**Defined in**

ceil.c in rts.src

**Description**

The **ceil** function returns a floating-point number that represents the smallest integer greater than or equal to *x*. The **ceil** function is inlined if the `-x2` option is used.

**Example**

```
double answer;
answer = ceil(3.1415); /* answer = 4.0 */
answer = ceil(-3.5); /* answer = -3.0 */
```

**clearerr**

*Clear EOF and Error Indicators*

---

**Syntax**

```
#include <stdio.h>
```

```
void clearerr(FILE *p);
```

**Defined in**

clearerr.c in rts.src

**Description**

Clears the EOF and error indicators for the stream that *p* points to.

**clock***Processor Time***Syntax**

```
#include <time.h>
```

```
clock_t clock(void);
```

**Defined in**

clock.c in rts.src

**Description**

The **clock** function determines the amount of processor time used. It returns an approximation of the processor time used by a program since the program began running. The return value can be converted to seconds by dividing by the value of the macro `CLOCKS_PER_SEC`.

If the processor time is not available or cannot be represented, the clock function returns the value of `-1`.

**Note: Writing Your Own Clock Function**

The clock function is target-system specific, so you must write your own clock function. You must also define the `CLOCKS_PER_SEC` macro according to the granularity of your clock so that the value returned by `clock()` (number of clock ticks) can be divided by `CLOCKS_PER_SEC` to produce a value in seconds.

For more information about the functions and types that the `time.h` header declares, refer to subsection 5.2.13, page 5-11.

**cos***Cosine***Syntax**

```
#include <math.h>
```

```
double cos(double x);
```

**Defined in**

cos.c in rts.src

**Description**

The **cos** function returns the cosine of a floating-point number `x`. The angle `x` is expressed in radians. An argument with a large magnitude may produce a result with little or no significance.

**Example**

```
double radians, cval; /* cos returns cval */
radians = 3.1415927;
cval = cos(radians); /* return value = -1.0 */
```

**cosh** *Hyperbolic Cosine*

---

**Syntax** `#include <math.h>`

**double cosh(double x);**

**Defined in** `cosh.c` in `rts.src`

**Description** The **cosh** function returns the hyperbolic cosine of a floating-point number `x`. A range error occurs if the magnitude of the argument is too large.

**Example**

```
double x, y;

x = 0.0;
y = cosh(x); /* return value = 1.0 */
```

**ctime** *Calendar Time*

---

**Syntax** `#include <time.h>`

**char \*ctime(time\_t \*timer);**

**Defined in** `ctime.c` in `rts.src`

**Description** The **ctime** function converts the calendar time (pointed to by `timer` and represented as a value of type `time_t`) to a string. This is equivalent to:

```
asctime(localtime(timer))
```

The function returns the pointer returned by the `asctime` function.

For more information about the functions and types that the `time.h` header declares, refer to subsection 5.2.13, page 5-11.

**difftime** *Time Difference*

---

**Syntax** `#include <time.h>`

**double difftime(time\_t time1, time\_t time0);**

**Defined in** `difftime.c` in `rts.src`

**Description** The **difftime** function calculates the difference between two calendar times, `time1` minus `time0`. The return value is expressed in seconds.

For more information about the functions and types that the `time.h` header declares, refer to subsection 5.2.13, page 5-11.

**div/ldiv***Division***Syntax**

```
#include <stdlib.h>
```

```
div_t div(int numer, long denom);
ldiv_t ldiv(long numer, long denom);
```

**Defined in**

div.c in rts.src

**Description**

Two functions support integer division by returning numer divided by denom. You can use these functions to get both the quotient and the remainder in a single operation.

- The **div** function performs *integer* division. The input arguments are integers; the function returns the quotient and the remainder in a structure of type `div_t`. The structure is defined as follows:

```
typedef struct
{
 int quot; /* quotient */
 int rem; /* remainder */
} div_t;
```

- The **ldiv** function performs *long integer* division. The input arguments are long integers; the function returns the quotient and the remainder in a structure of type `ldiv_t`. The structure is defined as follows:

```
typedef struct
{
 long int quot; /* quotient */
 long int rem; /* remainder */
} ldiv_t;
```

If the division produces a remainder, the sign of the quotient is the same as the algebraic quotient, and the magnitude of the resulting quotient is the largest integer less than the magnitude of the algebraic quotient. The sign of the remainder is the same as the sign of numer.

Because ints and longs are equivalent types in TMS320C3x/C4x C, these functions are also equivalent.

**Example**

```
int i = -10
int j = 3;
div_t result = div (i, j); /* result.quot == -3 */
 /* result.rem == -1 */
```

**exit***Normal Termination*

---

**Syntax**

```
#include <stdlib.h>

void exit(int status);
```

**Defined in**

exit.c in rts.src

**Description**

The **exit** function terminates a program normally. All functions registered by the atexit function are called in reverse order of their registration.

You can modify the exit function to perform application-specific shutdown tasks. The unmodified function simply runs in an infinite loop until the system is reset.

Note that the exit function cannot return to its caller.

**exp***Exponential*

---

**Syntax**

```
#include <math.h>

double exp(double x);
```

**Defined in**

exp.c in rts.src

**Description**

The **exp** function returns the exponential function of x. The return value is the number e raised to the power x. A range error occurs if the magnitude of x is too large.

**Example**

```
double x, y;
x = 2.0;
y = exp(x); /* y = 7.38905, which is e**2 */
```

**fabs***Absolute Value*

---

**Syntax**

```
#include <math.h>

double fabs(double x);
```

**Defined in**

fabs.c in rts.src

**Description**

The **fabs** function returns the absolute value of a floating-point number x. The fabs function is expanded inline unless the -x0 option is used.

**Example**

```
double x, y;
x = -57.5;
y = fabs(x); /* return value = +57.5 */
```

**fclose** *Close File*

---

**Syntax** `#include <stdio.h>`

`int fclose(FILE *iop);`

**Defined in** `fclose.c` in `rts.src`

**Description** Flushes the stream that `iop` points to. When the stream is flushed, the function closes the file associated with the stream.

**feof** *Test EOF Indicator*

---

**Syntax** `#include <stdio.h>`

`int feof(FILE *p);`

**Defined in** `feof.c` in `rts.src`

**Description** Tests the EOF indicator for a stream. The stream is pointed to by `p`.

**ferror** *Test Error Indicator*

---

**Syntax** `#include <stdio.h>`

`int ferror(FILE *p);`

**Defined in** `ferror.c` in `rts.src`

**Description** Tests the error indicator for a stream. The stream is pointed to by `p`.

**fflush** *Flush I/O Buffer*

---

**Syntax** `#include <stdio.h>`

`int fflush(register FILE *iop);`

**Defined in** `fflush.c` in `rts.src`

**Description** Flushes the I/O buffer for a stream. The stream is pointed to by `iop`.

## **fgetc**

### *Read Next Character*

---

**Syntax**

```
#include <stdio.h>
```

```
int fgetc(register FILE *fp);
```

**Defined in**

fgetc.c in rts.src

**Description**

Reads the next character in a stream. the stream is pointed to by fp.

## **fgetpos**

### *Store Object*

---

**Syntax**

```
#include <stdio.h>
```

```
int fgetpos(FILE *iop, fpos_t *pos);
```

**Defined in**

fgetpos.c in rts.src

**Description**

Stores the object pointed to by pos. The object is stored to the current value of the file position indicator for the stream pointed to by iop.

## **fgets**

### *Read Next Characters*

---

**Syntax**

```
#include <stdio.h>
```

```
char *fgets(char *ptr, register int size, register FILE *iop);
```

**Defined in**

fgets.c in rts.src

**Description**

Reads the specified number of characters from the stream pointed to by iop. The characters are placed in the array named by ptr. The number of characters read is size - 1.



**floor***Floor*

---

**Syntax**

```
#include <math.h>
```

```
double floor(double x);
```

**Defined in**

floor.c in rts.src

**Description**

The **floor** function returns a floating-point number that represents the largest integer less than or equal to *x*. The floor function is expanded inline if the `-x` option is used.

**Example**

```
double answer;

answer = floor(3.1415); /* answer = 3.0 */
answer = floor(-3.5); /* answer = -4.0 */
```

**fmod***Floating-Point Remainder*

---

**Syntax**

```
#include <math.h>
```

```
double fmod(double x, double y);
```

**Defined in**

fmod.c in rts.src

**Description**

The **fmod** function returns the remainder after dividing *x* by *y* an integral number of times. If *y*==0, the function returns 0.

**Example**

```
double x, y, r;

x = 11.0;
y = 5.0;
r = fmod(x, y); /* fmod returns 1.0 */
```

**fopen***Open File*

---

**Syntax**

```
#include <stdio.h>
```

```
FILE *fopen(const char *file, const char *mode);
```

**Defined in**

fopen.c in rts.src

**Description**

Opens the file that *file* points to. How to open the file is described by a string pointed to by *mode*.

## **fprintf**

### *Write Stream*

---

#### **Syntax**

#include <stdio.h>

**int fprintf(FILE \*iop, const char \*format, ...);**

#### **Defined in**

fprintf.c in rts.src

#### **Description**

Writes to the stream pointed to by iop. How to write the stream is described by a string pointed to by format.

## **fputc**

### *Write Character*

---

#### **Syntax**

#include <stdio.h>

**int fputc(int c, register FILE \*fp);**

#### **Defined in**

fputc.c in rts.src

#### **Description**

Writes a character to a stream. The stream is pointed to by fp.

## **fputs**

### *Write String*

---

#### **Syntax**

#include <stdio.h>

**int fputs(const char \*ptr, register FILE \*iop);**

#### **Defined in**

fputs.c in rts.src

#### **Description**

Writes the string pointed to by ptr to a stream. The stream is pointed to by iop.

## **fread**

### *Read Stream*

---

#### **Syntax**

#include <stdio.h>

**size\_t fread(void \*ptr, size\_t size, size\_t count, FILE \*iop);**

#### **Defined in**

fread.c in rts.src

#### **Description**

Reads from the stream pointed to by iop. Stores the input in the array pointed to by ptr. The number of objects read is count. The size of the objects is size.

**free***Deallocate Memory*

---

**Syntax**

```
#include <stdlib.h>
```

```
void free(void *ptr);
void free8(void *_ptr);
void free16(void *_ptr);
```

**Defined in**

memory.c in rts.src

**Description**

The **free** function deallocates memory space (pointed to by ptr) that was previously allocated by a malloc, calloc, or realloc call. This makes the memory space available again. If you attempt to free unallocated space, the function takes no action and returns.

For the TMS320C32 processor, 8-bit and 16-bit versions of the free function are provided. The functions free8 and free16 are analogous to the 32-bit version.

For more information, refer to subsection 4.1.3, *Dynamic Memory Allocation*, on page 4-4.

**Example**

This example allocates 10 bytes and then frees them.

```
char *x;
x = malloc(10); /* allocate 10 bytes */
free(x); /* free 10 bytes */
```

**freopen***Open File*

---

**Syntax**

```
#include <stdio.h>
```

```
FILE *freopen(const char *file, const char *mode, register FILE *iop);
```

**Defined in**

fopen.c in rts.src

**Description**

Opens the file pointed to by file, and associates with it the stream pointed to by iop. How to open the file is described by a string pointed to by mode.

**frexp**

*Fraction and Exponent*

---

**Syntax**

```
#include <math.h>
```

```
double frexp(double value, int *exp);
```

**Defined in**

frexp30.asm in rts.src

**Description**

The **frexp** function breaks a floating-point number into a normalized fraction and an integer power of 2. The function returns a number  $x$ , with a magnitude in the range  $[1/2, 1)$  or 0, so that  $\text{value} == x \times 2^{\text{exp}}$ . The **frexp** function stores the power in the `int` pointed to by `exp`. If `value` is 0, both parts of the result are 0.

**Example**

```
double fraction;
int exp;

fraction = frexp(3.0, &exp);

/* after execution, fraction is .75 and exp is 2 */
```

**fscanf**

*Read Stream*

---

**Syntax**

```
#include <stdio.h>
```

```
int fscanf(FILE *iop, const char *format, ...);
```

**Defined in**

fscanf.c in rts.src

**Description**

Reads from the stream pointed to by `iop`. How to read the stream is described by a string pointed to by `format`.

**fseek**

*Set File Position Indicator*

---

**Syntax**

```
#include <stdio.h>
```

```
int fseek(register FILE *iop, long offset, int ptr);
```

**Defined in**

fseek.c in rts.src

**Description**

Sets the file position indicator for the stream pointed to by `iop`. The position is specified by `ptr`. For a binary file, use `offset` to position the indicator from `ptr`. For a text file, `offset` must be 0.

**fsetpos** *Set File Position Indicator*

---

**Syntax** `#include <stdio.h>`

`int fsetpos(FILE *iop, const fpos_t *pos);`

**Defined in** `fsetpos.c` in `rts.src`

**Description** Sets the file position indicator for the stream pointed to by `iop` to `pos`. The pointer `pos` must be a value from `fgetpos()` on the same stream.

**ftell** *Get Current File Position Indicator*

---

**Syntax** `#include <stdio.h>`

`long ftell(FILE *iop);`

**Defined in** `ftell.c` in `rts.src`

**Description** Gets the current value of the file position indicator for a stream. The stream is pointed to by `iop`.

**fwrite** *Write Block of Data*

---

**Syntax** `#include <stdio.h>`

`size_t fwrite(const void *ptr, size_t size, size_t count, register FILE *iop);`

**Defined in** `fwrite.c` in `rts.src`

**Description** Writes a block of data from the memory pointed to by `ptr` to a stream. The stream is pointed to by `iop`.

**getc** *Read Next Character*

---

**Syntax** `#include <stdio.h>`

`int getc(FILE *p);`

**Defined in** `fgetc.c` in `rts.src`

**Description** Reads the next character in a file. The file is pointed to by `p`.

**getchar** *Read Next Character From Standard Input*

---

**Syntax** `#include <stdio.h>`  
**int** **getchar**(void);

**Defined in** fgetc.c in rts.src

**Description** Reads the next character from the standard input device.

**getenv** *Get Environment Information*

---

**Syntax** `#include <stdlib.h>`  
**char \*****getenv**(const char \*name);

**Defined in** lddrv.c in rts.src

**Description** Returns the environment information associated with name.

**gets** *Read Next From Standard Input*

---

**Syntax** `#include <stdio.h>`  
**char \*****gets**(char \*ptr);

**Defined in** fgets.c in rts.src

**Description** Reads an input line from the standard input device. The characters are placed in the array named by ptr.

**gmtime** *Greenwich Mean Time*

---

**Syntax** `#include <time.h>`  
**struct tm \*****gmtime**(time\_t \*timer);

**Defined in** gmtime.c in rts.src

**Description** The **gmtime** function converts a local time pointed to by timer into Greenwich Mean Time (represented as a broken-down time).

The adjustment from local time to GMT is dependent on the local time zone. The current time zone is represented by a structure called `_tz`, of type `struct tmzone`, defined in `tmzone.c`. Change this structure for the appropriate time zone.

For more information about the functions and types that the `time.h` header declares, refer to subsection 5.2.13, page 5-11.

**isxxx***Character Typing***Syntax**

```
#include <ctype.h>
```

```
int isalnum(char c); int islower(char c);
int isalpha(char c); int isprint(char c);
int isascii(char c); int ispunct(char c);
int iscntrl(char c); int isspace(char c);
int isdigit(char c); int isupper(char c);
int isgraph(char c); int isxdigit(char c);
```

**Defined in**

isxxx.c and ctype.c in rts.src  
Also defined in ctype.h as macros

**Description**

These functions test a single argument *c* to see if it is a particular type of character — alphabetic, alphanumeric, numeric, ASCII, etc. If the test is true (the character is the type of character that it was tested to be), the function returns a nonzero value; if the test is false, the function returns 0. All of the character-typing functions are expanded inline if the `-x` option is used. The character-typing functions include:

|                 |                                                                                                                                    |
|-----------------|------------------------------------------------------------------------------------------------------------------------------------|
| <b>isalnum</b>  | identifies alphanumeric ASCII characters (tests for any character for which <code>isalpha</code> or <code>isdigit</code> is true). |
| <b>isalpha</b>  | identifies alphabetic ASCII characters (tests for any character for which <code>islower</code> or <code>isupper</code> is true).   |
| <b>isascii</b>  | identifies ASCII characters (any character from 0–127).                                                                            |
| <b>iscntrl</b>  | identifies control characters (ASCII characters 0–31 and 127).                                                                     |
| <b>isdigit</b>  | identifies numeric characters between 0 and 9 (inclusive).                                                                         |
| <b>isgraph</b>  | identifies any non-space character.                                                                                                |
| <b>islower</b>  | identifies lowercase alphabetic ASCII characters.                                                                                  |
| <b>isprint</b>  | identifies printable ASCII characters, including spaces (ASCII characters 32–126).                                                 |
| <b>ispunct</b>  | identifies ASCII punctuation characters.                                                                                           |
| <b>isspace</b>  | identifies ASCII spacebar, tab (horizontal or vertical), carriage return, form feed, and new line characters.                      |
| <b>isupper</b>  | identifies uppercase ASCII alphabetic characters.                                                                                  |
| <b>isxdigit</b> | identifies hexadecimal digits (0–9, a–f, A–F).                                                                                     |

The C compiler also supports a set of macros that perform these same functions. The macros have the same names as the functions but are prefixed with an underscore; for example, `_isascii` is the macro equivalent of the `isascii` function. In general, the macros execute more efficiently than the functions.

**ldexp** *Multiply by a Power of Two*

---

**Syntax** `#include <math.h>`

**double ldexp**(double x, int exp);

**Defined in** ldexp30.asm in rts.src

**Description** The **ldexp** function multiplies a floating-point number x by a power of 2 given by exp and returns  $x \times 2^{\text{exp}}$ . The exponent (exp) can be a negative or a positive value. A range error may occur if the result is too large.

**Example**

```
double result;
result = ldexp(1.5, 5); /* result is 48.0 */
result = ldexp(6.0, -3); /* result is 0.75 */
```

**localtime** *Local Time*

---

**Syntax** `#include <time.h>`

**struct tm \*localtime**(time\_t \*timer);

**Defined in** localtime.c in rts.src

**Description** The **localtime** function converts a calendar time represented as a value of type time\_t into a broken-down time in a structure. The function returns a pointer to the structure representing the converted time.

For more information about the functions and types that the time.h header declares, refer to subsection 5.2.13, page 5-11.

**log** *Natural Logarithm*

---

**Syntax** `#include <math.h>`

**double log**(double x);

**Defined in** log.c in rts.src

**Description** The **log** function returns the natural logarithm of a real number x. A domain error occurs if x is negative; a range error occurs if x is 0.

**Example**

```
float x, y;
x = 2.718282;
y = log(x); /* Return value = 1.0 */
```



**log10***Common Logarithm*

---

**Syntax**

```
#include <math.h>
```

```
double log10(double x);
```

**Defined in**

```
log10.c in rts.src
```

**Description**

The **log10** function returns the base-10 logarithm (or common logarithm) of a real number *x*. A domain error occurs if *x* is negative; a range error occurs if *x* is 0.

**Example**

```
float x, y;

x = 10.0;
y = log(x); /* Return value = 1.0 */
```

**ltoa***Convert Long Integer to ASCII*

---

**Syntax**

```
#include <stdlib.h>
```

```
int ltoa(long n, char *buffer);
```

**Defined in**

```
ltoa.c in rts.src
```

**Description**

The **ltoa** function converts a long integer *n* to the equivalent ASCII string and writes it into *buffer* with a null terminator. If the input number *n* is negative, a leading minus sign is output. The **ltoa** function returns the number of characters placed in the buffer, not including the terminator.

**Example**

```
int i;

char s[10];
i = ltoa (-92993L, s); /* i = 6, s = "-92993" */
```

**malloc**

*Allocate Memory*

---

**Syntax**

```
#include <stdlib.h>
```

```
void *malloc(size_t size);
void *malloc8(size_t _size);
void *malloc16(size_t _size);
```

**Defined in**

memory.c in rts.src

**Description**

The **malloc** function allocates space for an object of size bytes and returns a pointer to the space. If malloc cannot allocate the packet (that is, if it runs out of memory), it returns a null pointer (0). This function does not modify the memory it allocates.

The memory that malloc uses is in a special memory pool or heap, defined in an uninitialized named section called .sysmem in memory.c. The linker sets the size of this section from the value specified by the `-heap` option. Default heap size is 1K words.

For the TMS320C32 processor, 8-bit and 16-bit versions of the malloc function are provided. The functions malloc8 and malloc16 are analogous to malloc; however, memory is allocated from the uninitialized sections .sysm8 and .sysm16, respectively. The linker creates a .sysm8 or .sysm16 section when a size is specified using the `-heap8` or `-heap16` option. It will create a section of the default size (1K of 8-bit or 16-bit words) when the malloc8 and malloc16 functions are used and the `-heap8` and `-heap16` options are not.

For more information, refer to subsection 4.1.3, *Dynamic Memory Allocation*, on page 4-4.

**Example**

This example allocates free space for a structure.

```
struct xyz *p;
p = malloc (sizeof (struct xyz));
```

**memchr** *Find First Occurrence of Byte*

---

**Syntax**

```
#include <string.h>
```

```
void *memchr(void *s, char c, size_t n);
```

**Defined in**

memchr.c in rts.src

**Description**

The **memchr** function finds the first occurrence of *c* in the first *n* characters of the object that *s* points to. If the character is found, **memchr** returns a pointer to the located character; otherwise, it returns a null pointer (0).

The **memchr** function is similar to **strchr**, except that the object that **memchr** searches can contain values of 0, and *c* can be 0. The **memchr** function is expanded inline when the `-x` option is used.

**memcmp** *Memory Compare*

---

**Syntax**

```
#include <string.h>
```

```
int memcmp(void *s1, void *s2, size_t n);
```

**Defined in**

memcmp.c in rts.src

**Description**

The **memcmp** function compares the first *n* characters of the object that *s2* points to with the object that *s1* points to. The function returns one of the following values:

```
< 0 if *s1 is less than *s2.
 0 if *s1 is equal to *s2.
> 0 if *s1 is greater than *s2.
```

The **memcmp** function is similar to **strncmp**, except that the objects that **memcmp** compares can contain values of 0. The **memcmp** function is expanded inline when the `-x` option is used.

**memcpy** *Memory Block Copy — Nonoverlapping*

---

**Syntax**

```
#include <string.h>
```

```
void *memcpy(void *s1, void *s2, size_t n);
```

**Defined in**

memcpy.c in rts.src

**Description**

The **memcpy** function copies *n* characters from the object that *s2* points to into the object that *s1* points to. *If you attempt to copy characters of overlapping objects, the function's behavior is undefined.* The function returns the value of *s1*.

The **memcpy** function is similar to **strncpy**, except that the objects that **memcpy** copies can contain values of 0. The **memcpy** function is expanded inline when the `-x` option is used.

**memmove**

*Memory Block Copy — Overlapping*

---

**Syntax**

```
#include <string.h>
```

```
void *memmove(void *s1, void *s2, size_t n);
```

**Defined in**

memmove.c in rts.src

**Description**

The **memmove** function moves *n* characters from the object that *s2* points to into the object that *s1* points to; the function returns the value of *s1*. *The memmove function correctly copies characters between overlapping objects.*

**memset**

*Duplicate Value in Memory*

---

**Syntax**

```
#include <string.h>
```

```
void *memset(void *s, int c, size_t n);
```

**Defined in**

memset.c in rts.src

**Description**

The **memset** function copies the value of *c* into the first *n* characters of the object that *s* points to. The function returns the value of *s*. The **memset** function is expanded inline when the `-x` option is used.

**minit***Reset Dynamic Memory Pool*

---

**Syntax**

```
#include <stdlib.h>
```

```
void minit(void);
void minit8(void);
void minit16(void);
```

**Defined in**

memory.c in rts.src

**Description**

The **minit** function resets all the space that was previously allocated by calls to the malloc, calloc, or realloc functions.

**Note: Accessing Objects After Calling the minit Function**

Calling the minit function makes **all** the memory space in the heap available again. **Any objects that you allocated previously will be lost; do not try to access them.**

The memory that minit uses is in a special memory pool or heap, defined in an uninitialized named section called .sysmem in memory.c. The linker sets the size of this section from the value specified by the `-heap` option. Default heap size is 1K words.

For the TMS320C32 processor, 8-bit and 16-bit versions of the minit function are provided. The functions minit8 and minit16 are analogous to the 32-bit version; however, memory is allocated from the uninitialized sections .sysm8 and .sysm16, respectively. The linker creates a .sysm8 or .sysm16 section when a size is specified using the `-heap8` or `-heap16` option.

For more information, refer to subsection 4.1.3, *Dynamic Memory Allocation*, on page 4-4.

**mktime** *Convert to Calendar Time*

---

**Syntax** `#include <time.h>`  
`time_t *mktime(struct tm *timeptr);`

**Defined in** `mktime.c` in `rts.src`

**Description** The **mktime** function converts a broken-down time, expressed as local time, into a time value of type `time_t`. The `timeptr` argument points to a structure that holds the broken-down time.

The function ignores the original values of `tm_wday` and `tm_yday` and does not restrict the other values in the structure. After successful completion of time conversions, `tm_wday` and `tm_yday` are set appropriately, and the other components in the structure have values within the restricted ranges. The final value of `tm_mday` is not sent until `tm_mon` and `tm_year` are determined.

The return value is encoded as a value of type `time_t`. If the calendar time cannot be represented, the function returns the value `-1`.

**Example** This example determines the day of the week that July 4, 2001 falls on.

```
#include <time.h>
static const char *const wday[] = {
 "Sunday", "Monday", "Tuesday", "Wednesday",
 "Thursday", "Friday", "Saturday" };

struct tm time_str;

time_str.tm_year = 2001 - 1900;
time_str.tm_mon = 7;
time_str.tm_mday = 4;
time_str.tm_hour = 0;
time_str.tm_min = 0;
time_str.tm_sec = 1;
time_str.tm_isdst = 1;

mktime(&time_str); /* After calling this function,
time_str.tm_wday contains the day of
the week for July 4, 2001 */

printf ("result is %s\n", wday[time_str.tm_wday]);
```

For more information about the functions and types that the `time.h` header declares, refer to subsection 5.2.13, on page 5-11.

**modf***Signed Integer and Fraction*

---

**Syntax**

```
#include <math.h>
```

```
double modf(double value, double *iptr);
```

**Defined in**

modf30.asm in rts.src

**Description**

The **modf** function breaks a value into a signed integer and a signed fraction. Each of the two parts has the same sign as the input argument. The function returns the fractional part of value and stores the integer part as a double at the object pointed to by iptr.

**Example**

```
double value, ipart, fpart;
value = -3.1415;
fpart = modf(value, &ipart);

/* After execution, ipart contains -3.0, */
/* and fpart contains -0.1415. */
```

**perror***Map Error Number*

---

**Syntax**

```
#include <stdio.h>
```

```
void perror(const char *s);
```

**Defined in**

perror.c in rts.src

**Description**

Maps the error number in s to a string. The function then prints the error message.

**pow** *Raise to a Power*

---

**Syntax** `#include <math.h>`

**double pow**(double x, double y);

**Defined in** pow.c in rts.src

**Description** The **pow** function returns x raised to the power y. A domain error occurs if x = 0 and y ≤ 0, or if x is negative and y is not an integer. A range error may occur if the result is too large to represent.

**Example**

```
double x, y, z;

x = 2.0;
y = 3.0;
z = pow(x, y); /* return value = 8.0 */
```

**printf** *Write to Standard Output*

---

**Syntax** `#include <stdio.h>`

**int printf**(const char \*format, ...);

**Defined in** printf.c in rts.src

**Description** Writes to the standard output device. How to write the stream is described by a string pointed to by format.

**putc** *Write Character*

---

**Syntax** `#include <stdio.h>`

**int putc**(int x, FILE \*p);

**Defined in** fputc.c in rts.src

**Description** Writes a character to a stream. The stream is pointed to by p.



**putchar** *Write Character to Standard Output*

---

**Syntax** `#include <stdlib.h>`  
**int putchar**(int x);

**Defined in** fputc.c in rts.src

**Description** Writes a character to the standard output device.

**puts** *Write to Standard Output*

---

**Syntax** `#include <stdlib.h>`  
**int puts**(const char \*ptr);

**Defined in** fputs.c in rts.src

**Description** Writes a string to the standard output device. The string is pointed to by ptr.

**qsort**

*Array Sort*

---

**Syntax**

```
#include <stdlib.h>
```

```
void qsort(void *base, size_t n, size_t size, int (*compar) (void));
```

**Defined in**

qsort.c in rts.src

**Description**

The **qsort** function sorts an array of *n* members. Argument *base* points to the first member of the unsorted array; argument *size* specifies the size of each member.

This function sorts the array in ascending order.

Argument *compar* points to a function that compares key to the array elements. The comparison function should be declared as:

```
int cmp(void *ptr1, void *ptr2);
```

The *cmp* function compares the objects that *ptr1* and *ptr2* point to and returns one of the following values:

- < 0 if \*ptr1 is less than \*ptr2.
- 0 if \*ptr1 is equal to \*ptr2.
- > 0 if \*ptr1 is greater than \*ptr2.

The array sort will not work correctly if the *CMP* function fails to return the correct values for all three conditions.

**Example**

In the following example, a short list of integers is sorted with *qsort*.

```
#include <stdlib.h>

int list[] = {3, 1, 4, 1, 5, 9, 2, 6};
int idiff (const void *, const void *);

main()
{
 qsort (list, 8, 1, idiff);
 /* after sorting, list[]={ 1, 1, 2, 3, 4, 5, 6, 9} */
}

int idiff (const void *i1, const void *i2)
{
 return *(int *)i1 - *(int *)i2;
}
```

**rand/srand***Random Integer*

---

**Syntax**

```
#include <stdlib.h>
```

```
int rand(void);
void srand(unsigned int seed);
```

**Defined in**

rand.c in rts.src

**Description**

Two functions work together to provide pseudorandom sequence generation:

- The **rand** function returns pseudorandom integers in the range 0—RAND\_MAX. For the TMS320C3x/C4x C compiler, the value of RAND\_MAX is 2147483646 ( $2^{31} - 2$ ).
- The **srand** function sets the value of the random number generator seed so that a subsequent call to the rand function produces a new sequence of pseudorandom numbers. The srand function does not return a value.

If you call rand before calling srand, rand generates the same sequence it would produce if you first called srand with a seed value of 1. If you call srand with the same seed value, rand generates the same sequence of numbers.

**realloc***Change Heap Size*

---

**Syntax**

```
#include <stdlib.h>
```

```
void *realloc(void *ptr, size_t size);
void *realloc8(void *_ptr, size_t _size);
void *realloc16(void *_ptr, size_t _size);
```

**Defined in**

memory.c in rts.src

**Description**

The **realloc** function changes the size of the allocated memory pointed to by ptr, to the size specified in bytes by size. The contents of the memory space (up to the lesser of the old and new sizes) is not changed.

- If ptr is 0, realloc behaves like malloc.
- If ptr points to unallocated space, the function takes no action and returns.
- If the space cannot be allocated, the original memory space is not changed, and realloc returns 0.
- If size = 0 and ptr is not null, realloc frees the space that ptr points to.

If, in order to allocate more space, the entire object must be moved, `realloc` returns a pointer to the new space. Any memory freed by this operation is deallocated. If an error occurs, the function returns a null pointer (0).

The memory that `realloc` uses is in a special memory pool or heap, defined in an uninitialized named section called `.systemem` in `memory.c`. The linker sets the size of this section from the value specified by the `-heap` option. Default heap size is 1K words.

For the TMS320C32 processor, 8-bit and 16-bit versions of the `realloc` function are provided. The functions `realloc8` and `realloc16` are analogous to `realloc`; however, memory is allocated from the uninitialized sections `.sysm8` and `.sysm16`, respectively. The linker creates a `.sysm8` or `.sysm16` section when a size is specified using the `-heap8` or `-heap16` option. It will create a section of the default size (1K of 8-bit or 16-bit words) when the `realloc8` and `realloc16` functions are used and the `-heap8` and `-heap16` options are not.

For more information, refer to subsection 4.1.3, *Dynamic Memory Allocation*, on page 4-4.

**remove***Remove File*

---

**Syntax**

```
#include <stdio.h>
```

```
int remove(const char *file);
```

**Defined in**

`remove.c` in `rts.src`

**Description**

Makes the file pointed to no longer available by that name. The file is pointed to by `file`.

**rename***Rename File*

---

**Syntax**

```
#include <stdio.h>
```

```
int rename(const char *old, const char *new);
```

**Defined in**

`lowlev.c` in `rts.src`

**Description**

Renames the file pointed to by `old`. The new name is pointed to by `new`.

**rewind** *Position File Position Indicator to Beginning of File*

---

**Syntax** `#include <stdio.h>`

`void rewind(register FILE *iop);`

**Defined in** `rewind.c` in `rts.src`

**Description** Sets the file position indicator for a stream to the beginning of the file. The file is pointed to by `iop`.

**scanf** *Read Stream From Standard Input*

---

**Syntax** `#include <stdio.h>`

`int scanf(const char *format, ...);`

**Defined in** `fscanf.c` in `rts.src`

**Description** Reads from the stream from the standard input device. How to read the stream is described by a string pointed to by `format`.

**setbuf** *Specify Buffer for Stream*

---

**Syntax** `#include <stdio.h>`

`void setbuf(register FILE *iop, char *buf);`

**Defined in** `setbuf.c` in `rts.src`

**Description** Specifies the buffer used by the stream pointed to by `iop`. If `buf` is set to null, buffering is turned off. No value is returned.

**setjmp/longjmp**

*Nonlocal Jumps*

---

**Syntax**

#include <setjmp.h>

**int setjmp**(jmp\_buf env);  
**void longjmp**(jmp\_buf env, int returnval);

**Defined in**

setjmp.asm in rts.src

**Description**

The setjmp.h header defines one type, one macro, and one function for bypassing the normal function call and return discipline:

- The **jmp\_buf** type is an array type suitable for holding the information needed to restore a calling environment.
- The **setjmp** macro saves its calling environment in the jmp\_buf argument for later use by the longjmp function.  
 If the return is from a direct invocation, the setjmp macro returns the value zero. If the return is from a call to the longjmp function, the setjmp macro returns a nonzero value.
- The **longjmp** function restores the environment that was saved in the jmp\_buf argument by the most recent invocation of the setjmp macro. If the setjmp macro was not invoked, or if it terminated execution irregularly, the behavior of longjmp is undefined.

After longjmp is completed, the program execution continues as if the corresponding invocation of setjmp had just returned returnval. The longjmp function will not cause setjmp to return a value of zero even if returnval is zero. If returnval is zero, the setjmp macro returns the value 1.

**Example**

These functions are typically used to effect an immediate return from a deeply nested function call:

```
#include <setjmp.h>
jmp_buf env;
main()
{
 int errcode;

 if ((errcode = setjmp(env)) == 0)
 nest1();
 else
 switch (errcode)
 . . .
}
. . .
nest42()
{
 if (input() == ERRCODE42)
 /* return to setjmp call in main */
 longjmp (env, ERRCODE42);
 . . .
}
```

**setvbuf** *Define and Associate Buffer With Stream*

---

**Syntax**

```
#include <stdio.h>
```

```
int setvbuf(register FILE *iop, register char *buf, register int type,
 register size t_size);
```

**Defined in**

setbuf.c in rts.src

**Description**

Defines and associates the buffer used by the stream pointed to by iop. If buf is set to null, a buffer is allocated. If buf names a buffer, that buffer is used for the stream. The t\_size parameter specifies the size of the buffer. The type parameter specifies the type of buffering as follows:

```
_IOFBF Full buffering occurs
_IOLBF Line buffering occurs
_IONBF No buffering occurs
```

**sin**

---

*Sine*

---

**Syntax**

```
#include <math.h>
```

```
double sin(double x);
```

**Defined in**

sin.c in rts.src

**Description**

The **sin** function returns the sine of a floating-point number x. x is an angle expressed in radians. An argument with a large magnitude may produce a result with little or no significance.

**Example**

```
double radian, sval; /* sval is returned by sin */

radian = 3.1415927;
sval = sin(radian); /* sin returns -1.0 */
```

**sinh** *Hyperbolic Sine*

---

**Syntax** `#include <math.h>`

**double sinh**(double x);

**Defined in** `sinh.c` in `rts.src`

**Description** The **sinh** function returns the hyperbolic sine of a floating-point number x. A range error occurs if the magnitude of the argument is too large.

**Example**

```
double x, y;
x = 0.0;
y = sinh(x); /* return value = 0.0 */
```

**printf** *Write Stream*

---

**Syntax** `#include <stdio.h>`

**int printf**(char \*string, const char \*format, ...);

**Defined in** `printf.c` in `rts.src`

**Description** Writes to the array pointed to by string. How to write the stream is described by a string pointed to by format.

**sqrt** *Square Root*

---

**Syntax** `#include <math.h>`

**double sqrt**(double x);

**Defined in** `sqrt30.asm` in `rts.src`

**Description** The **sqrt** function returns the non-negative square root of a real number x. A domain error occurs if the argument is negative.

**Example**

```
double x, y;
x = 100.0;
y = sqrt(x); /* return value = 10.0 */
```



**sscanf** *Read Stream*

|                    |                                                                                                                |
|--------------------|----------------------------------------------------------------------------------------------------------------|
| <b>Syntax</b>      | <code>#include &lt;stdio.h&gt;</code><br><br><b>int sscanf</b> (const char *str, const char *format, ...);     |
| <b>Defined in</b>  | sscanf.c in rts.src                                                                                            |
| <b>Description</b> | Reads from the string pointed to by str. How to read the stream is described by a string pointed to by format. |

**strcat** *Concatenate Strings*

|                    |                                                                                                                                                                                                                                                                                                                           |
|--------------------|---------------------------------------------------------------------------------------------------------------------------------------------------------------------------------------------------------------------------------------------------------------------------------------------------------------------------|
| <b>Syntax</b>      | <code>#include &lt;string.h&gt;</code><br><br><b>char *strcat</b> (char *s1, char *s2);                                                                                                                                                                                                                                   |
| <b>Defined in</b>  | strcat.c in rts.src                                                                                                                                                                                                                                                                                                       |
| <b>Description</b> | The <b>strcat</b> function appends a copy of s2 (including the terminating null character) to the end of s1. The initial character of s2 overwrites the null character that originally terminated s1. The function returns the value of s1. The strcat function is expanded inline if the <code>-x</code> option is used. |
| <b>Example</b>     | In the following example, the character strings pointed to by a, b, and c were assigned to point to the strings shown in the comments. In the comments, the notation <code>"\0"</code> represents the null character:                                                                                                     |

```
char *a, *b, *c;
.
.
.
/* a --> "The quick black fox\0" */
/* b --> " jumps over \0" */
/* c --> "the lazy dog.\0" */

strcat (a,b);

/* a --> "The quick black fox jumps over \0" */

strcat (a,c);

/* a --> "The quick black fox jumps over the lazy dog.\0"*/
```

**strchr***Find First Occurrence of a Character*

---

**Syntax**

```
#include <string.h>
```

```
char *strchr(char *s, char c);
```

**Defined in**

```
strchr.c in rts.src
```

**Description**

The **strchr** function finds the first occurrence of *c* in *s*. If **strchr** finds the character, it returns a pointer to the character; otherwise, it returns a null pointer (0). The **strchr** function is expanded inline if the `-x` option is used.

**Example**

```
char *a = "When zz comes home, the search is on for z's.";
char *b;
char the_z = 'z';
```

```
b = strchr(a, the_z);
```

After this example, *b* points to the first *z* in *zz*.

**strcmp/strcoll***String Compare*

---

**Syntax**

```
#include <string.h>
```

```
int strcmp(char *s1, char *s2);
```

```
int strcoll(char *s1, char *s2);
```

**Defined in**

```
strcmp.c in rts.src
```

**Description**

The **strcmp** and **strcoll** functions compare *s2* with *s1*. The functions are equivalent; both functions are supported to provide compatibility with ANSI C. The **strcmp** function is expanded inline if the `-x` option is used.

The functions return one of the following values:

```
< 0 if *s1 is less than *s2.
 0 if *s1 is equal to *s2.
> 0 if *s1 is greater than *s2.
```

**Example**

```
char *stra = "why ask why";
char *strb = "just do it";
char *strc = "why ask why";

if (strcmp(stra, strb) > 0)
{
 /* statements here will be executed */
}
if (strcoll(stra, strc) == 0)
{
 /* statements here will be executed also */
}
```

**strcpy***String Copy*

---

**Syntax**

```
#include <string.h>
```

```
char *strcpy(char *s1, char *s2);
```

**Defined in**

```
strcpy.c in rts.src
```

**Description**

The **strcpy** function copies s2 (including the terminating null character) into s1. If you attempt to copy strings that overlap, the function's behavior is undefined. The function returns a pointer to s1. The strcpy function is expanded inline if the `-x` option is used.

**Example**

In the following example, the strings pointed to by a and b are two separate and distinct memory locations. In the comments, the notation “\0” represents the null character:

```
char *a = "The quick black fox";
char *b = " jumps over ";

/* a --> "The quick black fox\0" */
/* b --> " jumps over \0" */

strcpy(a,b);

/* a --> " jumps over \0" */
/* b --> " jumps over \0" */
```

**strcspn***Find Number of Unmatching Characters*

---

**Syntax**

```
#include <string.h>
```

```
size_t strcspn(char *s1, char *s2);
```

**Defined in**

```
strcspn.c in rts.src
```

**Description**

The **strcspn** function returns the length of the initial segment of s1, *which is made up entirely of characters that are not in s2*. If the first character in s1 is in s2, the function returns 0.

**Example**

```
char *stra = "who is there?";
char *strb = "abcdefghijklmnopqrstuvwxy";
char *strc = "abcdefg";
size_t length;

length = strcspn(stra, strb); /* length = 0 */
length = strcspn(stra, strc); /* length = 9 */
```

**strerror***String Error*

---

**Syntax**

```
#include <string.h>
```

```
char *strerror(int errnum);
```

**Defined in**

strerror.c in rts.src

**Description**

The **strerror** function returns the string error. This function is supplied to provide ANSI compatibility.

**strftime***Format Time*

---

**Syntax**

```
#include <time.h>
```

```
size_t *strftime(char *s, size_t maxsize, char *format,
 struct tm *timeptr);
```

**Defined in**

strftime.c in rts.src

**Description**

The **strftime** function formats a time (pointed to by timeptr) according to a format string and returns the formatted result in the string s. Up to maxsize characters can be written to s. The format parameter is a string of characters that tells the strftime function how to format the time. The following list shows the valid characters and describes what each character expands to.

***Character is replaced by ...***

**%a** the abbreviated weekday name (Mon, Tue, . . . )

**%A** the full weekday name.

**%b** the abbreviated month name (Jan, Feb, . . . )

**%B** the locale's full month name

**%c** the date and time representation

**%d** the day of the month as a decimal number (0–31)

**%H** the hour (24-hour clock) as a decimal number (00–23)

**%I** the hour (12-hour clock) as a decimal number (01–12)

**%j** the day of the year as a decimal number (001–366)

**%m** the month as a decimal number (01–12)

**%M** the minute as a decimal number (00–59)

**%p** the locale's equivalent of either A.M. or P.M.

**%S** the second as a decimal number (00–50)

**%U** the week number of the year (Sunday is the first day of the week) as a decimal number (00–52)

**%x** the date representation  
**%X** the time representation  
**%y** the year without century as a decimal number (00–99)  
**%Y** the year with century as a decimal number  
**%Z** the time zone name, or by no characters if no time zone exists

For more information about the functions and types that the `time.h` header declares, refer to subsection 5.2.13, page 5-11.

**strlen***Find String Length*

---

**Syntax**

```
#include <string.h>
size_t strlen(char *s);
```

**Defined in**

`strlen.c` in `rts.src`

**Description**

The **strlen** function returns the length of `s`. In C, a character string is terminated by the first byte with a value of 0 (a null character). The returned result does not include the terminating null character. The `strlen` function is expanded inline if the `-x` option is used.

**Example**

```
char *stra = "who is there?";
char *strb = "abcdefghijklmnopqrstuvwxyz";
char *strc = "abcdefg";
size_t length;

length = strlen(stra); /* length = 13 */
length = strlen(strb); /* length = 26 */
length = strlen(strc); /* length = 7 */
```

**strncat***Concatenate Strings*

---

**Syntax**

```
#include <string.h>
```

**Defined in**

```
char *strncat(char *s1, char *s2, size_t n);
strncat.c in rts.src
```

**Description**

The **strncat** function appends up to *n* characters of *s2* (including the terminating null character) to the end of *s1*. The initial character of *s2* overwrites the null character that originally terminated *s1*; **strncat** appends a null character to the result. The function returns the value of *s1*.

**Example**

In the following example, the character strings pointed to by *a*, *b*, and *c* were assigned the values shown in the comments. In the comments, the notation “\0” represents the null character:

```
char *a, *b, *c;
size_t size = 13;
.
.
.
/* a--> "I do not like them,\0" */;
/* b--> " Sam I am, \0" */;
/* c--> "I do not like green eggs and ham\0" */;

strncat (a,b,size);

/* a--> "I do not like them, Sam I am, \0" */;

strncat (a,c,size);

/* a--> "I do not like them, Sam I am, I do not like\0" */;
```

**strncmp***Compare Strings*

---

**Syntax**

```
#include <string.h>
```

```
int strncmp(char *s1, char *s2, size_t n);
```

**Defined in**

```
strncmp.c in rts.src
```

**Description**

The **strncmp** function compares up to *n* characters of *s2* with *s1*. The function returns one of the following values:

```
< 0 if *s1 is less than *s2.
 0 if *s1 is equal to *s2.
> 0 if *s1 is greater than *s2.
```

**Example**

```
char *stra = "why ask why";
char *strb = "just do it";
char *strc = "why not?";
size_t size = 4;

if (strncmp(stra, strb, size) > 0)
{
 /* statements here will get executed */
}
if (strncmp(stra, strc, size) == 0)
{
 /* statements here will get executed also */
}
```

**strncpy***String Copy*

---

**Syntax**

```
#include <string.h>
```

```
char *strncpy(char *s1, char *s2, size_t n);
```

**Defined in**

```
strncpy.c in rts.src
```

**Description**

The **strncpy** function copies up to *n* characters from *s2* into *s1*. If *s2* is *n* characters long or longer, the null character that terminates *s2* is not copied. If you attempt to copy characters from overlapping strings, the function's behavior is undefined. If *s2* is shorter than *n* characters, **strncpy** appends null characters to *s1* so that *s1* contains *n* characters. The function returns the value of *s1*.

**Example**

Note that *strb* contains a leading space to make it five characters long. Also note that the first five characters of *strc* are an "I", a space, the word "am", and another space, so that after the second execution of **strncpy**, *stra* begins with the phrase "I am" followed by two spaces. In the comments, the notation "\0" represents the null character.

```
char *stra = "she's the one mother warned you of";
char *strb = " he's";
char *strc = "I am the one father warned you of";
char *strd = "oops";
size_t length = 5;

strncpy (stra, strb, length);

/* stra--> " he's the one mother warned you of\0" */;
/* strb--> " he's\0" */;
/* strc--> "I am the one father warned you of\0" */;
/* strd--> "oops\0" */;

strncpy (stra, strc, length);

/* stra--> "I am the one mother warned you of\0" */;
/* strb--> " he's\0" */;
/* strc--> "I am the one father warned you of\0" */;
/* strd--> "oops\0" */;

strncpy (stra, strd, length);

/* stra--> "oops\0" */;
/* strb--> " he's\0" */;
/* strc--> "I am the one father warned you of\0" */;
/* strd--> "oops\0" */;
```



**strpbrk** *Find Any Matching Character*

---

|                    |                                                                                                                                                                                                                        |
|--------------------|------------------------------------------------------------------------------------------------------------------------------------------------------------------------------------------------------------------------|
| <b>Syntax</b>      | <pre>#include &lt;string.h&gt;  char *strpbrk(char *s1, char *s2);</pre>                                                                                                                                               |
| <b>Defined in</b>  | strpbrk.c in rts.src                                                                                                                                                                                                   |
| <b>Description</b> | The <b>strpbrk</b> function locates the first occurrence in s1 of <i>any</i> character in s2. If strpbrk finds a matching character, it returns a pointer to that character; otherwise, it returns a null pointer (0). |
| <b>Example</b>     | <pre>char *stra = "it wasn't me"; char *strb = "wave"; char *a;  a = strpbrk (stra, strb);</pre> <p>After this example, a points to the “w” in wasn’t.</p>                                                             |

**strchr** *Find Last Occurrence of a Character*

---

|                    |                                                                                                                                                                                                                                                               |
|--------------------|---------------------------------------------------------------------------------------------------------------------------------------------------------------------------------------------------------------------------------------------------------------|
| <b>Syntax</b>      | <pre>#include &lt;string.h&gt;  char *strchr(char *s, int c);</pre>                                                                                                                                                                                           |
| <b>Defined in</b>  | strchr.c in rts.src                                                                                                                                                                                                                                           |
| <b>Description</b> | The <b>strchr</b> function finds the last occurrence of c in s. If strchr finds the character, it returns a pointer to the character; otherwise, it returns a null pointer (0). The strchr function is expanded inline if the <code>-x</code> option is used. |
| <b>Example</b>     | <pre>char *a = "When zz comes home, the search is on for z's"; char *b; char the_z = 'z'; b = strchr(a, the_z);</pre> <p>After this example, b points to the z in zs near the end of the string.</p>                                                          |

## **strspn**

### *Find Number of Matching Characters*

---

#### **Syntax**

```
#include <string.h>
```

```
size_t *strspn(int *s1, int *s2);
```

#### **Defined in**

strspn.c in rts.src

#### **Description**

The **strspn** function returns the length of the initial segment of s1, *which is entirely made up* of characters in s2. If the first character of s1 is not in s2, the strspn function returns 0.

#### **Example**

```
char *stra = "who is there?";
char *strb = "abcdefghijklmnopqrstuvwxy";
char *strc = "abcdefg";
size_t length;

length = strcspn(stra, strb); /* length = 3 */
length = strcspn(stra, strc); /* length = 0 */
```

## **strstr**

### *Find Matching String*

---

#### **Syntax**

```
#include <string.h>
```

```
char *strstr(char *s1, char *s2);
```

#### **Defined in**

strstr.c in rts.src

#### **Description**

The **strstr** function finds the first occurrence of s2 in s1 (excluding the terminating null character). If strstr finds the matching string, it returns a pointer to the located string; if it doesn't find the string, it returns a null pointer. If s2 points to a string with length 0, strstr returns s1.

#### **Example**

```
char *stra = "so what do you want for nothing?";
char *strb = "what";
char *ptr;

ptr = strstr(stra, strb);
```

The pointer ptr now points to the "w" in "what" in the first string.

**strtod/strtol/  
strtoul****Convert String to Numeric Value**

---

**Syntax**

```
#include <stdlib.h>
```

```
double strtod(char *nptr, char **endptr);
```

```
long int strtol(char *nptr, char **endptr, int base);
```

```
unsigned long int strtoul(char *nptr, char **endptr, int base);
```

**Defined in**

strtod.c in rts.src, strtol.c in rts.src and strtoul.c in rts.src

**Description**

Three functions convert ASCII strings to numeric values. For each function, argument *nptr* points to the original string. Argument *endptr* points to a pointer; the functions set this pointer to point to the first character after the converted string. The functions that convert to integers also have a third argument, *base*, which tells the function on which base to interpret the string.

- The **strtod** function converts a string to a floating-point value. The string must have the following format:

*[space] [sign] digits [.digits] [e/E] [sign] integer*

The function returns the converted string; if the original string is empty or does not have the correct format, the function returns a 0. If the converted string would cause an overflow, the function returns `±HUGE_VAL`; if the converted string would cause an underflow, the function returns 0. If the converted string causes an overflow or an underflow, `errno` is set to the value of `ERANGE`.

- The **strtol** function converts a string to a long integer. The string must have the following format:

*[space] [sign] digits [.digits] [e/E] [sign] integer*

- The **strtoul** function converts a string to an unsigned long integer. The string must be specified in the following format:

*[space] [sign] digits [.digits] [e/E] [sign] integer*

The *space* is indicated by one or more of the following characters: space bar, horizontal or vertical tab, carriage return, form feed, or newline. Following the space is an optional *sign*, and then *digits* that represent the integer portion of the number. The fractional part of the number follows, then the exponent, including an optional *sign*.

The first unrecognized character terminates the string. The pointer that *endptr* points to is set to point to this character.

**strtok***Break String into Token*

---

**Syntax**

```
#include <string.h>
```

```
char *strtok(char *s1, char *s2);
```

**Defined in**

strtok.c in rts.src

**Description**

Successive calls to the **strtok** function break s1 into a series of tokens, each delimited by a character from s2. Each call returns a pointer to the next token. The first call to strtok uses the string s1. Successive calls use a null pointer as the first argument. The value of s2 can change at each invocation. It is important to note that s1 is altered by the strtok function.

**Example**

After the first invocation of strtok in the example below, the pointer stra points to the string "excuse" because strtok has inserted a null character where the first space used to be. In the comments, the notation "\0" represents the null character.

```
char *stra = "excuse me while I kiss the sky";
char *ptr;

ptr = strtok (stra, " "); /* ptr --> "excuse\0" */
ptr = strtok (0, " "); /* ptr --> "me\0" */
ptr = strtok (0, " "); /* ptr --> "while\0" */
```

**strxfrm***Convert Characters*

---

**Syntax**

```
#include <string.h>
```

```
size_t strxfrm(char *tostring, const char *fromstring, size_t n);
```

**Defined in**

strxfrm.c in rts.src

**Description**

Converts the characters of one string into another string. The n number of characters pointed to by fromstring are converted into the n characters pointed to by tostring.

**tan***Tangent*

---

**Syntax**

```
#include <math.h>
```

```
double tan(double x);
```

**Defined in**

tan.c in rts.src

**Description**

The **tan** function returns the tangent of a floating-point number *x*. *x* is an angle expressed in radians. An argument with a large magnitude may produce a result with little or no significance.

**Example**

```
double x, y;

x = 3.1415927/4.0;
y = tan(x); /* return value = 1.0 */
```

**tanh***Hyperbolic Tangent*

---

**Syntax**

```
#include <math.h>
```

```
double tanh(double x);
```

**Defined in**

tanh.c in rts.src

**Description**

The **tanh** function returns the hyperbolic tangent of a floating-point number *x*.

**Example**

```
double x, y;

x = 0.0;
y = tanh(x); /* return value = 0.0 */
```

## **time**

### *Time*

---

**Syntax**

```
#include <time.h>
```

```
time_t time(time_t *timer);
```

**Defined in**

time.c in rts.src

**Description**

The **time** function determines the current calendar time, represented as a value of type `time_t`. The value is the number of seconds since 12:00 A.M., Jan 1, 1900. If the calendar time is not available, the function returns `-1`. If `timer` is not a null pointer, the function also assigns the return value to the object that `timer` points to.

For more information about the functions and types that the `time.h` header declares, refer to subsection 5.2.13, page 5-11.

---

**Note: Writing Your Own Time Function**

The `time` function is target-system specific, so you must write your own time function.

---

## **tmpfile**

### *Create Temporary File*

---

**Syntax**

```
#include <stdlib.h>
```

```
FILE *tmpfile(void);
```

**Defined in**

tmpfile.c in rts.src

**Description**

Creates a temporary file.

## **tmpnam**

### *Generate Valid Filename*

---

**Syntax**

```
#include <stdlib.h>
```

```
char *tmpnam(char *s);
```

**Defined in**

tmpnam.c in rts.src

**Description**

Generates a string that is a valid filename.

## **toascii**

### *Convert to ASCII*

---

**Syntax**

```
#include <ctype.h>
```

```
int toascii(char c);
```

**Defined in**

toascii.c in rts.src

**Description**

The **toascii** function ensures that `c` is a valid ASCII character by masking the lower seven bits. There is also an equivalent macro, `_toascii`.

**tolower/toupper***Convert Case*

---

**Syntax**

```
#include <ctype.h>
```

```
int tolower(char c);
int toupper(char c);
```

**Defined in**

```
tolower.c in rts.src
toupper.c in rts.src
```

**Description**

Two functions convert the case of a single alphabetic character, *c*, to upper or lower case:

- The **tolower** function converts an uppercase argument to lowercase. If *c* is not an uppercase letter, **tolower** returns it unchanged.
- The **toupper** function converts a lowercase argument to uppercase. If *c* is not a lowercase letter, **toupper** returns it unchanged.

The functions have macro equivalents named `_tolower` and `_toupper`.

**Example**

```
tolower ('A') /* returns 'a' */
tolower ('+') /* returns '+' */
```

**ungetc***Write Character to Stream*

---

**Syntax**

```
#include <stdio.h>
```

```
int ungetc(int c, FILE *p);
```

**Defined in**

```
ungetc.c in rts.src
```

**Description**

Writes the character *c* to a stream. The stream is pointed to by *p*.

**va\_arg/va\_end/  
va\_start***Variable-Argument Macros/Functions*

---

**Syntax**

```
#include <stdarg.h>

type va_arg(ap, type);
void va_end(ap);
void va_start(ap, parmN);
va_list *ap;
```

**Defined in**

stdarg.h as macros

**Description**

Some functions can be called with a varying number of arguments that have varying types. Such functions, called *variable-argument functions*, can use the following macros to step through argument lists at runtime. The `ap` parameter points to an argument in the variable-argument list.

- The **va\_start** macro initializes `ap` to point to the first argument in an argument list for the variable-argument function. The `parmN` parameter points to the rightmost parameter in the fixed, declared list.
- The **va\_arg** macro returns the value of the next argument in a call to a variable-argument function. Each time you call `va_arg`, it modifies `ap` so that successive arguments for the variable-argument function can be returned by successive calls to `va_arg` (`va_arg` modifies `ap` to point to the next argument in the list). The *type* parameter is a type name; it is the type of the current argument in the list.
- The **va\_end** macro resets the stack environment after `va_start` and `va_arg` are used.

Note that you must call `va_start` to initialize `ap` before calling `va_arg` or `va_end`.

**Example**

```
#include<stdarg.h>

int printf(char *fmt, ...)
{
 int i;
 char* s;

 va_list ap;
 va_start(ap, fmt);

 /* ... */

 i = va_arg(ap, int); /* Get next arg, an integer */
 s = va_arg(ap, char *); /* Get next arg, a string */
 i = va_arg(ap, long); /* Get next arg, a long */

 va_end(ap); /* Reset */
}
```



**vfprintf** *Write to Stream*

---

**Syntax**

```
#include <stdio.h>
```

```
int vfprintf(FILE *iop, const char *format, va_list ap);
```

**Defined in**

fprintf.c in rts.src

**Description**

Writes to the stream pointed to by iop. How to write the stream is described by a string pointed to by format. The ap parameter is the argument list.

**vprintf** *Write to Standard Output*

---

**Syntax**

```
#include <stdio.h>
```

```
int vprintf(const char *format, va_list ap);
```

**Defined in**

vprintf.c in rts.src

**Description**

Writes to the standard output device. How to write the stream is described by a string pointed to by format. The ap parameter is the argument list.

**vsprintf** *Write Stream*

---

**Syntax**

```
#include <stdio.h>
```

```
int vsprintf(char *string, const char *format, va_list ap);
```

**Defined in**

vsprintf.c in rts.src

**Description**

Writes to the array pointed to by string. How to write the stream is described by a string pointed to by format. The ap parameter is the argument list.

# Library-Build Utility

---

---

---

When using the TMS320C3x/C4x C compiler, you can compile your code under a number of different configurations and options, which are not necessarily compatible with one another. Since it would be cumbersome to include all possible combinations in individual runtime-support libraries, this package includes the source file, `rts.src`, that contains all runtime-support functions, and all floating-point support functions. By using the `mk30` utility described in this chapter you can custom build your own runtime-support libraries for the options you select.

These are the topics covered in this chapter:

| <b>Topic</b>                                        | <b>Page</b> |
|-----------------------------------------------------|-------------|
| <b>6.1 Invoking the Library-Build Utility .....</b> | <b>6-2</b>  |
| <b>6.2 Options Summary .....</b>                    | <b>6-4</b>  |

## 6.1 Invoking the Library-Build Utility

The general syntax for invoking the library utility is:

```
mk30 [options] src_arch1 [-obj.lib1] [src_arch2 [-obj.lib2]]
```

- mk30** is the command that invokes the utility.
- options* can appear anywhere on the command line or in a command file. (Options are discussed in Section 6.2 and below.)
- src\_arch* is the name of a source archive file. For each source archive named, mk30 will build an object library according to the runtime model specified by the command line options.
- obj.lib* is the optional object library name. If you do not specify a name for the library, mk30 uses the name of the source archive and appends a *.lib* suffix. For each source archive file specified, a corresponding object library file is created. An object library cannot be built from multiple source archive files.

The mk30 utility runs the shell program `cl30` on each source file in the archive to either compile or assemble it. It then collects all the object files into the output library. All the tools must be in your `PATH`. *The utility ignores and disables the environment variables* `TMP`, `C_OPTION`, and `C_DIR`.

### **Library Utility Specific Options**

Most of the options that are included on the command line correspond directly to options of the same name used with the compiler and assembler. The following options apply only to the library-build utility.

- c** extracts C source files contained in the source archive from the library and leaves them in the current directory after the utility has completed execution.
- h** instructs mk30 to use header files contained in the source archive and leave them in the current directory after the utility has completed execution. You will probably want to use this option to install the runtime-support header files from the `rts.src` archive that is shipped with the tools.
- k** instructs the mk30 utility to over-write files. By default, the utility aborts any time it attempts to create an object file when an object file of the same name already exists in the current directory, regardless of whether you specified the name or the utility derived it.
- q** instructs mk30 to suppress header information (quiet).

- u** instructs mk30 not to use the header files contained in the source archive when building the object library. If the desired headers are already in the current directory, there is no reason to reinstall them. This option also gives you some flexibility in modifying runtime-support functions to suit your application.
- v** prints progress information to the screen during execution of the utility. Normally, the utility operates silently (no screen messages).

**Example:** The following command builds the standard runtime support library as an object library named `rts40r.lib`. The library is compiled for the TMS320C4x (`-v40`), optimized with inline function expansion (`-x` and `-o`), and uses the register-argument runtime conventions. The example assumes that the runtime support headers already exist in the current directory (`--u`).

```
mk30 --u -v40 -o -x -mr rts.src -l rts40r.lib
```

## 6.2 Options Summary

Options for the mk30 utility correspond directly to the options that the compiler uses. These options are described in detail in subsection 2.1.3 on page 2-5.

| General Options         | Effect                                                      |
|-------------------------|-------------------------------------------------------------|
| -g                      | symbolic debugging                                          |
| -vxx                    | specify processor TMS320Cxx (v30, v32, v40, v44)            |
| Parser Options          | Effect                                                      |
| -pk                     | K&R compatible; compatible with previous C standards        |
| -pw                     | suppress warning messages                                   |
| -p?                     | enable trigraph expansion                                   |
| Optimizer Options       | Effect                                                      |
| -o0                     | level 0; register optimization                              |
| -o1                     | level 1; level 0 + local optimization                       |
| -o2 (or -o)             | level 2; level 1 + global optimization                      |
| -o3                     | level 3; level 2 + file optimization                        |
| -ox (equivalent to -x2) | defines <code>_INLINE</code> + invokes optimizer at level 2 |
| Inlining Options        | Effect                                                      |
| -x1                     | default inlining level                                      |
| -x2 (or -x)             | defines <code>_INLINE</code> + invokes optimizer at level 2 |
| Runtime Model Options   | Effect                                                      |
| -ma                     | assumes aliased variables                                   |
| -mb                     | big memory model                                            |
| -mc                     | fast float to int conversion                                |
| -mf                     | far pointers                                                |
| -mi                     | avoid RPTS loops                                            |
| -ml                     | runtime support assembly calls use far calls                |
| -mm                     | use MPYI for multiply                                       |
| -mn                     | enables optimization disabled by -g                         |
| -mp                     | perform speed optimizations at cost of increased code size  |
| -mr                     | register argument conventions                               |
| -ms                     | assume all memory accessible when optimizing                |
| -mt                     | generate Ada compatible frame structure                     |
| -mtc                    | generate Tartan LAJ-compatible function prolog              |

| Type Checking Options | Effect                             |
|-----------------------|------------------------------------|
| -tf                   | relax prototype checking           |
| -tp                   | relax pointer combination checking |

| Assembler Options | Effect                 |
|-------------------|------------------------|
| -as               | keep labels as symbols |

# Description of Compiler Optimizations

---

---

---

The TMS320C3x/C4x C compiler uses a variety of optimization techniques to improve the execution speed of your C programs and to reduce their size. Optimization occurs at various levels throughout the compiler. Most of the optimizations described here are performed by the separate optimizer pass that you enable and control with the `-o` compiler options. (For details about the `-o` options, refer to Section 2.4 on page 2-38.) However, the code generator performs some optimizations, particularly the target-specific optimizations, that you cannot selectively enable or disable.

This appendix describes two categories of optimizations: general and target-specific. General optimizations improve any C code, and target-specific optimizations are designed especially for the TMS320C3x/C4x architecture. Both kinds of optimizations are performed throughout the compiler. Some of the examples in this section were compiled with the `-v40` option, and some with `-v30`. The code produced will be slightly different depending on the version. For example, Example A-1 shows code produced with the `-v40` option, so one of its local variables is assigned to register R8 (a register the 'C3x doesn't have). Unless otherwise noted, the differences between `-v30` and `-v40` code are minimal.

These are the optimizations covered in this appendix:

## Target-Specific Optimizations

- Register variables
- Register tracking/targeting
- Cost-based register allocation
- Autoincrement addressing
- Repeat blocks
- Parallel instructions
- Conditional instructions
- Delayed branches
- TMS320C4x-specific features

## General Optimizations

- Algebraic reordering, symbolic simplification, constant folding
- Alias disambiguation
- Copy propagation
- Common subexpression elimination
- Redundant assignment elimination
- Branch optimizations, control-flow simplification, delayed branches
- Loop induction variable optimizations, strength reduction
- Loop unrolling
- Loop rotation
- Loop invariant code motion
- Inline function expansion

## **Effective register use**

The TMS320C3x/C4x DSPs have a large and versatile set of registers. The compiler is designed to make effective use of the registers, for both general computations and in cases where specific registers can be used in specialized ways.

### **Register variables**

The compiler helps maximize the use of registers for storing local variables, parameters, and temporary values. Variables stored in registers can be accessed more efficiently than variables in memory. Register variables are particularly effective for pointers. See Example A–1 and Example A–2.

### **Register tracking/targeting**

The compiler tracks the contents of registers so that it avoids reloading values if they are used again soon. Variables, constants, and structure references such as (a.b) are tracked through both straight-line code and forward branches. The compiler also uses register targeting to compute expressions directly into specific registers when required, as in the case of assigning to register variables or returning values from functions. See Example A–1.



## Example A-1. Register Variables and Register Tracking/Targeting

```

int gvar;
reg(int i, int j)
{
 gvar = call () & i;
 j = gvar + i;

 return j;
}
}

* TMS320C30 C COMPILER Version X.XX *

; ac30 -mr al.c al.if
; opt30 -r -O2 al.if al.opt
; cg30 -p al.opt al.asm al.tmp
.version 30
FP .set AR3
 .globl _gvar
 .globl _reg

* FUNCTION DEF : _reg *

_reg:
 PUSH R4
*
* R4 assigned to parameter i
*
 LDI AR2,R4
 CALL _call
 AND R4,R0,R2
 STI R2,@_gvar
 ADDI R4,R2,R0
EPIO_1:
 POP R4
 RETS
 .globl _gvar
 .bss _gvar,1

* UNDEFINED REFERENCES *

 .globl _call
 .end

```

### ❑ **Cost-based register allocation**

The optimizer, when enabled, allocates registers to user variables and compiler temporary values according to their type, use, and frequency. Variables used within loops are weighted to have priority over others, and those variables whose uses don't overlap may be allocated to the same register. Variables with specific requirements are allocated into registers that can accommodate them. For example, the compiler tries to allocate loop counters into RC. The allocation algorithm also minimizes pipeline conflicts that can result from performing calculations using address generation registers in the vicinity of indirection.

### ❑ **Passing arguments in registers**

The compiler supports a new, optional calling sequence that passes arguments to registers rather than pushing them onto the stack. This can result in significant improvement in execution performance, especially if calls are important in the application. See Example A-5.

## ***Autoincrement addressing***

For pointer expressions of the form `*p++`, `*p--`, `*++p`, or `*--p`, the compiler uses efficient TMS320C3x/C4x autoincrement addressing modes. In many cases, where code steps through an array in a loop, such as `for (i = 0; i < N; ++i) a[i]...`, the loop optimizations convert the array references to indirect references through autoincremented register variable pointers. See Example A-2.

## ***Repeat blocks***

The TMS320C3x/C4x supports zero-overhead loops with the RPTS (repeat single) and RPTB (repeat block) instructions. With the optimizer, the compiler can detect loops controlled by counters and generate code for them using the efficient repeat forms: RPTS for single-instruction loops, or RPTB for larger loops. For both forms, the iteration count can be either a constant or an expression. See Example A-2 and Example A-8.

## ***Parallel instructions***

Several TMS320C3x/C4x instructions such as load/load, store/operate, and multiply/add can be paired with each other and executed in parallel. When adjacent instructions match the addressing requirements, the compiler combines them in parallel. Although the code generator performs this optimization, the optimizer greatly increases effectiveness because operands are more likely to be in registers. See Example A-2 and Example A-8.

**Example A–2. Repeat Blocks, Autoincrement Addressing, Parallel Instructions, Strength Reduction, Induction Variable Elimination, Register Variables, and Loop Test Replacement**

```

float a[10], b[10];
float dot_product ()
{
 int i;
 float sum;
 for (i=0; i<10; i++)
 sum += a[i] * b[i];
 return sum
}

* TMS320C30 C COMPILER Version X.XX *

; ac30 -mr a2.c a2.if
; opt30 -r -02 a2.if a2.opt
; cg30 -p a2.opt a2.asm a2.tmp
.version 30
FP .set AR3
 .globl _a
 .globl _b
 .globl _dot_product

* FUNCTION DEF : _dot_product *

_dot_product:
 PUSH AR4
*
* R2 assigned to variable sum
*
 LDI @CONST+0,AR4
 LDI @CONST+1,AR2
 MPYF *AR2++,*AR4++,R0
 RPTS 8
 ADDF R0,R2
 || MPYF *AR2++,*AR4++,R0
 ADDF R0,R2
 LDF R2,R0
EPI0_1:
 POP AR4
 RETS
 .globl _a
 .bss _a,10
 .globl _b
 .bss _b,10

* DEFINE CONSTANTS *

 .bss CONST,2
 .sect ".cinit"
 .word 2,CONST
 .word _a ;0
 .word _b ;1
 .end

```

## Conditional instructions

The load instructions in the TMS320C3x/C4x can be executed conditionally. For simple assignments such as

```
a = condition ? expr1 : expr2 or if (condition) a = b;
```

the compiler can use conditional loads to avoid costly branches.

## Delayed branches

The TMS320C3x/C4x provides delayed branch instructions that can be inserted three instructions early in an instruction stream, avoiding costly pipeline flushes associated with normal branches. The compiler uses unconditional delayed branches wherever possible, and conditional delayed branches for counting loops. See Example A–3.

### Example A–3. TMS320C3x/C4x Delayed Branch Instructions

```
wait(volatile int *p)
{
 for(;;)

 if (*p & 0x08) *p |= 0xF0
}

* TMS320C30 C COMPILER Version X.XX *

; ac30 -mr a3.c a3.if
; opt30 -r -02 a3.if a3.opt
; cg30 -p a3.opt a3.asm a3.tmp
 .version 30
FP .set AR3
 .globl _wait

* FUNCTION DEF : _wait *

_wait
*
* AR2 assigned to parameter p
*
L2
 LDI 8,R0
 TSTB R0,*AR2
 BZ L2
 LDI 240,R1
 OR R1,*AR2,R2
 STI R2,*AR2
*** B L2 ;BRANCH OCCURS
 .end
```

### ***TMS320C4x-specific features***

The TMS320C4x has several instructions and addressing modes that are particularly useful in compiled code. The instructions include store integer immediate (STIK), load address register (LDA), load data page pointer (LDPK), and a 32×32 integer multiply (MPYI). The new addressing modes allow constants and indirect+offset operands to be used in 3-operand instructions. In addition, separate AR interlocks eliminate the pipeline delays associated with independent use of the AR registers. Example A–4 illustrates some of the new 'C4x features.

## Example A-4. TMS320C4x-Specific Features

```

typedef struct S {int i, j, k; } s;
sval (s *p)
{
 p->j = 5;
 p->k *= 10;
 return p->i;
}

* TMS320C30 C COMPILER Version X.XX *

; ac30 -v40 a4.c a4.if
; opt30 -v40 -02 a4.if a4.opt
; cg30 -v40 a4.opt a4.asm a4.tmp
 .version 40
FP .set AR3
 .globl _sval

* FUNCTION DEF : _sval *

_sval
 PUSH FP
 LDI SP, FP
*
* AR2 assigned to parameter p
*
 LDA *-FP,(2),AR2
 STIK 5,*+AR2(1)
 MPYI 10,*+AR2(2),R0
 STI R0,*+AR2(2)
 LDI *AR2,R0
EPIO_1:
 LDI *-FP(1),R1
 BD R1
 LDI *FP,FP
 NOP
 SUBl 2,SP
 B R1 ;BRANCH OCCURS
 .end

```

### ***Expression simplification***

For optimal evaluation, the compiler simplifies expressions into equivalent forms requiring fewer instructions or registers. For example, the expression  $(a + b) - (c + d)$  requires 5 instructions and 2 registers to evaluate; it can be optimized to  $((a + b) - c) - d$ , which takes only 4 instructions and 1 register. Operations between constants are folded into single constants. For example,  $a = (b + 4) - (c + 1)$  becomes  $a = b - c + 3$ . See Example A-5.

### ***Alias disambiguation***

Programs written in the C language generally use many pointer variables. Frequently, compilers are unable to determine whether or not two or more l (lowercase L) values (symbols, pointer references, or structure references) refer to the same memory location. This *aliasing* of memory locations often prevents the compiler from retaining values in registers, because it cannot be sure that the register and memory continue to hold the same values over time. Alias disambiguation is a technique that determines when two pointer expressions cannot point to the same location, allowing the compiler to optimize such expressions.

## **Data-flow optimizations**

Collectively, the following three data-flow optimizations replace expressions with less costly ones, detect and remove unnecessary assignments, and avoid operations that produce values already computed. The optimizer performs these data flow optimizations both locally (within basic blocks) and globally (across entire functions). See Example A–5 and Example A–6.

### **□ Copy propagation**

Following an assignment to a variable, the compiler replaces references to the variable with its value. The value could be another variable, a constant, or a common subexpression. This may result in increased opportunities for constant folding, common subexpression elimination, or even total elimination of the variable. See Example A–5 and Example A–6.

### **□ Common subexpression elimination**

When the same value is produced by two or more expressions, the compiler computes the value once, saves it, and reuses it. See Example A–5.

### **□ Redundant assignment elimination**

Often, copy propagation and common subexpression elimination optimizations result in unnecessary assignments to variables (variables with no subsequent reference before another assignment or before the end of the function). The optimizer removes these dead assignments. See Example A–5.



## Example A-5. Data-Flow Optimizations

```

 simp(int j)
 {
 int a = 3;
 int b = (j * a) + (j * 2);
 int c = (j << a);
 int d = (j << 3) + (j << b);
 call(a,b,c,d);
 }

* TMS320C30 C COMPILER Version X.XX *

; ac30 -mr a5.c a5.if
; opt30 -r -O2 a5.if a5.opt
; cg30 -p a5.opt a5.asm a5.tmp
. version 30
FP .set AR3
 .globl _simp

* FUNCTION DEF : _simp *

_simp
*
* AR2 assigned to parameter j
*
 LDI 2,R0
 LSH R0,AR2,R1
 ADDI R1,AR2,R2
 LDI 3,R1
 LSH R1,AR2,R3
 LSH R2,AR2,RC
 ADDI R3,RC
 LDI 3,AR2
 CALL _call
EPIO_1:
 RETS

* UNDEFINED REFERENCES *

 .globl _call
 .end

```

### ***Branch optimizations / control-flow simplification***

The compiler analyzes the branching behavior of a program and rearranges the linear sequences of operations (basic blocks) to remove branches or redundant conditions. Unreachable code is deleted, branches to branches are bypassed, and conditional branches over unconditional branches are simplified to a single conditional branch. When the value of a condition can be determined at compile time (through copy propagation or other data flow analysis), a conditional branch can be deleted. Switch case lists are analyzed in the same way as conditional branches and are sometimes eliminated entirely. Some simple control-flow constructs can be reduced to conditional instructions, totally eliminating the need for branches. See Example A-6.

**Example A–6. Copy Propagation and Control-Flow Simplification**

```

fsm()
{
 enum { ALPHA, BETA, GAMMA, OMEGA } state = ALPHA;
 int *input;

 while (state != OMEGA)
 switch (state)
 {
 case ALPHA: state = (*input++ == 0) ? BETA: GAMMA; break;
 case BETA : state = (*input++ == 0) ? GAMMA: ALPHA; break;
 case GAMMA: state = (*input++ == 0) ? GAMMA: OMEGA; break;
 }
}

* TMS320C40 C COMPILER Version X.XX*

; ac30 -v40 a6.c a6.if
; opt30 -v40 -O2 a6.if a6.opt
; cg30 -v40 a6.opt a6.asm a6.tmp
 .version 40
FP .set AR3
 .globl _fsm
**** *****
* FUNCTION DEF : _fsm *

_fsm
*
* AR2 assigned to variable input
*
 LDI *AR2++,R0
 BNZ L4
L2:
 LDI *AR2++,R0
 BZ L4
 LDI AR2++,R0
 BZ L2
L4:
 LDI *AR2++,R0
 BZ L4
EPIO_1:
 RETS
 .end

```

**Loop induction variable optimizations / strength reduction**

Loop induction variables are variables whose value within a loop is directly related to the number of executions of the loop. Array indices and control variables of *for* loops are very often induction variables. Strength reduction is the process of replacing costly expressions involving induction variables with more efficient expressions. For example, code that indexes into a sequence of array elements is replaced with code that increments a pointer through the array. Loops controlled by incrementing a counter are written as TMS320C3x/C4x repeat blocks or by using efficient decrement-and-branch

instructions. Induction variable analysis and strength reduction together often remove all references to your loop control variable, allowing it to be eliminated entirely. See Example A–2 and Example A–8.

### Loop Unrolling

When the compiler can determine that a short loop is executed a low, constant number of times, it replicates the body of the loop rather than generating the loop. This avoids any branches or use of the repeat registers. (“Low” and “short” are subjective judgments made by the compiler.) See Example A–7.

#### Example A–7. Loop Unrolling

```

 add3(int a[3])
 {
 int i, sum = 0;
 for (i=0; i<3; i++) sum += a[i]
 return sum;
 }

* TMS320C30 C COMPILER Version X.XX*

; ac30 a7.c a7.if
; opt30 -02 a7.if a7.opt
; cg30 a7.opt a7.asm a7.tmp
FP .version 30
 .set AR3
 .globl _add3

* FUNCTION DEF : _add3 *

_add3:
 PUSH FP
 LDI SP, FP
*
* R2 assigned to variable sum
*
 LDI *-FP(2),AR2
 LDI 0,R2
 ADDI *AR2++,R2
 ADDI *AR2++,R2
 ADDI *AR2,R2
 LDI R2,R0
EPIO_1:
 LDI *-FP(1),R1
 BD R1
 LDI *FP,FP
 NOP
 SUBI 2,SP
*** B R1 ;BRANCH OCCURS
 .end

```

## Loop rotation

The compiler evaluates loop conditionals at the bottom of loops, saving a costly extra branch out of the loop. In many cases, the initial entry conditional check and the branch are optimized out.

## Loop invariant code motion

This optimization identifies expressions within loops that always compute the same value. The computation is moved in front of the loop, and each occurrence of the expression in the loop is replaced by a reference to the precomputed value. See Example A-8.

## Inline function expansion

The special keyword `inline` directs the compiler to replace calls to a function with inline code, saving the overhead associated with a function call as well as providing increased opportunities to apply other optimizations. See Example A-8 and Example A-9. The optimizer inlines small functions not declared as inline when invoked with the `-O3` option. The size of code growth allowed may be changed using the `-Osize` option.

### Example A-8. Inline Function Expansion, part one

```
inline blkcpy (char *to, char *from, int n)
{
 if (n > 0)
 do *to++ = *from++; while (--n != 0);
}
struct s {int a , b, c[10]; };
initstr (struct s *ps, char t[12])
{
 blkcpy((char *)ps, t, 12);
}
```



# The C I/O Functions

---

---

---

Some of the tasks that a C program performs (such as I/O, dynamic memory allocation, string operations, and trigonometric functions) are not part of the C language itself. However, the ANSI C standard defines a set of runtime-support functions that perform these tasks. The TMS320C3x/C4x C compiler implements the complete ANSI standard library, except for those facilities that handle exception conditions and locale issues (properties that depend on local language, nationality, or culture). Using the ANSI standard library ensures a consistent set of functions that provide for greater portability.

In addition to the ANSI-specified functions, the TMS320C3x/C4x runtime-support library includes routines that give you direct C language I/O requests.

| <b>Topic</b>                                              | <b>Page</b> |
|-----------------------------------------------------------|-------------|
| <b>B.1 Using the I/O Functions .....</b>                  | <b>B-2</b>  |
| <b>B.2 Overview of Low-Level I/O Implementation .....</b> | <b>B-3</b>  |
| <b>B.3 Adding a Device For C I/O .....</b>                | <b>B-5</b>  |

## B.1 Using the I/O Functions

The C I/O functions make it possible to access the host's operating system to perform I/O (using the debugger). For example, `printf` statements executed in a program appear in the debugger command window. When used in conjunction with the debugging tools, the capability to perform I/O on the host gives you more options when debugging and testing code.

To use the I/O functions:

- ❑ Include the header file `stdio.h` for each module that references a function.

With properly written device drivers, the library also offers facilities to perform I/O on a user-specified device.

If there is not enough space on the heap for a C I/O buffer, buffered operations on the file will fail. If a call to `printf()` mysteriously fails, this may be the reason. Check the size of the heap. To set the heap size, use the `-heap` option when linking. For information on the `-heap` option, see the *Linker Description* chapter of the *TMS320C3x/C4x Assembly Language Tools User's Guide*.

For example, given the following program in a file named `main.c`:

```
#include <stdio.h>

main()
{
 FILE *fid;

 fid = fopen("myfile", "w");
 fprintf(fid, "Hello, world\n");
 fclose(fid);

 printf("Hello again, world\n");
}
```

Issuing the following shell command compiles, links, and creates the file `main.out`:

```
c130 main.c -z -heap 400 -l rts.lib -o main.out
```

Executing `main.out` under the debugger on a SPARC host accomplishes the following:

- 1) Opens the file *myfile* in the directory where the debugger was invoked
- 2) Prints the string *Hello, world* into that file
- 3) Closes the file
- 4) Prints the string *Hello again, world* in the debugger command window



## B.2 Overview of Low-Level I/O Implementation

The code that implements I/O is logically divided into layers: high level, low level, and device level.

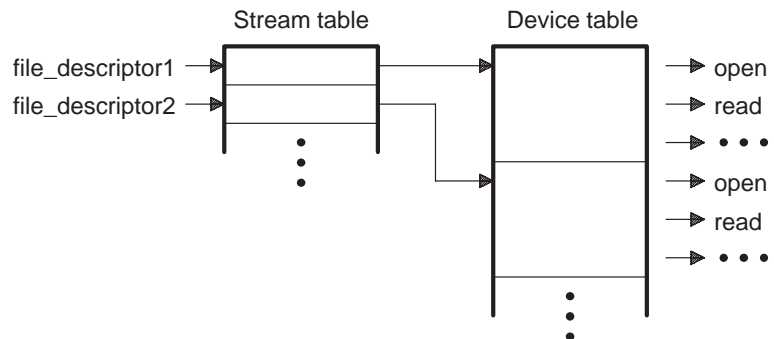
The high-level functions are the standard C library of stream I/O routines (`printf`, `scanf`, `fopen`, `getchar`, and so on). These routines map an I/O request to one or more of the I/O commands that are handled by the low-level routines.

The low-level routines are comprised of basic I/O functions: `OPEN`, `READ`, `WRITE`, `CLOSE`, `LSEEK`, `RENAME`, and `UNLINK`. These low-level routines are declared in `file.h` and provide the interface between the high-level functions and the device-level drivers that actually perform the I/O command on the specified device.

The low-level functions also define and maintain a stream table that associates a file descriptor with a device. The stream table interacts with the device table to ensure that an I/O command performed on a stream executes the correct device-level routine.

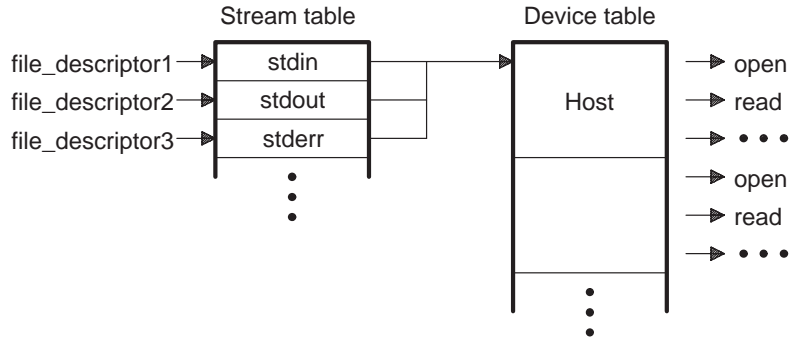
The data structures interact as shown in Figure B–1.

Figure B–1. Interaction of Data Structures in I/O Functions



The first three streams in the stream table are predefined to be stdin, stdout, and stderr, and they point to the host device and associated device drivers.

Figure B-2. The First Three Streams in the Stream Table



At the next level are the user-definable device-level drivers. They map directly to the low-level I/O functions. The runtime-support library includes the device drivers necessary to perform I/O on the host on which the debugger is running.

The specifications for writing device-level routines to interface with the low-level routines are shown on pages B-7 to B-10. Each function must set up and maintain its own data structures as needed. Some function definitions perform no action and just return.

## B.3 Adding a Device For C I/O

The low-level functions provide facilities that allow you to add and use a device for I/O at runtime. The procedure for using these facilities is:

- 1) Define the device-level functions as described in subsection B.2, *Overview of Low-Level I/O Implementation*, on page B-3.

### Note: Use Unique Function Names

The function names, OPEN, CLOSE, READ, and so on, are used by the low-level routines. Use other names for the device-level functions that you write.

- 2) Use the low-level function `add_device()` to add your device to the `device_table`. The device table is a statically-defined array that supports  $n$  devices, where  $n$  is defined by the macro `_NDEVICE` found in `stdio.h`. The structure representing a device is also defined in `stdio.h` and is composed of the following fields:

|                          |                                                                |
|--------------------------|----------------------------------------------------------------|
| <b>name</b>              | is the string for device name.                                 |
| <b>flags</b>             | specifies whether the device supports multiple streams or not. |
| <b>function pointers</b> | are pointers to the device-level functions:                    |
|                          | <input type="checkbox"/> CLOSE                                 |
|                          | <input type="checkbox"/> LSEEK                                 |
|                          | <input type="checkbox"/> OPEN                                  |
|                          | <input type="checkbox"/> READ                                  |
|                          | <input type="checkbox"/> RENAME                                |
|                          | <input type="checkbox"/> WRITE                                 |
|                          | <input type="checkbox"/> UNLINK                                |

The first entry in the device table is predefined to be the host device on which the debugger is running. The low-level routine `add_device()` finds the first empty position in the device table and initializes the device fields with the passed-in arguments. For a complete description, see the `add_device` function on page 5-23.

- 3) Once the device is added, call `fopen()` to open a stream and associate it with that device. Use `devicename:filename` as the first argument to `fopen()`.

The following program illustrates adding and using a device for C I/O:

```
#include <stdio.h>
/*****
/* Declarations of the user-defined device drivers */
*****/
extern int my_open(char *path, unsigned flags, int fno);
extern int my_close(int fno);
extern int my_read(int fno, char *buffer, unsigned count);
extern int my_write(int fno, char *buffer, unsigned count);
extern int my_lseek(int fno, long offset, int origin);
extern int my_unlink(char *path);
extern int my_rename(char *old_name, char *new_name);

main()
{
 FILE *fid;
 add_device("mydevice", _MSA, my_open, my_close, my_read, my_write, my_lseek,
 my_unlink, my_rename);

 fid = fopen("mydevice:test", "w");
 fprintf(fid, "Hello, world\n");

 fclose(fid);
}
```

**CLOSE***Close File or Device For I/O*

---

**Syntax**

```
int CLOSE(int file_descriptor);
```

**Description**

The CLOSE function closes the device or file associated with *file\_descriptor*.

The *file\_descriptor* is the stream number assigned by the low-level routines that is associated with the opened device or file.

**Return Value**

The function returns one of the following values:

0      if successful  
-1     if fails

**LSEEK***Set File Position Indicator*

---

**Syntax**

```
long LSEEK(int file_descriptor, long offset, int origin);
```

**Description**

The LSEEK function sets the file position indicator for the given file to *origin* + *offset*. The file position indicator measures the position in characters from the beginning of the file.

- The *file\_descriptor* is the stream number assigned by the low-level routines that the device-level driver must associate with the opened file or device.
- The *offset* indicates the relative offset from the *origin* in characters.
- The *origin* is used to indicate which of the base locations the *offset* is measured from. The *origin* must be a value returned by one of the following macros:

**SEEK\_SET** (0x0000) Beginning of file

**SEEK\_CUR** (0x0001) Current value of the file position indicator

**SEEK\_END** (0x0002) End of file

**Return Value**

The function returns one of the following values:

#      new value of the file-position indicator if successful  
EOF   if fails

**OPEN**

*Open File or Device For I/O*

---

**Syntax**

**int OPEN(char \*path, unsigned flags, int mode);**

**Description**

The OPEN function opens the device or file specified by *path* and prepares it for I/O.

- The *path* is the filename of the file to be opened, including path information.
- The *flags* are attributes that specify how the device or file is manipulated. The flags are specified using the following symbols:

```
O_RDONLY (0x0000) /* open for reading */
O_WRONLY (0x0001) /* open for writing */
O_RDWR (0x0002) /* open for read & write */
O_APPEND (0x0008) /* append on each write */
O_CREAT (0x0100) /* open with file create */
O_TRUNC (0x0200) /* open with truncation */
O_BINARY (0x8000) /* open in binary mode */
```

These parameters can be ignored in some cases, depending on how data is interpreted by the device. Note, however, that the high-level I/O calls look at how the file was opened in an fopen statement and prevent certain actions, depending on the open attributes.

- The *mode* is required but ignored.

**Return Value**

The function returns one of the following values:

- # stream number assigned by the low-level routines that the device-level driver associates with the opened file or device if successful
- < 0 if fails

**READ***Read Characters From Buffer*

---

**Syntax**

```
int READ(int file_descriptor, char *buffer, unsigned count);
```

**Description**

The READ function reads the number of characters specified by *count* to the *buffer* from the device or file associated with *file\_descriptor*.

- The *file\_descriptor* is the stream number assigned by the low-level routines that is associated with the opened file or device.
- The *buffer* is the location of the buffer where the read characters are placed.
- The *count* is the number of characters to read from the device or file.

**Return Value**

The function returns one of the following values:

- 0 if EOF was encountered before the read was complete
- # number of characters read in every other instance
- 1 if fails

**RENAME***Rename File*

---

**Syntax**

```
int RENAME(char *old_name, char *new_name);
```

**Description**

The RENAME function changes the name of a file.

- The *old\_name* is the current name of the file.
- The *new\_name* is the new name for the file.

**Return Value**

The function returns one of the following values:

- 0 if the rename is successful
- Non-0 if it fails

**UNLINK***Delete File*

---

**Syntax**

```
int UNLINK(char *path);
```

**Description**

The UNLINK function deletes the file specified by *path*.

The *path* is the filename of the file to be opened, including path information.

**Return Value**

The function returns one of the following values:

0      if successful  
-1     if fails

**WRITE***Write Characters to Buffer*

---

**Syntax**

```
int WRITE(int file_descriptor, char *buffer, unsigned count);
```

**Description**

The WRITE function writes the number of characters specified by *count* from the *buffer* to the device or file associated with *file\_descriptor*.

- The *file\_descriptor* is the stream number assigned by the low-level routines that is associated with the opened file or device.
- The *buffer* is the location of the buffer where the write characters are placed.
- The *count* is the number of characters to write to the device or file.

**Return Value**

The function returns one of the following values:

#      number of characters written is successful  
-1     if fails



# Glossary

---

---

---

## A

**aliasing:** a method of accessing a single data object in more than one way, as when a pointer points to a named object. The optimizer has logic to detect aliasing, but aliasing can cause problems for the optimizer.

**allocation:** A process in which the linker calculates the final memory addresses of output sections.

**archive library:** A collection of individual files that have been grouped into a single file.

**archiver:** A software program that allows you to collect several individual files into a single file called an archive library. The archiver also allows you to delete, extract, or replace members of the archive library, as well as to add new members.

**assembler:** A software program that creates a machine-language program from a source file that contains assembly language instructions, directives, and macro directives. The assembler substitutes absolute operation codes for symbolic operation codes, and absolute or relocatable addresses for symbolic addresses.

**assignment statement:** A statement that assigns a value to a variable.

**autoinitialization:** The process of initializing global C variables (contained in the `.cinit` section) before beginning program execution.

## B

**binding:** Associating or linking together two complementary software objects.

**block:** A set of declarations and statements that are grouped together with braces.

**.bss:** One of the default COFF sections. You can use the `.bss` directive to reserve a specified amount of space in the memory map that can later be used for storing data. The `.bss` section is uninitialized.

## C

**C compiler:** A program that translates C source statements into TMS320C3x/C4x assembly language source statements.

**COFF (common object file format):** A binary object file format that promotes modular programming by supporting the concept of *sections*.

**comment:** A source statement (or portion of a source statement) that is used to document or improve readability of a source file. Comments are not compiled, assembled, or linked; they have no effect on the object file.

**constant:** A numeric value that can be used as an operand.

**cross-reference lister:** A debugging tool that accepts linked object files as input and produces cross-reference listings as output.

**cross-reference listing:** An output file created by the assembler that lists the symbols that were defined, what line they were defined on, which lines referenced them, and their final values.

## D

**.data:** One of the default COFF sections. The `.data` section is an initialized section that contains initialized data. You can use the `.data` directive to assemble code into the `.data` section.

**directive:** Special-purpose commands that control the actions and functions of a software tool (as opposed to assembly language instructions, which control the actions of a device).

## E

**environment variables:** System symbols that you define and assign to a string. They are usually included in various batch files; for example, in `AUTOEXEC.BAT`.

**entry point:** The starting execution point in target memory.

**executable module:** An object file that has been linked and can be executed in a TMS320 system.

**expression:** A constant, a symbol, or a series of constants and symbols separated by arithmetic operators.

**F**

**field:** For the TMS320, a software-configurable data type whose length can be programmed to be any value in the range of 1–16 bits.

**G**

**global:** A kind of symbol that is either 1) defined in the current module and accessed in another, or 2) accessed in the current module but defined in another.

**H**

**high-level language debugging:** The ability of a compiler to retain symbolic and high-level language information (such as type and function definitions) so that a debugging tool can use this information.

**hole:** An area between the input sections that compose an output section that contains no actual code or data.

**I**

**initialized section:** A COFF section that contains executable code or initialized data. An initialized section can be built up with the `.data`, `.text`, or `.sect` directive.

**input section:** A section from an object file that will be linked into an executable module.

**K**

**K & R:** *The C Programming Language* (second edition), by Brian Kernighan and Dennis M. Ritchie, published by Prentice-Hall, Englewood Cliffs, New Jersey, 1988. This book describes ANSI C and is used as a reference in this book. Paragraphs within the book are referred to with this symbol: §.

**L**

**label:** A symbol that begins in column 1 of a source statement and corresponds to the address of that statement.

**linker:** A software tool that combines object files to form an object module that can be allocated into TMS320 system memory and executed by the TMS320.

**listing file:** An output file, created by the assembler, that lists source statements, their line numbers, and their effects on the SPC.

**loader:** A device that loads an executable module into TMS320 system memory.

## M

**macro:** A user-defined routine that can be used as an instruction.

**macro call:** The process of invoking a macro.

**macro definition:** A block of source statements that define the name and the code that make up a macro.

**macro expansion:** The source statements that are substituted for the macro call and are subsequently assembled.

**map file:** An output file, created by the linker, that shows the memory configuration, section composition, and section allocation, as well as symbols and the addresses at which they were defined.

**member:** The elements or variables of a structure, union, archive, or enumeration.

**memory map:** A map of TMS320 target system memory space, which is partitioned off into functional blocks.

## O

**object file:** A file that has been assembled or linked and contains machine-language object code.

**object library:** An archive library made up of individual object files.

**operand:** The arguments, or parameters, of an assembly language instruction, assembler directive, or macro directive.

**options:** Command parameters that allow you to request additional or specific functions when you invoke a software tool.

**output module:** A linked, executable object file that can be downloaded and executed on a target system.

**output section:** A final, allocated section in a linked, executable module.

**P**

**protected mode:** Thirty-two bit extended DOS mode. These programs require an extended memory manager and will run only on larger processors ('386 or better). They can utilize all the available RAM on the computer.

**R**

**RAM model:** An autoinitialization model used by the linker when linking C code. The linker uses this model when you invoke the linker with the `-cr` option. The RAM model allows variables to be initialized at load time instead of runtime.

**real mode:** Sixteen-bit native MS-DOS mode. This mode limits the available memory to 640K. Calls to DOS may involve switching from protected to real mode.

**ROM model:** An autoinitialization model used by the linker when linking C code. The linker uses this model when you invoke the linker with the `-c` option. In the ROM model, the linker loads the `.cinit` section of data tables into memory, and variables are initialized at runtime.

**S**

**section:** A relocatable block of code or data that will ultimately occupy contiguous space in the TMS320 memory map.

**section header:** A portion of a COFF object file that contains information about a section in the file. Each section has its own header; the header points to the section's starting address, contains the section's size, etc.

**static:** A kind of variable whose scope is confined to a function or a program. The values of static variables are not discarded when the function or program is exited; their previous value is resumed when the function or program is re-entered.

**structure:** A collection of one or more variables grouped together under a single name.

**symbol:** A string of alphanumeric characters that represents an address or a value.

**symbolic debugging:** The ability of a software tool to retain symbolic information so that it can be used by a debugging tool such as a simulator or an emulator.

**symbol table:** A portion of a COFF object file that contains information about the symbols that are defined and used by the file.

## U

**uninitialized section:** A COFF section that reserves space in the TMS320 memory map but that has no actual contents. These sections are built up with the `.bss` and `.usect` directives.

**union:** A variable that may hold (at different times) objects of different types and sizes.

**unsigned:** A kind of value that is treated as a positive number, regardless of its actual sign.

## V

**virtual memory :** The ability for a program to use more memory than a computer actually has available as RAM. This is accomplished by using a swap file on disk to augment RAM. When RAM is not sufficient, part of the program is swapped out to a disk file until it is needed again. The combination of the swap file and available RAM is the virtual memory. The TMS320C3x/C4x tools use a memory extender to provide virtual memory management. This memory extender is not provided as an executable but is embedded in several of the object programs.

## W

**word:** A 32-bit addressable location in target memory.

# Summary of Updates in This Document

---

---

---

This appendix provides a summary of the updates in this version of the document. Updates within paragraphs appear in a **bold typeface**.

**Page:            Change or Add:**

2-6            Add one row (-msrevx) s to the General Shell Option section of Table 2-1, *Compiler Options Summary Table*.

2-6            Add note (see also -msrev) to the -vxx option

| General Shell Options                                                                               | Option                                                                            | Effect                                                                                                                                                   |
|-----------------------------------------------------------------------------------------------------|-----------------------------------------------------------------------------------|----------------------------------------------------------------------------------------------------------------------------------------------------------|
| These options control the overall operation of the cl30 shell. For more information, see page 2-11. | -@filename                                                                        | causes the compiler shell to read options from the specified file                                                                                        |
|                                                                                                     | -c                                                                                | no linking (negates -z)                                                                                                                                  |
|                                                                                                     | -dname[=def]                                                                      | predefine a constant                                                                                                                                     |
|                                                                                                     | -g                                                                                | enable symbolic debugging                                                                                                                                |
|                                                                                                     | -idir                                                                             | define #include search path                                                                                                                              |
|                                                                                                     | -k                                                                                | keep .asm file                                                                                                                                           |
|                                                                                                     | -msrevx                                                                           | specifies the silicon revision of the target chip to enable additional functionality for more recent silicon releases. Used in conjunction with -v flag. |
|                                                                                                     |                                                                                   | Example:<br>-msrev6 -v31 : enable new (1996) 'C31 parallel instructions<br>-msrev2 -v32 : enable new (1996) 'C32 parallel instructions                   |
|                                                                                                     | -n                                                                                | compile only (create .asm file)                                                                                                                          |
|                                                                                                     | -q                                                                                | suppress progress messages (quiet)                                                                                                                       |
|                                                                                                     | -qq                                                                               | suppress all messages (super quiet)                                                                                                                      |
|                                                                                                     | -s                                                                                | interlist optimizer comments and assembly source statements if available; otherwise interlist C and assembly source statements                           |
|                                                                                                     | -ss                                                                               | interlist C and assembly source statements                                                                                                               |
|                                                                                                     | -uname                                                                            | undefine a constant                                                                                                                                      |
| -vxx                                                                                                | specify processor; xx = 30, 31, 32, 40, or 44 (default is -v30) (see also -msrev) |                                                                                                                                                          |
| -z                                                                                                  | enable linking (all options following are passed to linker)                       |                                                                                                                                                          |

2-62            Specify silicon revision (see -msrev in shell)



### 3.1. Keywords

#### Page:           Change or Add:

3–1           Add Section 3.3, Keywords, to the mini table of contents.

3–7           Add Section 3.3, Keywords, with subsection `register` Keyword and subsection near and far keywords.

#### 3.1.1 The `register` Keyword

The TMS320C3x/C4x compiler extends the C language by adding the `register` keyword to allow high level language access to control registers.

When you use the `register` keyword on an object, the compiler compares the name of the object to a list of standard control registers for the 'C3x/C4x (see Table 3–2). If the name matches, the compiler generates the code to reference the control register. If the name does not match, the compiler issues an error.

Table 3–2. Valid Control Registers

| Register | Description                       |
|----------|-----------------------------------|
| IE       | CPU/DMS interrupt enable register |
| IF       | CPU interrupt flag register       |
| IOF      | I/O flags                         |
| ST       | Status register                   |

The `register` keyword can only be used in file scope. The `register` keyword is not allowed on any declaration within the boundaries of a function. It can only be used on objects of type integer or pointer. The `register` keyword is not allowed on objects of any floating-point type or on any structure or union object.

The `register` keyword does not imply that the object is volatile. If the control register being referenced is volatile (that is, can be modified by some external control), then the object should be declared with the `volatile` keyword also.

To use a control register in Table 3–2, you must declare each register (with or without `volatile`) as follows:

```
extern register volatile unsigned int register;
```

Once you have declared the register, you can use the register name directly. See *TMS320C3x/C4x CPU and Instruction Set Reference Guide* for detailed information on the control registers.

### Example 3–1. Define and Use Control Registers

```
extern cregister volatile unsigned int IE;
extern cregister volatile unsigned int IF;
extern cregister volatile unsigned int IOF;
extern cregister volatile unsigned int ST;

unsigned myfunc (unsigned int mask)
{
 while (ST & mask == 0)
 /* Do nothing; wait */;
 return IOF;
}
```

### 3.3.2 The near and far Keywords

The 'C3x/C4x C compiler extends the C language with the near and far keywords to specify how global and static variables are accessed and how functions are called.

Syntactically, the near and far keywords are treated as storage class modifiers. They can appear before, after, or in between the storage class specifiers and types. Two storage class modifiers cannot be used together in a single declaration. For example, the following are legal uses:

```
far static int x;
static near int x;
static int far x;
far int foo ();
static far int foo ()
```

#### ***Near and far data objects***

Global and static data objects can be accessed in the following two ways:

**near keyword**      The compiler assumes that the data item can be accessed relative to the data page pointer. For example:

```
sti ro, @_var
```

**far keyword**      The compiler cannot access the data item via the dp. This can be required if the total amount of program data is larger than the offset allowed (32K) from the DP. For example:

```
ldiu @c11, aro
sti ro, *aro
```

where c11 in the .bss holds the address of the variable.

By default, the compiler generates small-memory model code, which means that every data object is handled as if it were declared near, unless it is actually declared far. If an object is declared near, it is normally loaded using relative offset addressing from the data page pointer (DP, which is B14). DP points to the beginning of the .bss section. If the options `-ml`, `-mb`, or `-mf` are used, the default assumptions change. See those options for how their usage changes the defaults of the standard memory model.

If you use the `DATA_SECTION` pragma, the object is indicated as a far variable, and this cannot be overridden. This ensures access to the variable, since the variable might not be on the same data page as the .bss section. See section 3.5.2, *The DATA\_SECTION pragma*, on page 3-13.

### ***Near and far function calls***

Function calls can be invoked in one of two ways:

**near keyword**      The compiler assumes that the destination of the call is within  $2^{24}$  bytes of the caller. Here, the compiler uses the PC-relative call instruction.

```
call _func
```

**far keyword**      The compiler is told by the user that the call is not within  $2^{24}$  bytes of the caller, and the compiler uses the register addressing mode of the call instruction.

```
ldiu @c11, ro
callu ro
.
.
.
```

where constant `c11` in the .bss holds the address of the function.

By default, the compiler generates small-memory model code, which means that every function call is handled as if it were declared near, unless it is actually declared far. The default changes, however, when options `-ml`, `-mf`, or `-mb` are used.

**Page:**            **Change or Add:**

4-31            Change the last four lines of the EXIT code example.

**Exit**

```
POP AR4 ; restore AR4
POPF R4 ; restore upper 32 bits of R4
POP R4 ; restore lower 32 bits of R4
POPF R3 ; restore upper 32 bits of R3
POP R3 ; restore lower 32 bits of R3
SUBI 2,SP ; deallocate local frame
POP FP ; restore Frame Pointer
POP ST ; restore SStatus register
reti
```

B-2            Cut the second bullet for the *Using the I/O Functions* section.

**Page:            Change or Add:**

The following is the list of known bugs fixed for this release, R5.10. Please refer to the appropriate contact on the If You Need Assistance page of this manual for more information.

| <b>Bug number</b> | <b>Description</b>                                                                        |
|-------------------|-------------------------------------------------------------------------------------------|
| SDSsq02943        | How should the SET COND bit be set in the C4x ST reg for the C Compiler?                  |
| SDSsq03255        | Passing -g to asm30 does not work with current Debuggers                                  |
| SDSsq03762        | Command file for Ink30 does not allow embedded "-" in file name                           |
| SDSsq03767        | Archiver does not allow a default .obj extension                                          |
| SDSsq03797        | .sym debug information contains wrong offset                                              |
| SDSsq03799        | get incorrect results for long doubles divide operation                                   |
| SDSsq03814        | TMS320C3x User's Guide documents -gsrev6 switch                                           |
| SDSsq03879        | Codegen creates illegal parallel instruction subf3    stf                                 |
| SDSsq03888        | Compiler generate "decomposition error" on sample code                                    |
| SDSsq03890        | Logical AND operator bug in v. 5.00, works ok in v. 4.70                                  |
| SDSsq03897        | optimization level 2 is not as effective as optimization level 1.                         |
| SDSsq03908        | Optimization appears to use direct instead of indirect addressing                         |
| SDSsq03910        | Hex3- -byte option, doesn't work with 5.0, worked fine with 4.7 see detail file's.        |
| SDSsq03921        | C Compiler generates wrong Assembly code for the #line Statement                          |
| SDSsq03982        | COMPILER ERROR: Unsupported constant operand for LDP                                      |
| SDSsq03985        | optimizer generates wrong starting address for structure element                          |
| SDSsq03988        | When linking a debugger MemBlk Save .obj file, >> out of memory, aborting                 |
| SDSsq03993        | Assembler Generates incorrect "P" parallel-addressing mode 01 instead of 11; MPYF3  SUBF3 |
| SDSsq04019        | Far function call generates invalid addresses in big memory configuration                 |
| SDSsq04024        | Compiler removes circular buffer references from asm (" ") statements                     |
| SDSsq04084        | pragma DATA_SECTION generates code incorrectly for v5.0 when small mem model              |

| <b>Bug number</b> | <b>Description</b>                                                          |
|-------------------|-----------------------------------------------------------------------------|
| SDSsq04151        | The year, tm_year, in ret.src will print as 3 digits after year 2000        |
| SDSsq04155        | Compiler generates incorrect code using register passing model.             |
| SDSsq04164        | PRTS30 macros for SWW control are incorrect                                 |
| SDSsq04166        | Compiler allocating RS/RC/RE inside c_intxx()'s                             |
| SDSsq04172        | C4x 32-Bit FP Divide Routine DIV_F40 has error                              |
| SDSsq04373        | Codegen adds errant adds into assembly code                                 |
| SDSsq04202        | With -mf, compiler generates bad shifts                                     |
| SDSsq04215        | Incorrect code generated for calls to ISR and functions; ST not popped last |
| SDSsq04219        | compiler code calls MOD_I40 instead of MOD_U40                              |
| SDSsq04227        | Incorrect code generated for array reference using -o2                      |
| SDSsq04261        | INCOMPATIBLE ADDRESSING MODES generated with -O2 switch used                |
| SDSsq04296        | Assembler swaps operands for MPYF3    ADDF3                                 |
| SDSsq04298        | RTS has general errors/nuisances                                            |
| SDSsq04301        | Compiler inserts unneeded .aligns into .const section, wastes space         |
| SDSsq04257        | Compiler uses inefficient FP divide vs 4.70                                 |
| SDSsq04338        | Compiler is generating illegal code                                         |
| SDSsq04378        | Compiler does not account for second word of long double when optimizing    |

**Page:            Change or Add:**

The following is the list of bugs closed for this release:

| <b>Bugs</b> | <b>Description</b>                                                               |
|-------------|----------------------------------------------------------------------------------|
| SDSsq02750  | Enhancement request for error and warning summary                                |
| SDSsq02751  | Request to change the function of the block keyword                              |
| SDSsq02917  | Documentation incomplete                                                         |
| SDSsq02633  | Problem with STF; Need option to do RND before STF                               |
| SDSsq02964  | ISR's should use more ARx's than Rx's to reduce push/pops                        |
| SDSsq02965  | switch (var & 7) generates useless default case                                  |
| SDSsq02966  | data & prog on same page = direct addressing                                     |
| SDSsq02967  | Allow assembly DATA in non-standard sections                                     |
| SDSsq02969  | Assembler should warn of possible parallelism                                    |
| SDSsq03152  | Add capabilities to support quoted strings in packed .string ASM directv         |
| SDSsq03153  | Add capability for packed char/int arrays to save memory                         |
| SDSsq03247  | Sometimes the map and stdout do not report eh .cinit section.                    |
| SDSsq03257  | Wants to be able to use a C header to make assembly .struct directives           |
| SDSsq03258  | Optimize the c_intxx() functions                                                 |
| SDSsq03333  | customer has problem compiling following code with v4.70                         |
| SDSsq03492  | strtod() function does not give accurate results                                 |
| SDSsq03570  | Invalid Divide Routine                                                           |
| SDSsq03644  | Request for compiler to be able to place init data in named sections             |
| SDSsq03645  | Request for compiler to allow packed bytes                                       |
| SDSsq03788  | Symbol "pinit" at address FFFFFFFF appears in link map                           |
| SDSsq03798  | Encoding of MPYF  SUBF changed from v4.7                                         |
| SDSsq03892  | preprocessing does not work correctly for conditional compilations               |
| SDSsq03896  | asm(" ") statement with circular addressing not compiled corrected by C compiler |
| SDSsq03909  | When converting to ascii-hex format, sometimes places entry point in output file |

| <b>Bugs</b> | <b>Description</b>                                                              |
|-------------|---------------------------------------------------------------------------------|
| SDSsq03911  | Error when compiling code with #line preprocessor command                       |
| SDSsq04011  | enhancement request – 40bit precision in register variable calls                |
| SDSsq04090  | v.5.00 ASM30 generates an INDIRECT ADDRESS REQUIRED error that v.4.70 does not. |
| SDSsq04165  | Differences from V4.70 to V5.00                                                 |
| SDSsq04167  | Inline memcpy being generated in c_intxx()'s                                    |
| SDSsq04220  | Optimizer ignores –onx from shell command line and –z from opt30 command line.  |
| SDSsq04347  | The #pragma CODE_SECTION doesn't work                                           |



## A

- a linker option, 2-24
- aa compiler option, 2-23
- abort function, 5-22
- abs function, 5-22
  - as intrinsic, 2-54
- absolute value, 5-22, 5-36
- ac30, 2-57
- acos function, 5-22
- ad compiler option, 2-23
- add\_device function, 5-23
- al compiler option, 2-23
- aliased variables, 2-20
- aliasing, 2-42
- alternate directories for include files, 2-33
- ANSI C, 3-1–3-25, 5-64, 5-66
- ansi\_ftoi, 2-54
- ar linker option, 2-24
- AR0 (FP), 4-4
- AR1 (SP), 4-4
- arc cosine, 5-22
- arc sine, 5-25
- arc tangent, 5-27
- archive library, 2-68
- archiver, 1-3
- as compiler option, 2-23
- ASCII conversion functions, 5-28
- asctime function, 5-25, 5-34
- asin function, 5-25
- .asm extension, 2-14, 2-62
- asm statement, 2-41, 4-28
  - C language, 3-17
- assembler, 1-3, 2-57
  - options, 2-23

- assembler options, 2-23
- assembly language and C source statements, 2-49
- assembly language modules, 4-22
- assert function, 5-26
- assert.h header, 5-4, 5-14
- atan function, 5-27
- atan2 function, 5-27
- atexit function, 5-27, 5-36
- atof function, 5-28
- atoi function, 5-28
- atol function, 5-28
- au compiler option, 2-23
- autoinitialization, 2-69, 4-6, 4-37, 4-39
  - RAM model, 2-69, 4-37, 4-38
  - ROM model, 2-69, 4-37, 4-39
- ax compiler option, 2-23

## B

- b interlist utility option, 2-64
- b linker option, 2-24
- base-10 logarithm, 5-47
- big memory model, 2-20
- \_BIGMODEL, 2-31
- bit fields, 3-3, 3-23
- block linker directive, using to force .bss into a 64K data page, 2-36
- bmalloc function, 5-29
- bmalloc16 function, 5-29
- bmalloc8 function, 5-29
- boot.obj, 2-68, 2-69
- branch delay slot filling, 3-21
- broken-down time, 5-11, 5-34, 5-52
- bsearch function, 5-30
- .bss section, 2-70, 4-3
  - forcing into a 64K data page, 2-36

## buffer

- define and associate function, 5-61
- specification function, 5-59

BUFSIZE macro, 5-9

**C**

-c compiler option, 2-12, 2-28, 2-67

.c extension, 2-4, 2-57

C language, characteristics, 3-2

--c library build utility option, 6-2

-c linker option, 2-24, 2-65, 2-66, 2-69

C source statements and assembly language, 2-49

C\_DIR environment variable, 2-33

\_c\_int0, 2-69

C\_OPTION environment variable, 2-12, 2-28

\_C30, 2-31

\_C31, 2-31

\_C3x, 2-31

\_C40, 2-31

\_C4x, 2-31

calendar time, 5-11, 5-34, 5-52, 5-76

calloc function, 4-4, 5-31, 5-41, 5-51

calloc16 function, 5-31

calloc8 function, 5-31

ceil function, 5-32

cg30, 2-62

## character

- conversion functions, a number of characters, 5-74
- read function, multiple characters, 5-38
- read functions, single character, 5-38

character constants, 3-23

character sets, 3-2

character-typing conversion functions, 5-5, 5-14

isalnum, 5-45

isalpha, 5-45

isascii, 5-45

iscntrl, 5-45

isdigit, 5-45

isgraph, 5-45

islower, 5-45

isprint, 5-45

ispunct, 5-45

isspace, 5-45

isupper, 5-45

isxdigit, 5-45

toascii, 5-76

tolower, 5-77

toupper, 5-77

.cinit section, 2-69, 2-70, 4-2, 4-38

.cl extension, 2-64

clear EOF function, 5-32

clearerr function, 5-32

clist, 2-64

CLK\_TCK macro, 5-11, 5-33

clock function, 5-33

clock\_t type, 5-11

close file function, 5-37

CLOSE I/O function, B-7

code generator, 2-56, 2-62

options, 2-63

code-E error messages, 2-16, 2-51

code-F error messages, 2-51

code-I error messages, 2-52

code-W error messages, 2-51

CODE\_SECTION pragma, 3-12

compare strings, 5-69

compatibility, 3-22–3-23

## compiler

branch delay slot filling, 3-21

description, 2-1–2-75

error handling, 2-51

far calls, 3-20

intrinsics support, 2-54

invoking the, 2-3

limits, 3-24–3-25

optimizer, 2-56

options, 2-5, 2-12–2-75

overview, 2-56

running as separate passes, 2-56–2-64

sections, 2-70

compiling C code, 2-2

concatenate strings, 5-63, 5-68

.const section, 3-18, 4-2

constants, C language, 3-2

conversions, 3-3, 5-5

C language, 3-3

cos function, 5-33

cosh function, 5-34

cosine, 5-33

-cr linker option, 2-24, 2-66, 2-69, 4-6

ctime function, 5-34

ctype.h header, 5-5, 5-14

**D**

- d compiler option, 2-12
- .data section, 4-3
- data types, C language, 3-2, 3-4–3-6
- DATA\_SECTION pragma, 3-13
- \_\_DATE\_\_, 2-31
- daylight savings time, 5-11
- debugging optimized code, 2-40
- declarations, C language, 3-3
- default argument promotions, 2-19
- defining variables in assembly language, 4-25
- device
  - adding, B-5
  - functions, 5-23
- diagnostic information, 5-26
- diagnostic messages, 5-4
  - assert, 5-26
  - NDEBUG macro. *See* NDEBUG macro
- difftime function, 5-34
- div function, 5-35
- div\_t type, 5-10
- division, 3-3
- dspcl, 2-3
- dynamic memory allocation, 4-4

**E**

- e compiler option, 2-4, 2-14
  - ea, 2-14
  - eo, 2-14
- e linker option, 2-24
- EDOM macro, 5-5
- entry points
  - \_c\_int0, 2-69
  - for C code, 2-69
  - reset vector, 2-69
- enumerator list, trailing comma, 3-23
- environment information function, 5-44
- environment variable, 2-28, 2-33
  - C\_DIR, 2-32, 2-33
  - C\_OPTION, 2-28
  - TMP, 2-28
- EOF macro, 5-9
- EPROM programmer, 1-4

- ERANGE macro, 5-5
- errno.h header, 5-5
- error
  - indicators function, 5-32
  - mapping function, 5-53
- error handling, 2-51–2-53, 3-22
  - using error options, 2-53
- error message macros, 5-14
  - assert, 5-26
- error messages
  - code-E, 2-51
  - code-F, 2-51
  - code-I, 2-52
  - code-W, 2-51
  - general, 2-52
- error options, 2-53
- error reporting, 5-5
- errors treated as warnings, 2-52
- escape sequences, 3-2, 3-23
- exit function, 5-22, 5-27, 5-36
- exp function, 5-36
- exponential math function, 5-8, 5-36
- expressions, 3-3
  - C language, 3-3
- external declarations, 3-22

**F**

- f compiler option, 2-4, 2-15
  - fa, 2-15
  - fc, 2-15
  - fo, 2-15
- f linker option, 2-24
- fa file specifier, 2-15
- fabs function, 5-36
  - as intrinsic, 2-54
- far calls, 3-20
- fast\_ftoi intrinsic, 2-54
- fast\_imult intrinsic, 2-54
- fast\_invf intrinsic, 2-54
- fatal errors, 2-51, 2-52
- fc file specifier, 2-15
- fclose function, 5-37
- feof function, 5-37
- error function, 5-37
- fflush function, 5-37

- fgetc function, 5-38
  - fgetpos function, 5-38
  - fgets function, 5-38
  - file
    - removal function, 5-58
    - rename function, 5-58
  - FILE data type, 5-9
  - file extension, 2-14
    - ea option, 2-14
    - eo option, 2-14
  - file specifier options, 2-14
    - e option, 2-14
    - f option, 2-15
  - file.h header, 5-5
  - \_\_FILE\_\_, 2-31
  - filename, generate function, 5-76
  - filename extensions, 2-4
  - filename specifications, 2-4
  - FILENAME\_MAX macro, 5-9
  - flib.lib, 2-68
  - float.h header, 5-6
  - .float40 section, 3-6
  - floating-point math functions, 5-8, 5-14, 5-15
    - acos, 5-22
    - asin, 5-25
    - atan, 5-27
    - atan2, 5-27
    - ceil, 5-32
    - cos, 5-33
    - cosh, 5-34
    - exp, 5-36
    - fabs, 5-36
    - floor, 5-39
    - fmod, 5-39
    - frexp, 5-42
    - ldexp, 5-46
    - log, 5-46
    - log10, 5-47
    - modf, 5-53
    - pow, 5-54
    - sinh, 5-62
    - sqrt, 5-62
    - tan, 5-75
    - tanh, 5-75
  - floating-point remainder, 5-39
  - floor function, 5-39
  - flush I/O buffer function, 5-37
  - fmod function, 5-39
    - fo file specifier option, 2-15
  - fopen function, 5-39
  - FOPEN\_MAX macro, 5-9
  - FP register, 4-4, 4-11
  - fpos\_t data type, 5-9
  - fprintf function, 5-40
  - fputc function, 5-40
  - fputs function, 5-40
    - fr file specifier option, 2-15
  - fread function, 5-40
  - free function, 5-41
  - free16 function, 5-41
  - free8 function, 5-41
  - freopen function, described, 5-41
  - frexp function, 5-42
  - frieee intrinsic, 2-54
    - fs file specifier option, 2-15
  - fscanf function, 5-42
  - fseek function, 5-42
  - fsetpos function, 5-43
    - ft file specifier option, 2-15
  - ftell function, 5-43
  - FUNC\_CANNOT\_INLINE pragma, 3-13
  - FUNC\_EXT\_CALLED pragma, 3-14
  - FUNC\_IS\_PURE pragma, 3-14
  - FUNC\_IS\_SYSTEM pragma, 3-15
  - FUNC\_NEVER\_RETURNS pragma, 3-15
  - FUNC\_NO\_GLOBAL\_ASG pragma, 3-15
  - FUNC\_NO\_IND\_ASG pragma, 3-16
  - function call conventions, 4-15–4-21
  - function calls, using the stack, 4-3
  - function prototypes, 2-19, 3-22
    - listing file, 2-16
  - fwrite function, 5-43
- G**
- g compiler option, 2-12
  - g linker option, 2-24
  - general utility functions, 5-10, 5-17
    - abort, 5-22
    - abs, 5-22
    - atexit, 5-27
    - atof, 5-28

- atoi, 5-28
- atol, 5-28
- bmalloc, 5-29
- bsearch, 5-30
- calloc, 5-31
- div, 5-35
- exit, 5-36
- free, 5-41
- labs, 5-22
- ldiv, 5-35
- ltoa, 5-47
- malloc, 5-48
- minit, 5-51
- qsort, 5-56
- rand, 5-57
- realloc, 5-57, 5-61
- srand, 5-57
- strtod, 5-73
- strtol, 5-73
- strtoul, 5-73
- generating a preprocessed listing file, 2-16
- generating symbolic debugging directives, 2-12
- get file-position function, 5-43
- getc function, 5-43
- getchar function, 5-44
- getenv function, 5-44
- gets function, 5-44
- global variables, 3-18
  - reserved space, 4-2
- gmtime function, 5-44
- gregorian time, 5-11

## H

- –h library build utility option, 6-2
- h linker option, 2-24
- header files, 5-4–5-12
  - assert.h header, 5-4
  - ctype.h header, 5-5
  - errno.h header, 5-5
  - file.h header, 5-5
  - float.h header, 5-6
  - limits.h header, 5-6
  - math.h header, 5-8
  - setjmp.h header, 5-60
  - stdarg.h header, 5-8
  - stddef.h header, 5-9
  - stdio.h header, 5-9
  - stdlib.h header, 5-10
  - string.h header, 5-11
  - time.h header, 5-11
- heap, 4-4
  - reserved space, 4-3
- heap linker option, 2-24, 5-29, 5-48
- heap16 linker option, 2-24
- heap8 linker option, 2-24
- hex conversion utility, 1-4
- HUGE\_VAL, 5-8
- hyperbolic cosine, 5-34
- hyperbolic math function, 5-8
- hyperbolic sine, 5-62
- hyperbolic tangent, 5-75

## I

- i compiler option, 2-32, 2-33
- i linker option, 2-25

### I/O

- adding a device, B-5
- definitions, low-level, 5-5
- described, 5-5, B-2
- functions
  - CLOSE*, B-7
  - flush buffer*, 5-37
  - LSEEK*, B-7
  - OPEN*, B-8
  - READ*, B-9
  - RENAME*, B-9
  - UNLINK*, B-10
  - WRITE*, B-10
- implementation overview, B-3

I/O functions, 5-15

identifiers, C language, 3-2

–idir compiler option, 2-12

.if extension, 2-57, 2-60, 2-62

implementation errors, 2-52

implementation-defined behavior, 3-2–3-3

#include files, 2-30, 2-32

- adding a directory to be searched, 2-12

#include preprocessor directive, 5-4

initialization, 2-69

initialized sections, 2-70, 4-2

- .const, 4-2

- .text, 4-2

- .cinit, 4-2

initializing global variables, C language, 3-18  
initializing static variables, C language, 3-18  
\_INLINE, 2-31, 2-46  
inline assembly construct (asm), 4-28  
inline assembly language, 4-28  
inline functions, 2-44  
input/output definitions, 5-5  
integer division, 5-35  
interfacing C and assembly language, 4-22–4-29  
  asm statement, 4-28  
interlist utility, 2-49, 2-64  
  options, 2-64  
  using with optimizer, 2-40  
intermediate file, 2-57, 2-59  
interrupt handling, 4-30–4-31  
INTERRUPT pragma, 3-16  
intrinsic operators, 2-45  
  abs, 2-54  
  ansi\_ftoi, 2-54  
  fabs, 2-54  
  fast\_ftoi, 2-54  
  fast\_imult, 2-54  
  fast\_invf, 2-54  
  frieee, 2-54  
  labs, 2-54  
  toieee, 2-54  
inverse tangent of y/x, 5-27  
invoking the  
  C compiler, 2-3  
  C compiler tools individually, 2-56  
  code generator, 2-62  
  interlist utility, 2-49, 2-64  
  library build utility, 6-2  
  linker, 2-65  
  optimizer, 2-60  
  parser, 2-57  
isalnum function, 5-45  
isalpha function, 5-45  
isascii function, 5-45  
iscntrl function, 5-45  
isdigit function, 5-45  
isgraph function, 5-45  
islower function, 5-45  
isprint function, 5-45  
ispunct function, 5-45  
isspace function, 5-45

isupper function, 5-45  
isxdigit function, 5-45  
isxxx function, 5-5, 5-45

## K

-k compiler option, 2-12  
--k library build utility option, 6-2  
K&R, 2-16  
  compatibility, 3-1–3-25

## L

-l library build utility option, 6-2  
-l linker option, 2-25, 2-66, 2-68  
L\_tmpnam macro, 5-9  
labs function, 5-22  
  as intrinsic, 2-54  
ldexp function, 5-46  
ldiv function, 5-35  
ldiv\_t type, 5-10  
libraries, 5-2  
library build utility, 1-3, 6-1–6-6  
  optional object library, 6-2  
  options, 6-2  
limits  
  compiler, 3-24–3-25  
  floating-point types, 5-6  
  integer types, 5-6  
limits.h header, 5-6  
line and file information, suppressing, 2-17  
#line directive, 2-34  
\_\_LINE\_\_, 2-31  
linker, 2-57  
  invocation, 2-65  
  lnk30 command, 2-65  
  options  
    -a, 2-24  
    -ar, 2-24  
    -b, 2-24  
    -c, 2-24  
    -c override option, 2-67  
    -cr, 2-24  
    -e, 2-24  
    -f, 2-24  
    -g, 2-24  
    -h, 2-24

- `-heap`, 2-24
  - `-heap16`, 2-24
  - `-heap8`, 2-24
  - `-i`, 2-25
  - `-l`, 2-25
  - `-m`, 2-25
  - `-n`, 2-25
  - `-o`, 2-25
  - `-q`, 2-25
  - `-r`, 2-25
  - `-s`, 2-25
  - `-stack`, 2-25
  - `-u`, 2-25
  - `-v0`, 2-25
  - `-w`, 2-25
  - `-x`, 2-25
  - `-z` enabling option, 2-66
  - linker command file, 2-71–2-75
  - linking C code, 2-65–2-75
  - linking with the shell program, 2-66
  - listing file, 2-34
    - generating, 2-16
  - Ink30, 2-65, 2-66
  - loader, 3-18
  - local time, 5-11, 5-34
  - localtime function, 5-46, 5-52
  - log function, 5-46
  - log10 function, 5-47
  - long double data type, 3-5
  - longjmp function, 5-60
  - low-level I/O functions, 5-5
  - LSEEK I/O function, B-7
  - ltoa function, 5-47
- M**
- `-m` linker option, 2-25
  - `-ma` compiler option, 2-20
  - macro definitions, 2-31–2-32
  - macro expansions, 2-31–2-32
  - macros
    - SEEK\_CUR, 5-10
    - SEEK\_END, 5-10
    - SEEK\_SET, 5-10
    - stden, 5-10
    - stdin, 5-10
    - stdout, 5-10
  - malloc function, 4-4, 5-41, 5-48, 5-51
  - malloc16 function, 5-48
  - malloc8 function, 5-48
  - math.h header, 5-8, 5-14, 5-15
  - `-mb` compiler option, 2-20
  - `-mc` compiler option, 2-20
  - memchr function, 5-49
  - memcmp function, 5-49
  - memcpy function, 5-49
  - memmove function, 5-50
  - memory management functions
    - bmalloc, 5-29
    - calloc, 5-31
    - free, 5-41
    - malloc, 5-48
    - minit, 5-51
    - realloc, 5-57, 5-61
  - memory model, 4-2–4-6
    - dynamic memory allocation, 4-4
    - RAM model, 4-6
    - ROM model, 4-6
    - sections, 4-2
    - stack, 4-4
  - memory pool, 5-29, 5-48
    - reserved space, 4-3
  - MEMORY\_SIZE, 5-10
  - MEMORY\_SIZE constant, 4-4
  - memset function, 5-50
  - `-mf` compiler option, 2-21
  - `-mi` compiler option, 2-21
  - minit function, 5-51
  - minit16 function, 5-51
  - minit8 function, 5-51
  - mk30, 6-2
  - mktime function, 5-52
  - `-ml` compiler option, 2-21
  - `-mm` compiler option, 2-21
  - `-mn` compiler option, 2-22
  - modf function, 5-53
  - modular programming, 2-65
  - `-mp` compiler option, 2-22
  - `-mr` compiler option, 2-22
  - `-ms` compiler option, 2-22
  - `-mt` compiler option, 2-22
  - `-mtc` compiler option, 2-22
  - multibyte characters, 3-2

**N**

-n compiler option, 2-12  
 -n linker option, 2-25  
 natural logarithm, 5-46  
 NDEBUG macro, 5-4, 5-26  
 non-local jumps, 5-60  
 NULL macro, 5-9

**O**

.o extension, 2-4  
 -o linker option, 2-25, 2-66  
 .obj extension, 2-14  
 object libraries, 2-71  
 offsetof macro, 5-9  
 -oi compiler option, 2-26  
 -oi optimizer option, 2-26  
 -ol compiler option, 2-26  
 -ol optimizer option, 2-26  
 -ol0 compiler option, 2-26  
 -ol1 compiler option, 2-26  
 -ol2 compiler option, 2-26  
 -oN optimizer option, 2-27  
 -on optimizer option, 2-26  
 -oN0 compiler option, 2-27  
 -oN1 compiler option, 2-27  
 -oN2 compiler option, 2-27  
 -op optimizer option, 2-27  
 -op0 compiler option, 2-27  
 -op1 compiler option, 2-27  
 -op2 compiler option, 2-27  
 open file function, 5-39, 5-41  
 OPEN I/O function, B-8  
 .opt extension, 2-60  
 opt30, 2-60  
 optimization, A-1–A-15  
   general, A-1  
     *algebraic reordering*, A-9  
     *alias disambiguation*, A-9  
     *branch optimizations*, A-12  
     *common subexpression elimination*, A-10  
     *constant folding*, A-9  
     *control-flow simplification*, A-12  
     *copy propagation*, A-10


*inline function expansion*, A-15  
     *loop induction variable optimizations*, A-13  
     *loop invariant code motion*, A-15  
     *loop rotation*, A-15  
     *redundant assignment elimination*, A-10  
     *strength reduction*, A-13  
     *symbolic simplification*, A-9  
 information file, options, 2-27  
 library functions, options, 2-26  
 TMS320C30-specific, A-1  
   *autoincrement addressing*, A-4  
   *calls*, A-6  
   *cost-based register allocation*, A-4  
   *delayed branches*, A-6  
   *repeat blocks*, A-4  
   *returns*, A-6  
 optimizer  
   invoking, 2-60  
   options, 2-60, 2-61  
   parser output, 2-59  
   special considerations, 2-41  
   using with interlist utility, 2-40  
 options, 2-5–2-29  
   assembler, 2-23  
   code generator, 2-63  
   conventions, 2-5  
   file specifiers, 2-14  
   general, 2-12  
   optimizer, 2-26  
   parser, 2-16, 2-58  
   runtime-model, 2-20  
   summary table, 2-6  
   type-checking, 2-19  
 -os compiler option, 2-27, 2-50

**P**

-p? compiler option, 2-18, 2-34  
 parser, 2-56, 2-57  
   options, 2-16, 2-57, 2-58  
 parsing in two passes, 2-59  
 -pe compiler option, 2-16, 2-51, 2-52  
 perror function, 5-53  
 -pf parser option, 2-16  
 -pk compiler option, 2-16, 3-22, 3-23  
 -pl compiler option, 2-16, 2-34  
 -pm parser option, 2-17  
 -pn compiler option, 2-17, 2-34  
 -po compiler option, 2-17, 2-34



-po option, 2-59  
 pointer combinations, 3-22  
 position file indicator function, 5-59  
 pow function, 5-54  
 power, 5-54  
 pragma, 3-3
 

- CODE\_SECTION, , 3-12
- DATA\_SECTION, 3-13
- FUNC\_CANNOT\_INLINE, 3-13
- FUNC\_EXT\_CALLED, 3-14
- FUNC\_IS\_PURE, 3-14
- FUNC\_IS\_SYSTEM, 3-15
- FUNC\_NEVER\_RETURNS, 3-15
- FUNC\_NO\_GLOBAL\_ASG, 3-15
- FUNC\_NO\_IND\_ASG, 3-16
- INTERRUPT, 3-16

 predefined names, 2-31–2-32
 

- \_BIGMODEL, 2-31
- \_REGPARAM, 2-31
- C30, 2-31
- C31, 2-31
- C32, 2-31
- C3x, 2-31
- C40, 2-31
- C44, 2-31
- C4x, 2-31
- DATE, 2-31
- FILE, 2-31
- \_INLINE, 2-31, 2-46
- LINE, 2-31
- STDC, 2-31
- TIME, 2-31
- TMS320C30, 2-31
- TMS320C31, 2-31
- TMS320C32, 2-31
- TMS320C3x, 2-31
- TMS320C40, 2-31
- TMS320C44, 2-31
- TMS320C4x, 2-31

 preinitialized variables, 3-18  
 preprocess only, 2-17  
 preprocessed listing file, 2-34  
 preprocessor, 2-30–2-34
 

- environment variable, 2-33
- listing file, 2-16
- predefining name, 2-12
- symbols, 2-31

 preprocessor directives, 2-30
 

- C language, 3-3

trailing tokens, 3-23  
 printf function, 5-54  
 program termination functions
 

- abort (exit), 5-22
- atexit, 5-27
- exit, 5-36

 prototype listing file, 2-16  
 pseudorandom, 5-57  
 ptrdiff\_t type, 3-2, 5-9  
 putchar function, 5-54  
 putchar function, 5-55  
 puts function, 5-55  
 -pw option, 2-52

## Q

-q compiler option, 2-3, 2-13  
 -q interlist utility option, 2-64  
 - -q library build utility option, 6-2  
 -q linker option, 2-25  
 -qq compiler option, 2-13  
 qsort function, 5-56

## R

-r interlist utility option, 2-64  
 -r linker option, 2-25  
 RAM model of autoinitialization, 4-6  
 RAM model of initialization, 2-69  
 rand function, 5-57  
 RAND\_MAX macro, 5-10  
 read
 

- character functions
  - multiple characters*, 5-38
  - next character function*, 5-43, 5-44
  - single character*, 5-38
- stream functions
  - from standard input*, 5-59
  - from string to array*, 5-40
  - string*, 5-42, 5-63

 read function, 5-44  
 READ I/O function, B-9  
 realloc function, 4-4, 5-41, 5-51, 5-57, 5-61  
 realloc16 function, 5-58  
 realloc8 function, 5-58  
 recoverable errors, 2-51

- register conventions, 4-11–4-14
  - register variables, 4-12
- register storage class, 3-3
- register variables, 4-12
  - C language, 3-10
- \_REGPARM, 2-31
- remove function, 5-58
- rename function, 5-58
- RENAME I/O function, B-9
- rewind function, 5-59
- ROM model of autoinitialization, 4-6
- ROM model of initialization, 2-69
- rts.lib, 2-68, 2-69, 5-1
- rts.src, 5-1, 5-2, 5-10, 6-1
- rts30.lib, 2-35, 2-66
- rts30g.lib, 2-35
- rts30gr.lib, 2-35
- rts30r.lib, 2-35
- rts40.lib, 2-35, 2-66
- rts40g.lib, 2-35
- rts40gr.lib, 2-35
- rts40r.lib, 2-35
- runtime environment, 4-1–4-40
  - defining variables in assembly language, 4-25
  - function call conventions, 4-15–4-21
  - inline assembly language, 4-28
  - interfacing C with assembly language, 4-22–4-29
  - interrupt handling, 4-30–4-31
  - memory model
    - dynamic memory allocation*, 4-4
    - RAM model*, 4-6
    - ROM model*, 4-6
    - sections*, 4-2
  - precision considerations, 4-35
  - register conventions, 4-11–4-14
  - stack, 4-4
  - system initialization, 4-36–4-40
- runtime-model options, 2-20
- runtime–support libraries, 2-35, 2-66, 2-68, 6-1
- runtime-support functions, 5-1–5-21
  - summary table, 5-13–5-21
- runtime-support libraries, 5-2
- S**
- s compiler option, 2-13, 2-50
- s linker option, 2-25
- scanf function, 5-59
- searches, 5-30
- sections, 4-2
  - .bss, 4-3
  - .cinit, 4-38
  - .data, 4-3
  - .stack, 4-3
  - .system, 4-3
  - .text, 4-3
- SEEK\_CUR macro, 5-10
- SEEK\_END macro, 5-10
- SEEK\_SET macro, 5-10
- set file-position functions
  - fseek function, 5-42
  - fsetpos function, 5-43
- setbuf function, 5-59
- setjmp function, 5-60
- setvbuf function, 5-61
- shell program, 2-3–2-4
  - i option, 2-33
  - C\_OPTION environment variable, 2-28
  - enabling linking, 2-13
  - keeping the assembly language file, 2-12
  - overview, 2-2
  - suppressing the linking option, 2-12
- shift, 3-3
- sinh function, 5-62
- size\_t type, 3-2, 5-9
- small memory model, 2-20
- software development tools, 1-2–1-4
- sorts, 5-56
- source file extensions
  - assembler files, 2-15
  - C source files, 2-15
  - object files, 2-15
- SP register, 4-4
- specifying filenames, 2-4, 2-14
- sprintf function, 5-62
- sqrt function, 5-62
- square root, 5-62
- srand function, 5-57
- ss compiler option, 2-13, 2-49, 2-50
- sscanf function, 5-63
- stack, 4-3
  - reserved space, 4-3
- stack linker option, 2-25

- stack management, 4-4
  - stack pointer, 4-4
  - .stack section, 4-3
  - STACK\_SIZE constant, 4-4
  - static variables, 3-18
    - reserved space, 4-3
  - stdarg.h header, 5-8, 5-15
  - \_\_STDC\_\_, 2-31
  - stddef.h header, 5-9
  - stden macro, 5-10
  - stdin macro, 5-10
  - stdio.h header, 5-15
    - described, 5-9
  - stdlib.h header, 5-10, 5-17
  - stdout macro, 5-10
  - store object function, 5-38
  - strcat function, 5-63
  - strchr function, 5-64
  - strcmp function, 5-64
  - strcoll function, 5-64
  - strcpy function, 5-65
  - strcspn function, 5-65
  - strerror function, 5-66
  - strftime function, 5-66
  - string copy, 5-70
  - string functions, 5-11, 5-19
    - memchr, 5-49
    - memcmp, 5-49
    - memcpy, 5-49
    - memmove, 5-50
    - memset, 5-50
    - strcat, 5-63
    - strchr, 5-64
    - strcmp, 5-64
    - strcoll, 5-64
    - strcpy, 5-65
    - strcspn, 5-65
    - strerror, 5-66
    - strlen, 5-67
    - strncat, 5-68
    - strncmp, 5-69
    - strncpy, 5-70
    - strpbrk, 5-71
    - strrchr, 5-71
    - strspn, 5-72
    - strstr, 5-72
    - strtok, 5-74
  - string.h header, 5-11, 5-19
  - strlen function, 5-67
  - strncat function, 5-68
  - strncmp function, 5-69
  - strncpy function, 5-70
  - strpbrk function, 5-71
  - strrchr function, 5-71
  - strspn function, 5-72
  - strstr function, 5-72
  - strtod function, 5-73
  - strtok function, 5-74
  - strtol function, 5-73
  - strtoul function, 5-73
  - structure members, 3-3
  - strxfrm function, 5-74
  - STYP\_CPY flag, 2-70
  - suppress
    - all output except error messages, 2-13
    - banner information, 2-13
    - line and file information, 2-17
    - linker option, 2-12
  - suppressing warning messages, 2-52
  - .switch section, 2-70–2-75
  - symbolic debugging, 2-64
  - symbolic debugging directives, 2-12
  - .system section, 4-3
  - system constraints
    - MEMORY\_SIZE, 4-4
    - STACK\_SIZE, 4-4
  - system initialization, 4-36–4-40
    - autoinitialization, 4-37
  - system stack, 4-3
- T**
- tan function, 5-75
  - tangent, 5-75
  - tanh function, 5-75
  - target processor, 2-13
  - temporary file creation function, 5-76
  - tentative definition, 3-23
  - test EOF function, 5-37
  - test error function, 5-37
  - .text section, 2-70, 4-2

- tf compiler option, 2-19
- The C Programming Language, 3-1–3-25
- time, 5-25
- time function, 5-76
- time functions, 5-11, 5-20
  - asctime, 5-25
  - clock, 5-33
  - ctime, 5-34
  - difftime, 5-34
  - gmtime, 5-44
  - localtime, 5-46
  - mktime, 5-52
  - strftime, 5-66
  - time, 5-76
- time.h header, 5-11, 5-20
- \_\_TIME\_\_, 2-31
- time\_t type, 5-11
- tm structure, 5-11
- tm type. *See* broken-down time
- TMP environment variable, 2-28
  - overriding, 2-29
- TMP\_MAX macro, 5-9
- tmpfile function, 5-76
- tmpnam function, 5-76
- \_TMS320C30, 2-31
- \_TMS320C31, 2-31
- \_TMS320C32, 2-31
- \_TMS320C3x, 2-31
- TMS320C3x/C4x C language, compatibility with
  - ANSI C language, 3-22–3-23
- \_TMS320C40, 2-31
- \_TMS320C44, 2-31
- \_TMS320C4x, 2-31
- toascii function, 5-76
- toieee intrinsic, 2-54
- tokens, 5-74
- tolower function, 5-77
- toupper function, 5-77
- tp compiler option, 2-19
- trailing comma, enumerator list, 3-23
- trailing tokens, preprocessor directives, 3-23
- translation phases, 2-34
- trigonometric math function, 5-8
- trigraph expansion, 2-18
- trigraph sequences, 2-34

- type-checking, pointer combinations, 2-19
- type-checking options, 2-19
  - tf, 2-19
  - tp, 2-19

## U

- u compiler option, 2-13
- u library build utility option, 6-3
- u linker option, 2-25
- ungetc function, 5-77
- uninitialized sections, 2-70, 4-3
  - .bss, 4-3
- UNLINK I/O function, B-10

## V

- v compiler option, 2-13
- v library build utility option, 6-3
- v0 linker option, 2-25
- va\_arg function, 5-78
- va\_end function, 5-78
- va\_start function, 5-78
- variable argument functions and macros, 5-8, 5-15
- variable-argument function, 5-78
- variable-argument functions and macros
  - va\_arg, 5-78
  - va\_end, 5-78
  - va\_start, 5-78
- vfprintf function, 5-79
- volatile, 2-41
- vprintf function, 5-79
- vsprintf function, 5-79

## W

- w linker option, 2-25
- warning messages, 2-51
  - suppressing, 2-52
- warnings messages, 3-22
- wildcard, 2-4
- write block of data function, 5-43
- write functions
  - fprintf, 5-40
  - fputc, 5-40
  - fputs, 5-40

printf, 5-54  
putc, 5-54  
putchar, 5-55  
puts, 5-55  
sprintf, 5-62  
ungetc, 5-77  
vfprintf, 5-79  
vprintf, 5-79  
vsprintf, 5-79

WRITE I/O function, B-10

**X**

-x compiler option, 2-18  
-x inlining option, 2-18  
-x linker option, 2-25

**Z**

-z code generator option, 2-63  
-z compiler option, 2-3, 2-13, 2-28, 2-65, 2-66  
overriding, 2-28